



Dual 4-input NAND Gate

CJ74HC/HCT20 Logic

1 Introduction

The CJ74HC/HCT20 is a dual 4-input NAND gate. Inputs include clamp diodes. This enables the use of current limiting resistors to interface inputs to voltages in excess of V_{cc} .

2 Available Packages

PART NUMBER	PACKAGE
CJ74HC20	SOP14
	TSSOP14
CJ74HCT20	SOP14
	TSSOP14

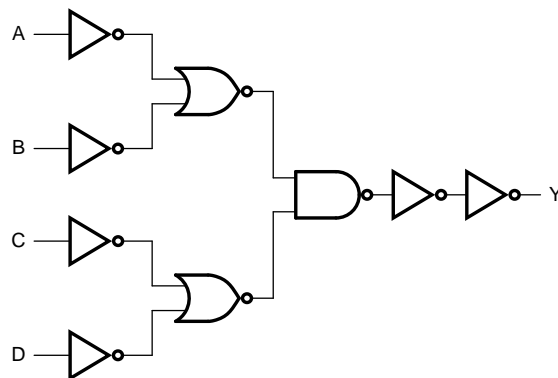
Note: For all available packages, please refer to the part Orderable Information.

3 Features

- Input levels:
 - For CJ74HC20: CMOS level
 - For CJ74HCT20: TTL level
- Specified from -40°C to $+125^{\circ}\text{C}$

4 Applications

- Alarm / tamper detect circuit
- S-R latch



Logic diagram

5 Orderable Information

DEVICE	PACKAGE	OP TEMP	ECO PLAN	MSL	PACKING OPTION	SORT
CJ74HC20ADN	SOP14	-40~125°C	RoHS & Green	Level 3 168HR	Tape and Reel 4000 Units / Reel	Active
CJ74HCT20ADN	SOP14	-40~125°C	RoHS & Green	Level 3 168HR	Tape and Reel 4000 Units / Reel	Active
CJ74HC20BDN	TSSOP14	-40~125°C	RoHS & Green	Level 3 168HR	Tape and Reel 5000 Units / Reel	Active
CJ74HCT20BDN	TSSOP14	-40~125°C	RoHS & Green	Level 3 168HR	Tape and Reel 5000 Units / Reel	Active

Note:

ECO PLAN: For the RoHS and Green certification standards of this product, please refer to the official report provided by JSCJ.

MSL: Moisture Sensitivity Level. Determined according to JEDEC industry standard classification.

SORT: Specifically defined as follows:

Active: Recommended for new products;

Customized: Products manufactured to meet the specific needs of customers;

Preview: The device has been released and has not been fully mass produced. The sample may or may not be available;

NoRD: It is not recommended to use the device for new design. The device is only produced for the needs of existing customers;

Obsolete: The device has been discontinued.

6 Pin Configuration and Marking Information

6.1 Pin Configuration

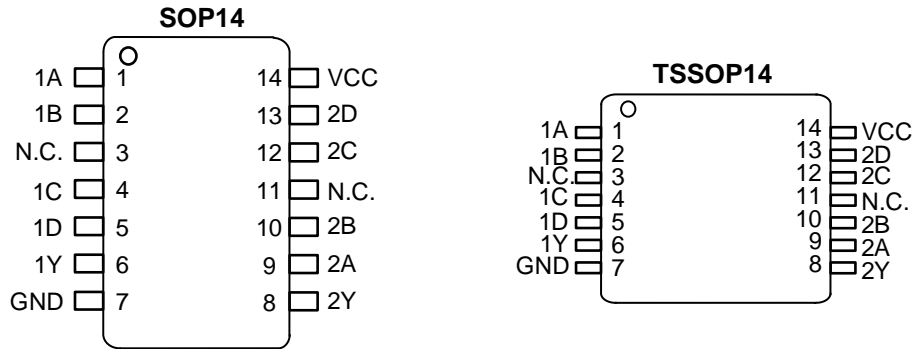


Figure 6-1 Pin configuration

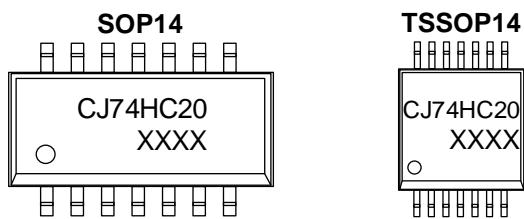
6.2 Pin Function

PIN		I/O ⁽¹⁾	DESCRIPTION
No.	NAME		
1	1A	I	Data input
2	1B	I	Data input
3	N.C.	-	Not connected
4	1C	I	Data input
5	1D	I	Data input
6	1Y	O	Data output
7	GND	G	Ground (0V)
8	2Y	O	Data output
9	2A	I	Data input
10	2B	I	Data input
11	N.C.	-	Not connected
12	2C	I	Data input
13	2D	I	Data input
14	VCC	P	Supply voltage

(1) I-Input, O-Output, P-Power, G-Ground

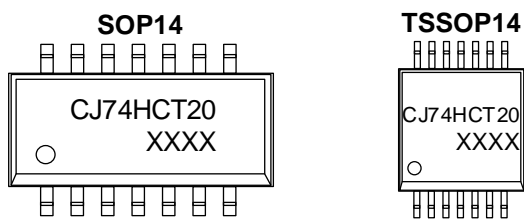
6.3 Marking Information

6.3.1 CJ74HC20



XXXX: Code, indicates weekly record information.

6.3.2 CJ74HCT20



XXXX: Code, indicates weekly record information.

7 Electrical Parameter

7.1 Absolute Maximum Ratings

Voltages are referenced to GND (ground=0V), unless otherwise specified.

SYMBOL	PARAMETER	CONDITIONS		MIN.	MAX.	UNIT
V _{CC}	Supply voltage	-		-0.5	+7	V
I _{IK}	Input clamping current	V _I <-0.5V or V _I >V _{CC} +0.5V		-	±20	mA
I _{OK}	Output clamping current	V _O <-0.5V or V _O >V _{CC} +0.5V		-	±20	mA
I _O	Output current	-0.5V<V _O <V _{CC} +0.5V		-	±25	mA
I _{CC}	Supply current	-		-	50	mA
I _{GND}	Ground current	-		-50	-	mA
P _{tot}	Total power dissipation	-		-	500	mW
T _{stg}	Storage temperature	-		-65	+150	°C
T _L	Soldering temperature	10s	SOP/TSSOP	-	260	°C

Note: Absolute maximum ratings indicate sustained limits beyond which damage to the device may occur. All voltage parameters are absolute voltages referenced to GND. The thermal resistance and power dissipation ratings are measured under board mounted and still air conditions.

7.2 Recommended Operating Conditions

SYMBOL	PARAMETER	CONDITIONS	MIN.	TYP.	MAX.	UNIT
CJ74HC20						
V _{CC}	Supply voltage	-	2.0	5.0	6.0	V
V _I	Input voltage	-	0	-	V _{CC}	V
V _O	Output voltage	-	0	-	V _{CC}	V
Δt/ΔV	Input transition rise and fall rate	V _{CC} =2.0V	-	-	625	ns/V
		V _{CC} =4.5V	-	1.67	139	ns/V
		V _{CC} =6.0V	-	-	83	ns/V
T _{amb}	Ambient temperature	-	-40	-	+125	°C
CJ74HCT20						
V _{CC}	Supply voltage	-	4.5	5.0	5.5	V
V _I	Input voltage	-	0	-	V _{CC}	V
V _O	Output voltage	-	0	-	V _{CC}	V
Δt/ΔV	Input transition rise and fall rate	V _{CC} =4.5V	-	1.67	139	ns/V
T _{amb}	Ambient temperature	-	-40	-	+125	°C

7.3 Electrical Characteristics
7.3.1 DC Characteristics 1
 $T_{amb}=25^{\circ}\text{C}$, voltages are referenced to GND (ground=0V), unless otherwise specified.

SYMBOL	PARAMETER	CONDITIONS	MIN.	TYP.	MAX.	UNIT	
CJ74HC20							
V_{IH}	HIGH-level input voltage	$V_{CC}=2.0\text{V}$	1.5	-	-	V	
		$V_{CC}=4.5\text{V}$	3.15	-	-	V	
		$V_{CC}=6.0\text{V}$	4.2	-	-	V	
V_{IL}	LOW-level input voltage	$V_{CC}=2.0\text{V}$	-	-	0.5	V	
		$V_{CC}=4.5\text{V}$	-	-	1.35	V	
		$V_{CC}=6.0\text{V}$	-	-	1.8	V	
V_{OH}	HIGH-level output voltage	$V_I=V_{IH}$ or V_{IL}	$I_O=-20\mu\text{A}; V_{CC}=2.0\text{V}$	1.9	2.0	-	V
			$I_O=-20\mu\text{A}; V_{CC}=4.5\text{V}$	4.4	4.5	-	V
			$I_O=-20\mu\text{A}; V_{CC}=6.0\text{V}$	5.9	6.0	-	V
			$I_O=-4.0\text{mA}; V_{CC}=4.5\text{V}$	3.98	4.32	-	V
			$I_O=-5.2\text{mA}; V_{CC}=6.0\text{V}$	5.48	5.81	-	V
V_{OL}	LOW-level output voltage	$V_I=V_{IH}$ or V_{IL}	$I_O=20\mu\text{A}; V_{CC}=2.0\text{V}$	-	0	0.1	V
			$I_O=20\mu\text{A}; V_{CC}=4.5\text{V}$	-	0	0.1	V
			$I_O=20\mu\text{A}; V_{CC}=6.0\text{V}$	-	0	0.1	V
			$I_O=4.0\text{mA}; V_{CC}=4.5\text{V}$	-	0.15	0.26	V
			$I_O=5.2\text{mA}; V_{CC}=6.0\text{V}$	-	0.16	0.26	V
I_I	Input leakage current	$V_I=V_{CC}$ or GND; $V_{CC}=6.0\text{V}$	-	-	± 1	μA	
I_{CC}	Supply current	$V_I=V_{CC}$ or GND; $I_O=0\text{A}; V_{CC}=6.0\text{V}$	-	-	2.0	μA	
C_I	Input capacitance	-	-	3.5	-	pF	
CJ74HCT20							
V_{IH}	HIGH-level input voltage	$V_{CC}=4.5\text{V}$ to 5.5V	2.0	-	-	V	
V_{IL}	LOW-level input voltage	$V_{CC}=4.5\text{V}$ to 5.5V	-	-	0.8	V	
V_{OH}	HIGH-level output voltage	$V_I=V_{IH}$ or V_{IL}	$I_O=-20\mu\text{A}; V_{CC}=4.5\text{V}$	4.4	4.5	-	V
			$I_O=-4.0\text{mA}; V_{CC}=4.5\text{V}$	3.98	4.32	-	V
V_{OL}	LOW-level output voltage	$V_I=V_{IH}$ or V_{IL}	$I_O=20\mu\text{A}; V_{CC}=4.5\text{V}$	-	0	0.1	V
			$I_O=5.2\text{mA}; V_{CC}=4.5\text{V}$	-	0.15	0.26	V
I_I	Input leakage current	$V_I=V_{CC}$ or GND; $V_{CC}=5.5\text{V}$	-	-	± 1	μA	
I_{CC}	Supply current	$V_I=V_{CC}$ or GND; $I_O=0\text{A}; V_{CC}=5.5\text{V}$	-	-	2.0	μA	
ΔI_{CC}	Additional supply current	Per input pin; $V_I=V_{CC}-2.1\text{V}; I_O=0\text{A}$; Other inputs at V_{CC} or GND; $V_{CC}=4.5\text{V}$ to 5.5V	-	-	108	μA	
C_I	Input capacitance	-	-	3.5	-	pF	

7.3.2 DC Characteristics 2

Tamb=-40°C to +85°C, voltages are referenced to GND (ground=0V), unless otherwise specified.

SYMBOL	PARAMETER	CONDITIONS	MIN.	TYP.	MAX.	UNIT	
CJ74HC20							
V _{IH}	HIGH-level input voltage	V _{CC} =2.0V	1.5	-	-	V	
		V _{CC} =4.5V	3.15	-	-	V	
		V _{CC} =6.0V	4.2	-	-	V	
V _{IL}	LOW-level input voltage	V _{CC} =2.0V	-	-	0.5	V	
		V _{CC} =4.5V	-	-	1.35	V	
		V _{CC} =6.0V	-	-	1.8	V	
V _{OH}	HIGH-level output voltage	V _I =V _{IH} or V _{IL}	I _O =-20uA; V _{CC} =2.0V	1.9	-	-	V
			I _O =-20uA; V _{CC} =4.5V	4.4	-	-	V
			I _O =-20uA; V _{CC} =6.0V	5.9	-	-	V
			I _O =-4.0mA; V _{CC} =4.5V	3.84	-	-	V
			I _O =-5.2mA; V _{CC} =6.0V	5.34	-	-	V
V _{OL}	LOW-level output voltage	V _I =V _{IH} or V _{IL}	I _O =20uA; V _{CC} =2.0V	-	-	0.1	V
			I _O =20uA; V _{CC} =4.5V	-	-	0.1	V
			I _O =20uA; V _{CC} =6.0V	-	-	0.1	V
			I _O =4.0mA; V _{CC} =4.5V	-	-	0.33	V
			I _O =5.2mA; V _{CC} =6.0V	-	-	0.33	V
I _I	Input leakage current	V _I = V _{CC} or GND; V _{CC} =6.0V	-	-	±1	uA	
I _{CC}	Supply current	V _I = V _{CC} or GND; I _O =0A; V _{CC} =6.0V	-	-	20	uA	
CJ74HCT20							
V _{IH}	HIGH-level input voltage	V _{CC} =4.5V to 5.5V	2.0	-	-	V	
V _{IL}	LOW-level input voltage	V _{CC} =4.5V to 5.5V	-	-	0.8	V	
V _{OH}	HIGH-level output voltage	V _I =V _{IH} or V _{IL}	I _O =-20uA; V _{CC} =4.5V	4.4	-	-	V
			I _O =-4.0mA; V _{CC} =4.5V	3.84	-	-	V
V _{OL}	LOW-level output voltage	V _I =V _{IH} or V _{IL}	I _O =20uA; V _{CC} =4.5V	-	-	0.1	V
			I _O =5.2mA; V _{CC} =4.5V	-	-	0.33	V
I _I	Input leakage current	V _I = V _{CC} or GND; V _{CC} =5.5V	-	-	±1	uA	
I _{CC}	Supply current	V _I = V _{CC} or GND; I _O =0A; V _{CC} =5.5V	-	-	20	uA	
ΔI _{CC}	Additional supply current	Per input pin; V _I =V _{CC} -2.1V; I _O =0A; Other inputs at V _{CC} or GND; V _{CC} =4.5V to 5.5V	-	-	135	uA	

7.3.3 DC Characteristics 3

$T_{amb} = -40^{\circ}\text{C}$ to $+125^{\circ}\text{C}$, voltages are referenced to GND (ground=0V), unless otherwise specified.

SYMBOL	PARAMETER	CONDITIONS	MIN.	TYP.	MAX.	UNIT	
CJ74HC20							
V_{IH}	HIGH-level input voltage	$V_{CC}=2.0\text{V}$	1.5	-	-	V	
		$V_{CC}=4.5\text{V}$	3.15	-	-	V	
		$V_{CC}=6.0\text{V}$	4.2	-	-	V	
V_{IL}	LOW-level input voltage	$V_{CC}=2.0\text{V}$	-	-	0.5	V	
		$V_{CC}=4.5\text{V}$	-	-	1.35	V	
		$V_{CC}=6.0\text{V}$	-	-	1.8	V	
V_{OH}	HIGH-level output voltage	$V_I = V_{IH}$ or V_{IL}	$I_o = -20\mu\text{A}; V_{CC} = 2.0\text{V}$	1.9	-	-	V
			$I_o = -20\mu\text{A}; V_{CC} = 4.5\text{V}$	4.4	-	-	V
			$I_o = -20\mu\text{A}; V_{CC} = 6.0\text{V}$	5.9	-	-	V
			$I_o = -4.0\text{mA}; V_{CC} = 4.5\text{V}$	3.7	-	-	V
			$I_o = -5.2\text{mA}; V_{CC} = 6.0\text{V}$	5.2	-	-	V
V_{OL}	LOW-level output voltage	$V_I = V_{IH}$ or V_{IL}	$I_o = 20\mu\text{A}; V_{CC} = 2.0\text{V}$	-	-	0.1	V
			$I_o = 20\mu\text{A}; V_{CC} = 4.5\text{V}$	-	-	0.1	V
			$I_o = 20\mu\text{A}; V_{CC} = 6.0\text{V}$	-	-	0.1	V
			$I_o = 4.0\text{mA}; V_{CC} = 4.5\text{V}$	-	-	0.4	V
			$I_o = 5.2\text{mA}; V_{CC} = 6.0\text{V}$	-	-	0.4	V
I_I	Input leakage current	$V_I = V_{CC}$ or GND; $V_{CC} = 6.0\text{V}$	-	-	± 1	μA	
I_{CC}	Supply current	$V_I = V_{CC}$ or GND; $I_o = 0\text{A}; V_{CC} = 6.0\text{V}$	-	-	40	μA	
CJ74HCT20							
V_{IH}	HIGH-level input voltage	$V_{CC} = 4.5\text{V}$ to 5.5V	2.0	-	-	V	
V_{IL}	LOW-level input voltage	$V_{CC} = 4.5\text{V}$ to 5.5V	-	-	0.8	V	
V_{OH}	HIGH-level output voltage	$V_I = V_{IH}$ or V_{IL}	$I_o = -20\mu\text{A}; V_{CC} = 4.5\text{V}$	4.4	-	-	V
			$I_o = -4.0\text{mA}; V_{CC} = 4.5\text{V}$	3.7	-	-	V
V_{OL}	LOW-level output voltage	$V_I = V_{IH}$ or V_{IL}	$I_o = 20\mu\text{A}; V_{CC} = 4.5\text{V}$	-	-	0.1	V
			$I_o = 5.2\text{mA}; V_{CC} = 4.5\text{V}$	-	-	0.4	V
I_I	Input leakage current	$V_I = V_{CC}$ or GND; $V_{CC} = 5.5\text{V}$	-	-	± 1	μA	
I_{CC}	Supply current	$V_I = V_{CC}$ or GND; $I_o = 0\text{A}; V_{CC} = 5.5\text{V}$	-	-	40	μA	
ΔI_{CC}	Additional supply current	Per input pin; $V_I = V_{CC} - 2.1\text{V}; I_o = 0\text{A};$ Other inputs at V_{CC} or GND; $V_{CC} = 4.5\text{V}$ to 5.5V	-	-	147	μA	

7.3.4 AC Characteristics 1

T_{amb}=25°C, voltages are referenced to GND (ground=0V), unless otherwise specified.

SYMBOL	PARAMETER	CONDITIONS	MIN.	TYP.	MAX.	UNIT	
CJ74HC20							
t _{pd}	nA, nB to nY propagation delay	See Figure 8-6 ⁽¹⁾	V _{CC} =2.0V	-	28	90	ns
			V _{CC} =4.5V	-	10	18	ns
			V _{CC} =5.0V;C _L =15pF	-	8	-	ns
			V _{CC} =6.0V	-	8	15	ns
t _t	Transition time	See Figure 8-6 ⁽²⁾	V _{CC} =2.0V	-	19	75	ns
			V _{CC} =4.5V	-	7	15	ns
			V _{CC} =6.0V	-	6	13	ns
C _{PD}	Power dissipation capacitance	Per package; V _I =GND to V _{CC} ⁽³⁾	-	22	-	pF	
CJ74HCT20							
t _{pd}	nA, nB to nY propagation delay	See Figure 8-6 ⁽¹⁾	V _{CC} =4.5V	-	16	28	ns
			V _{CC} =5.0V;C _L =15pF	-	13	-	ns
t _t	Transition time	See Figure 8-6 ⁽²⁾	V _{CC} =4.5V	-	7	15	ns
C _{PD}	Power dissipation capacitance	Per package; V _I =GND to V _{CC} -1.5V ⁽³⁾	-	17	-	pF	

(1) t_{pd} is the same as t_{PLH} and t_{PHL}.

(2) t_t is the same as t_{THL} and t_{TLH}.

(3) C_{PD} is used to determine the dynamic power dissipation (P_D in uW).

$$P_D = (C_{PD} \times V_{CC}^2 \times f_i \times N) + \sum (C_L \times V_{CC}^2 \times f_o) \text{ where:}$$

f_i=input frequency in MHz;

f_o=output frequency in MHz;

C_L=output load capacitance in pF;

V_{CC}=supply voltage in V;

N=number of inputs switching;

$\sum (C_L \times V_{CC}^2 \times f_o)$ =sum of outputs.

7.3.5 AC Characteristics 2

T_{amb}=-40°C to +85°C, voltages are referenced to GND (ground=0V), unless otherwise specified.

SYMBOL	PARAMETER	CONDITIONS	MIN.	TYP.	MAX.	UNIT	
CJ74HC20							
t _{pd}	nA, nB to nY propagation delay	See Figure 8-6 ⁽¹⁾	V _{CC} =2.0V	-	-	115	ns
			V _{CC} =4.5V	-	-	23	ns
			V _{CC} =6.0V	-	-	20	ns
t _t	Transition time	See Figure 8-6 ⁽²⁾	V _{CC} =2.0V	-	-	95	ns
			V _{CC} =4.5V	-	-	19	ns
			V _{CC} =6.0V	-	-	16	ns
CJ74HCT20							
t _{pd}	nA, nB to nY propagation delay	See Figure 8-6 ⁽¹⁾	V _{CC} =4.5V	-	-	35	ns
t _t	Transition time	See Figure 8-6 ⁽²⁾	V _{CC} =4.5V	-	-	19	ns

(1) t_{pd} is the same as t_{PLH} and t_{PHL}.

(2) t_t is the same as t_{THL} and t_{TLH}.

7.3.6 AC Characteristics 3

T_{amb}=-40°C to +125°C, voltages are referenced to GND (ground=0V), unless otherwise specified.

SYMBOL	PARAMETER	CONDITIONS	MIN.	TYP.	MAX.	UNIT	
CJ74HC20							
t _{pd}	nA, nB to nY propagation delay	See Figure 8-6 ⁽¹⁾	V _{CC} =2.0V	-	-	135	ns
			V _{CC} =4.5V	-	-	27	ns
			V _{CC} =6.0V	-	-	23	ns
t _t	Transition time	See Figure 8-6 ⁽²⁾	V _{CC} =2.0V	-	-	110	ns
			V _{CC} =4.5V	-	-	22	ns
			V _{CC} =6.0V	-	-	19	ns
CJ74HCT20							
t _{pd}	nA, nB to nY propagation delay	See Figure 8-6 ⁽¹⁾	V _{CC} =4.5V	-	-	42	ns
t _t	Transition time	See Figure 8-6 ⁽²⁾	V _{CC} =4.5V	-	-	22	ns

(1) t_{pd} is the same as t_{PLH} and t_{PHL}.

(2) t_t is the same as t_{THL} and t_{TLH}.

8 Detailed Description

8.1 Overview

The CJ74HC/HCT20 is a dual 4-input NAND gate. Inputs include clamp diodes. This enables the use of current limiting resistors to interface inputs to voltages in excess of V_{CC} .

8.2 Functional Block Diagram

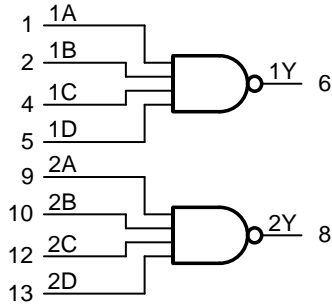


Figure 8-1 Logic symbol

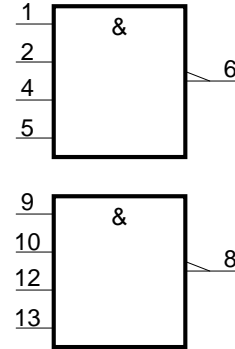


Figure 8-2 IEC logic symbol

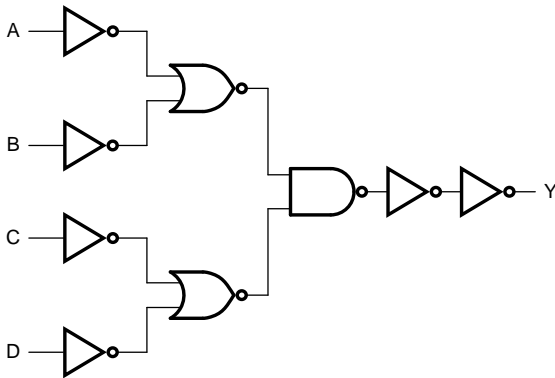


Figure 8-3 Logic diagram for one gate

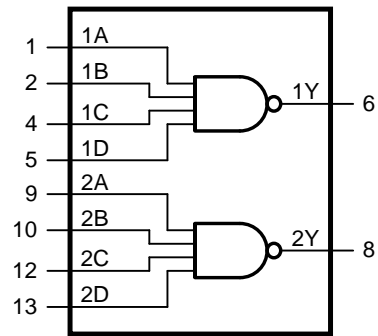


Figure 8-4 Functional diagram

8.3 Function Table⁽¹⁾

INPUT				OUTPUT
nA	nB	nC	nD	nY
L	X	X	X	H
X	L	X	X	H
X	X	L	X	H
X	X	X	L	H
H	H	H	H	L

(1) H=HIGH voltage level; L=LOW voltage level; X=don't care.

8.4 Testing Circuit

8.4.1 AC Testing Circuit

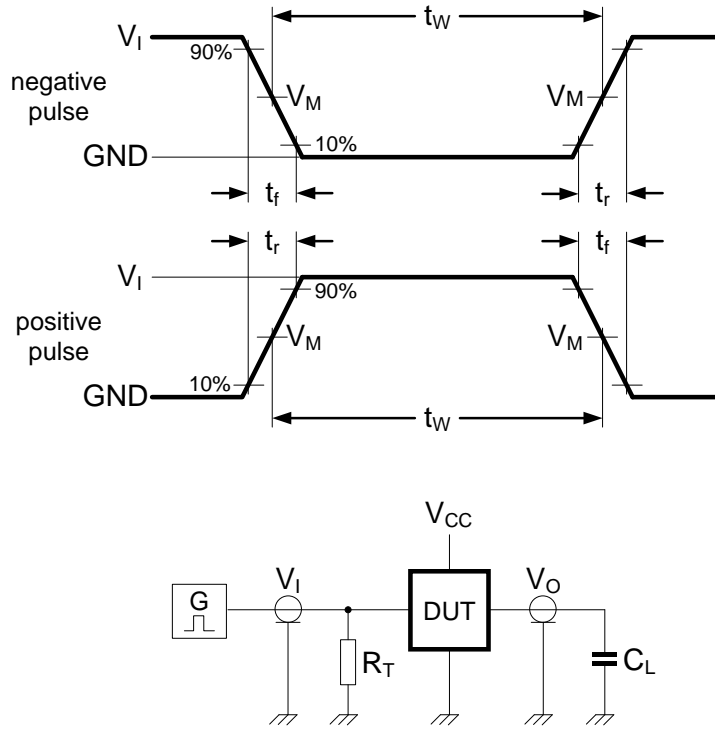


Figure 8-5 Test circuit for measuring switching times

Definitions for test circuit:

C_L =load capacitance including jig and probe capacitance.

R_T =termination resistance should be equal to the output impedance Z_o of the pulse generator.

8.4.2 AC Testing Waveforms

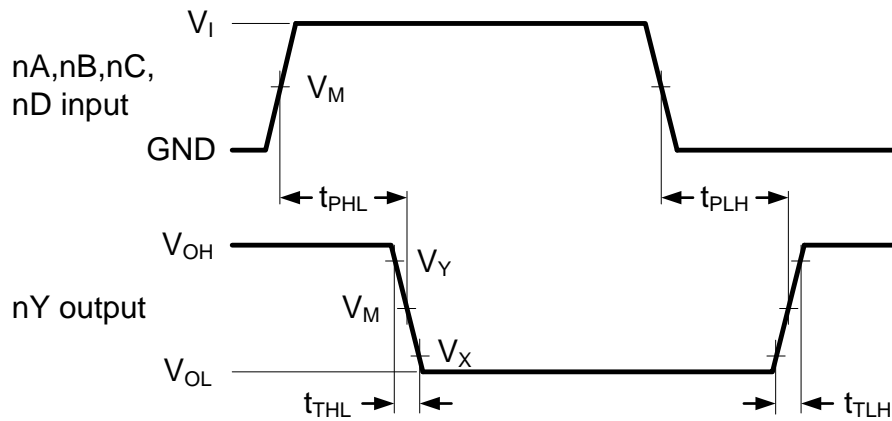


Figure 8-6 Input to output propagation delays

8.4.3 Measurement Points

TYPE	INPUT	OUTPUT		
	V_M	V_M	V_X	V_Y
CJ74HC20	$0.5 \times V_{CC}$	$0.5 \times V_{CC}$	$0.1 \times V_{CC}$	$0.9 \times V_{CC}$
CJ74HCT20	1.3V	1.3V	$0.1 \times V_{CC}$	$0.9 \times V_{CC}$

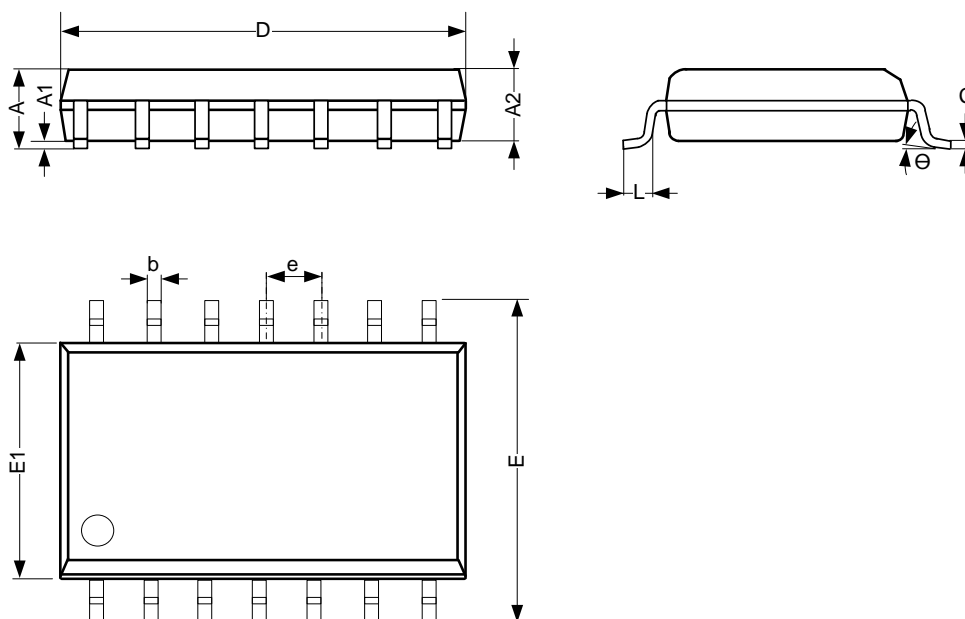
8.4.4 Test Data

TYPE	INPUT		LOAD	TEST
	V_I	t_r, t_f	C_L	
CJ74HC20	V_{CC}	6.0ns	15pF, 50pF	t_{PLH}, t_{PHL}
CJ74HCT20	3.0V	6.0ns	15pF, 50pF	t_{PLH}, t_{PHL}

9 Mechanical Information

9.1 SOP14 Mechanical Information

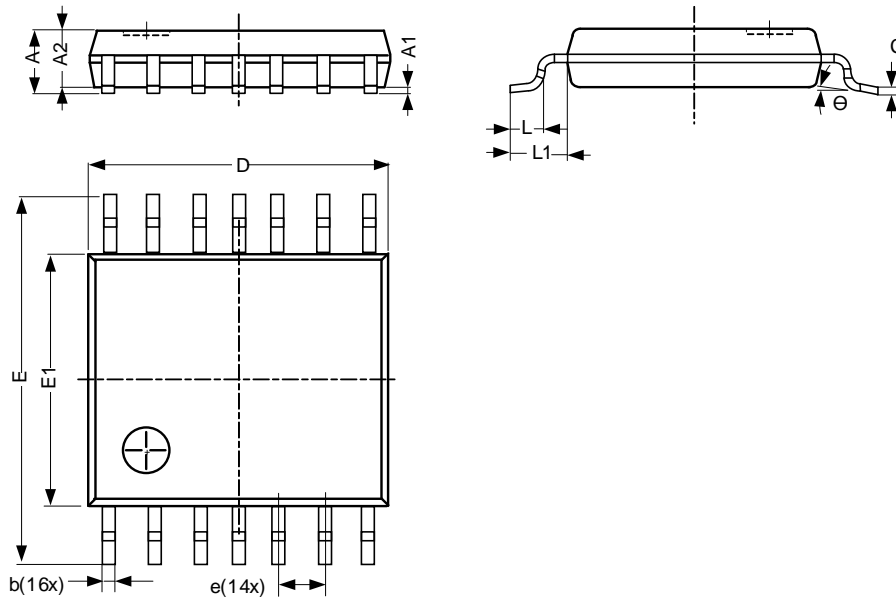
9.1.1 SOP14 Outline Dimensions



SYMBOL	Dimensions In Millimeters		
	Min.	Typ.	Max.
A	1.50	-	1.75
A1	0.05	-	0.25
A2	1.30	-	-
b	0.33	-	0.50
c	0.19	-	0.25
D	8.43	-	8.76
E	5.80	-	6.25
E1	3.75	-	4.00
e	1.27 BSC		
L	0.40	-	0.89
Θ	0°	-	8°
Unit: mm			

9.2 TSSOP14 Mechanical Information

9.2.1 TSSOP14 Outline Dimensions



SYMBOL	Dimensions In Millimeters		
	Min.	Typ.	Max.
A	-	-	1.20
A1	0.05	-	0.15
A2	0.80	-	1.05
b	0.19	-	0.30
c	0.09	-	0.20
D	4.90	-	5.10
E	6.20	-	6.60
E1	4.30	-	4.50
e	0.65 BSC		
L	0.45	-	0.75
L1	-	1.00	-
θ	0°	-	8°
Unit: mm			

10 Notes and Revision History

10.1 Associated Product Family and Others

To view other products of the same type or IC products of other types, click the official website of JSCJ -- <https://www.jscj-elec.com> for more details.

10.2 Notes

Electrostatic Discharge Caution



This IC may be damaged by ESD. Relevant personnel shall comply with correct installation and use specifications to avoid ESD damage to the IC. If appropriate measures are not taken to prevent ESD damage, the hazards caused by ESD include but are not limited to degradation of integrated circuit performance or complete damage of integrated circuit. For some precision integrated circuits, a very small parameter change may cause the whole device to be inconsistent with its published specifications.

DISCLAIMER

IMPORTANT NOTICE, PLEASE READ CAREFULLY

The information in this data sheet is intended to describe the operation and characteristics of our products. JSCJ has the right to make any modification, enhancement, improvement, correction or other changes to any content in this data sheet, including but not limited to specification parameters, circuit design and application information, without prior notice.

Any person who purchases or uses JSCJ products for design shall: 1. Select products suitable for circuit application and design; 2. Design, verify and test the rationality of circuit design; 3. Procedures to ensure that the design complies with relevant laws and regulations and the requirements of such laws and regulations. JSCJ makes no warranty or representation as to the accuracy or completeness of the information contained in this data sheet and assumes no responsibility for the application or use of any of the products described in this data sheet.

Without the written consent of JSCJ, this product shall not be used in occasions requiring high quality or high reliability, including but not limited to the following occasions: medical equipment, military facilities and aerospace. JSCJ shall not be responsible for casualties or property losses caused by abnormal use or application of this product.

Official Website: www.jscj-elec.com

Copyright © JIANGSU CHANGJING ELECTRONICS TECHNOLOGY CO., LTD