

8-input NAND Gate

CJ74HC/HCT30 Logic

1 Introduction

The CJ74HC/HCT30 is an 8-input NAND gate. Inputs include clamp diodes. This enables the use of current limiting resistors to interface inputs to voltages in excess of V_{CC} .

2 Available Packages

PART NUMBER	PACKAGE
CJ74HC30	SOP14
	TSSOP14
CJ74HCT30	SOP14
	TSSOP14

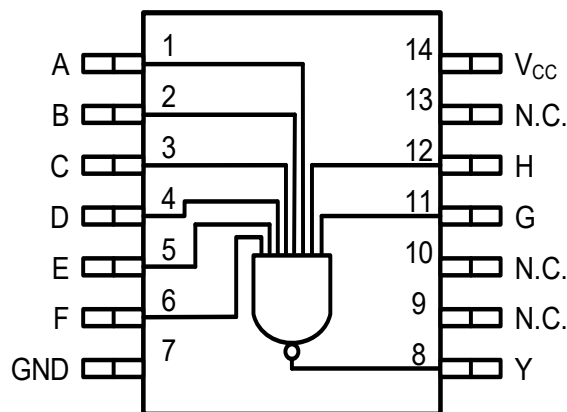
Note: For all available packages, please refer to the part Orderable Information.

3 Features

- Input levels:
 - For CJ74HC30: CMOS level
 - For CJ74HCT30: TTL level
- Specified from -40°C to $+125^{\circ}\text{C}$

4 Applications

- Alarm / tamper detect circuit
- S-R latch



Functional pinout

5 Orderable Information

DEVICE	PACKAGE	OP TEMP	ECO PLAN	MSL	PACKING OPTION	SORT
CJ74HC30ADN	SOP14	-40~125°C	RoHS & Green	Level 3 168HR	Tape and Reel 4000 Units / Reel	Active
CJ74HCT30ADN	SOP14	-40~125°C	RoHS & Green	Level 3 168HR	Tape and Reel 4000 Units / Reel	Active
CJ74HC30BDN	TSSOP14	-40~125°C	RoHS & Green	Level 3 168HR	Tape and Reel 5000 Units / Reel	Active
CJ74HCT30BDN	TSSOP14	-40~125°C	RoHS & Green	Level 3 168HR	Tape and Reel 5000 Units / Reel	Active

Note:

ECO PLAN: For the RoHS and Green certification standards of this product, please refer to the official report provided by JSCJ.

MSL: Moisture Sensitivity Level. Determined according to JEDEC industry standard classification.

SORT: Specifically defined as follows:

Active: Recommended for new products;

Customized: Products manufactured to meet the specific needs of customers;

Preview: The device has been released and has not been fully mass produced. The sample may or may not be available;

NoRD: It is not recommended to use the device for new design. The device is only produced for the needs of existing customers;

Obsolete: The device has been discontinued.

6 Pin Configuration and Marking Information

6.1 Pin Configuration

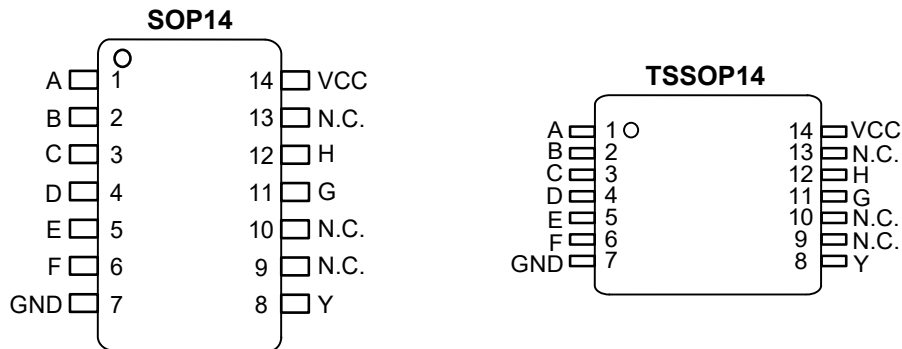


Figure 6-1 Pin configuration

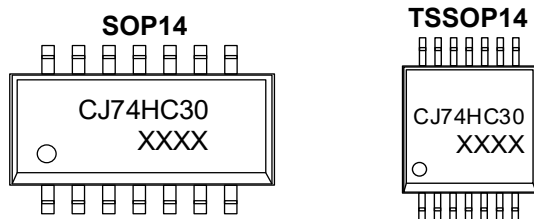
6.2 Pin Function

PIN		I/O ⁽¹⁾	DESCRIPTION
No.	NAME		
1	A	I	Data input
2	B	I	Data input
3	C	I	Data input
4	D	I	Data input
5	E	I	Data input
6	F	I	Data input
7	GND	G	Ground (0V)
8	Y	O	Data output
9	N.C.	-	Not connected
10	N.C.	-	Not connected
11	G	I	Data input
12	H	I	Data input
13	N.C.	-	Not connected
14	VCC	P	Supply voltage

(1) I-Input, O-Output, P-Power, G-Ground

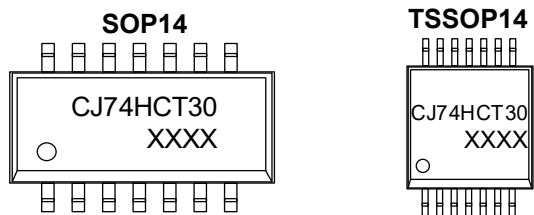
6.3 Marking Information

6.3.1 CJ74HC30



XXXX: Code, indicates weekly record information.

6.3.2 CJ74HCT30



XXXX: Code, indicates weekly record information.

7 Specifications

7.1 Absolute Maximum Ratings

Voltages are referenced to GND (ground=0V), unless otherwise specified.

SYMBOL	PARAMETER	CONDITIONS		MIN.	MAX.	UNIT
V _{CC}	Supply voltage	-		-0.5	+7	V
I _{IK}	Input clamping current	V _I < -0.5V or V _I > V _{CC} +0.5V		-	±20	mA
I _{OK}	Output clamping current	V _O < -0.5V or V _O > V _{CC} +0.5V		-	±20	mA
I _O	Output current	-0.5V < V _O < V _{CC} +0.5V		-	±25	mA
I _{CC}	Supply current	-		-	50	mA
I _{GND}	Ground current	-		-50	-	mA
P _{tot}	Total power dissipation	-		-	500	mW
T _{stg}	Storage temperature	-		-65	+150	°C
T _L	Soldering temperature	10s	SOP/TSSOP	-	260	°C

Note: Absolute maximum ratings indicate sustained limits beyond which damage to the device may occur. All voltage parameters are absolute voltages referenced to GND. The thermal resistance and power dissipation ratings are measured under board mounted and still air conditions.

7.2 Recommended Operating Conditions

SYMBOL	PARAMETER	CONDITIONS	MIN.	TYP.	MAX.	UNIT
CJ74HC30						
V _{CC}	Supply voltage	-	2.0	5.0	6.0	V
V _I	Input voltage	-	0	-	V _{CC}	V
V _O	Output voltage	-	0	-	V _{CC}	V
Δt/ΔV	Input transition rise and fall rate	V _{CC} =2.0V	-	-	625	ns/V
		V _{CC} =4.5V	-	1.67	139	ns/V
		V _{CC} =6.0V	-	-	83	ns/V
T _{amb}	Ambient temperature	-	-40	-	+125	°C
CJ74HCT30						
V _{CC}	Supply voltage	-	4.5	5.0	5.5	V
V _I	Input voltage	-	0	-	V _{CC}	V
V _O	Output voltage	-	0	-	V _{CC}	V
Δt/ΔV	Input transition rise and fall rate	V _{CC} =4.5V	-	1.67	139	ns/V
T _{amb}	Ambient temperature	-	-40	-	+125	°C

7.3 ESD Ratings

SYMBOL	ESD RATINGS		VALUE	UNIT
V _{ESD-HBM}	Electrostatic discharge	Human body model (HBM) ⁽¹⁾	±2000	V

(1) JEDEC document JEP155 states that 500-V HBM allows safe manufacturing with a standard ESD control process.

7.4 Electrical Characteristics
7.4.1 DC Characteristics 1
 $T_{amb}=25^{\circ}\text{C}$, voltages are referenced to GND (ground=0V), unless otherwise specified.

SYMBOL	PARAMETER	CONDITIONS	MIN.	TYP.	MAX.	UNIT	
CJ74HC30							
V_{IH}	HIGH-level input voltage	$V_{CC}=2.0\text{V}$	1.5	-	-	V	
		$V_{CC}=4.5\text{V}$	3.15	-	-	V	
		$V_{CC}=6.0\text{V}$	4.2	-	-	V	
V_{IL}	LOW-level input voltage	$V_{CC}=2.0\text{V}$	-	-	0.5	V	
		$V_{CC}=4.5\text{V}$	-	-	1.35	V	
		$V_{CC}=6.0\text{V}$	-	-	1.8	V	
V_{OH}	HIGH-level output voltage	$V_I=V_{IH}$ or V_{IL}	$I_o=-20\mu\text{A}; V_{CC}=2.0\text{V}$	1.9	2.0	-	V
			$I_o=-20\mu\text{A}; V_{CC}=4.5\text{V}$	4.4	4.5	-	V
			$I_o=-20\mu\text{A}; V_{CC}=6.0\text{V}$	5.9	6.0	-	V
			$I_o=-4.0\text{mA}; V_{CC}=4.5\text{V}$	3.98	4.32	-	V
			$I_o=-5.2\text{mA}; V_{CC}=6.0\text{V}$	5.48	5.81	-	V
V_{OL}	LOW-level output voltage	$V_I=V_{IH}$ or V_{IL}	$I_o=20\mu\text{A}; V_{CC}=2.0\text{V}$	-	0	0.1	V
			$I_o=20\mu\text{A}; V_{CC}=4.5\text{V}$	-	0	0.1	V
			$I_o=20\mu\text{A}; V_{CC}=6.0\text{V}$	-	0	0.1	V
			$I_o=4.0\text{mA}; V_{CC}=4.5\text{V}$	-	0.15	0.26	V
			$I_o=5.2\text{mA}; V_{CC}=6.0\text{V}$	-	0.16	0.26	V
I_I	Input leakage current	$V_I=V_{CC}$ or GND; $V_{CC}=6.0\text{V}$	-	-	± 1	μA	
I_{CC}	Supply current	$V_I=V_{CC}$ or GND; $I_o=0\text{A}; V_{CC}=6.0\text{V}$	-	-	2.0	μA	
C_I	Input capacitance	-	-	3.5	-	pF	
CJ74HCT30							
V_{IH}	HIGH-level input voltage	$V_{CC}=4.5\text{V}$ to 5.5V	2.0	-	-	V	
V_{IL}	LOW-level input voltage	$V_{CC}=4.5\text{V}$ to 5.5V	-	-	0.8	V	
V_{OH}	HIGH-level output voltage	$V_I=V_{IH}$ or V_{IL}	$I_o=-20\mu\text{A}; V_{CC}=4.5\text{V}$	4.4	4.5	-	V
			$I_o=-4.0\text{mA}; V_{CC}=4.5\text{V}$	3.98	4.32	-	V
V_{OL}	LOW-level output voltage	$V_I=V_{IH}$ or V_{IL}	$I_o=20\mu\text{A}; V_{CC}=4.5\text{V}$	-	0	0.1	V
			$I_o=4.0\text{mA}; V_{CC}=4.5\text{V}$	-	0.15	0.26	V
I_I	Input leakage current	$V_I=V_{CC}$ or GND; $V_{CC}=5.5\text{V}$	-	-	± 1	μA	
I_{CC}	Supply current	$V_I=V_{CC}$ or GND; $I_o=0\text{A}; V_{CC}=5.5\text{V}$	-	-	2.0	μA	
ΔI_{CC}	Additional supply current	Per input pin; $V_I=V_{CC}-2.4\text{V}; I_o=0\text{A};$ Other inputs at V_{CC} or GND; $V_{CC}=4.5\text{V}$ to 5.5V	-	-	216	μA	
C_I	Input capacitance	-	-	3.5	-	pF	

7.4.2 DC Characteristics 2
 $T_{amb} = -40^{\circ}\text{C}$ to $+85^{\circ}\text{C}$, voltages are referenced to GND (ground=0V), unless otherwise specified.

SYMBOL	PARAMETER	CONDITIONS	MIN.	TYP.	MAX.	UNIT	
CJ74HC30							
V_{IH}	HIGH-level input voltage	$V_{CC}=2.0\text{V}$	1.5	-	-	V	
		$V_{CC}=4.5\text{V}$	3.15	-	-	V	
		$V_{CC}=6.0\text{V}$	4.2	-	-	V	
V_{IL}	LOW-level input voltage	$V_{CC}=2.0\text{V}$	-	-	0.5	V	
		$V_{CC}=4.5\text{V}$	-	-	1.35	V	
		$V_{CC}=6.0\text{V}$	-	-	1.8	V	
V_{OH}	HIGH-level output voltage	$V_I = V_{IH}$ or V_{IL}	$I_o = -20\mu\text{A}; V_{CC} = 2.0\text{V}$	1.9	-	-	V
			$I_o = -20\mu\text{A}; V_{CC} = 4.5\text{V}$	4.4	-	-	V
			$I_o = -20\mu\text{A}; V_{CC} = 6.0\text{V}$	5.9	-	-	V
			$I_o = -4.0\text{mA}; V_{CC} = 4.5\text{V}$	3.84	-	-	V
			$I_o = -5.2\text{mA}; V_{CC} = 6.0\text{V}$	5.34	-	-	V
V_{OL}	LOW-level output voltage	$V_I = V_{IH}$ or V_{IL}	$I_o = 20\mu\text{A}; V_{CC} = 2.0\text{V}$	-	-	0.1	V
			$I_o = 20\mu\text{A}; V_{CC} = 4.5\text{V}$	-	-	0.1	V
			$I_o = 20\mu\text{A}; V_{CC} = 6.0\text{V}$	-	-	0.1	V
			$I_o = 4.0\text{mA}; V_{CC} = 4.5\text{V}$	-	-	0.33	V
			$I_o = 5.2\text{mA}; V_{CC} = 6.0\text{V}$	-	-	0.33	V
I_I	Input leakage current	$V_I = V_{CC}$ or GND; $V_{CC} = 6.0\text{V}$	-	-	± 1	μA	
I_{CC}	Supply current	$V_I = V_{CC}$ or GND; $I_o = 0\text{A}; V_{CC} = 6.0\text{V}$	-	-	20	μA	
CJ74HCT30							
V_{IH}	HIGH-level input voltage	$V_{CC} = 4.5\text{V}$ to 5.5V	2.0	-	-	V	
V_{IL}	LOW-level input voltage	$V_{CC} = 4.5\text{V}$ to 5.5V	-	-	0.8	V	
V_{OH}	HIGH-level output voltage	$V_I = V_{IH}$ or V_{IL}	$I_o = -20\mu\text{A}; V_{CC} = 4.5\text{V}$	4.4	-	-	V
			$I_o = -4.0\text{mA}; V_{CC} = 4.5\text{V}$	3.84	-	-	V
V_{OL}	LOW-level output voltage	$V_I = V_{IH}$ or V_{IL}	$I_o = 20\mu\text{A}; V_{CC} = 4.5\text{V}$	-	-	0.1	V
			$I_o = 4.0\text{mA}; V_{CC} = 4.5\text{V}$	-	-	0.33	V
I_I	Input leakage current	$V_I = V_{CC}$ or GND; $V_{CC} = 5.5\text{V}$	-	-	± 1	μA	
I_{CC}	Supply current	$V_I = V_{CC}$ or GND; $I_o = 0\text{A}; V_{CC} = 5.5\text{V}$	-	-	20	μA	
ΔI_{CC}	Additional supply current	Per input pin; $V_I = V_{CC} - 2.4\text{V}; I_o = 0\text{A};$ Other inputs at V_{CC} or GND; $V_{CC} = 4.5\text{V}$ to 5.5V	-	-	275	μA	

7.4.3 DC Characteristics 3

Tamb=-40°C to +125°C, voltages are referenced to GND (ground=0V), unless otherwise specified.

SYMBOL	PARAMETER	CONDITIONS	MIN.	TYP.	MAX.	UNIT	
CJ74HC30							
V _{IH}	HIGH-level input voltage	V _{CC} =2.0V	1.5	-	-	V	
		V _{CC} =4.5V	3.15	-	-	V	
		V _{CC} =6.0V	4.2	-	-	V	
V _{IL}	LOW-level input voltage	V _{CC} =2.0V	-	-	0.5	V	
		V _{CC} =4.5V	-	-	1.35	V	
		V _{CC} =6.0V	-	-	1.8	V	
V _{OH}	HIGH-level output voltage	V _I =V _{IH} or V _{IL}	I _O =-20μA; V _{CC} =2.0V	1.9	-	-	V
			I _O =-20μA; V _{CC} =4.5V	4.4	-	-	V
			I _O =-20μA; V _{CC} =6.0V	5.9	-	-	V
			I _O =-4.0mA; V _{CC} =4.5V	3.7	-	-	V
			I _O =-5.2mA; V _{CC} =6.0V	5.2	-	-	V
V _{OL}	LOW-level output voltage	V _I =V _{IH} or V _{IL}	I _O =20μA; V _{CC} =2.0V	-	-	0.1	V
			I _O =20μA; V _{CC} =4.5V	-	-	0.1	V
			I _O =20μA; V _{CC} =6.0V	-	-	0.1	V
			I _O =4.0mA; V _{CC} =4.5V	-	-	0.4	V
			I _O =5.2mA; V _{CC} =6.0V	-	-	0.4	V
I _I	Input leakage current	V _I =V _{CC} or GND; V _{CC} =6.0V	-	-	±1	μA	
I _{CC}	Supply current	V _I =V _{CC} or GND; I _O =0A; V _{CC} =6.0V	-	-	40	μA	
CJ74HCT30							
V _{IH}	HIGH-level input voltage	V _{CC} =4.5V to 5.5V	2.0	-	-	V	
V _{IL}	LOW-level input voltage	V _{CC} =4.5V to 5.5V	-	-	0.8	V	
V _{OH}	HIGH-level output voltage	V _I =V _{IH} or V _{IL}	I _O =-20μA; V _{CC} =4.5V	4.4	-	-	V
			I _O =-4.0mA; V _{CC} =4.5V	3.7	-	-	V
V _{OL}	LOW-level output voltage	V _I =V _{IH} or V _{IL}	I _O =20μA; V _{CC} =4.5V	-	-	0.1	V
			I _O =4.0mA; V _{CC} =4.5V	-	-	0.4	V
I _I	Input leakage current	V _I =V _{CC} or GND; V _{CC} =5.5V	-	-	±1	μA	
I _{CC}	Supply current	V _I =V _{CC} or GND; I _O =0A; V _{CC} =5.5V	-	-	40	μA	
ΔI _{CC}	Additional supply current	Per input pin; V _I =V _{CC} -2.4V; I _O =0A; Other inputs at V _{CC} or GND; V _{CC} =4.5V to 5.5V	-	-	294	μA	

7.4.4 AC Characteristics 1

T_{amb}=25°C, voltages are referenced to GND (ground=0V), unless otherwise specified.

SYMBOL	PARAMETER	CONDITIONS	MIN.	TYP.	MAX.	UNIT	
CJ74HC30							
t _{pd}	nA, nB, nC to nY propagation delay	See Figure 8-5 ⁽¹⁾	V _{CC} =2.0V	-	41	130	ns
			V _{CC} =4.5V	-	15	26	ns
			V _{CC} =5.0V; C _L =15pF	-	12	-	ns
			V _{CC} =6.0V	-	12	22	ns
t _t	Transition time	See Figure 8-5 ⁽²⁾	V _{CC} =2.0V	-	19	75	ns
			V _{CC} =4.5V	-	7	15	ns
			V _{CC} =6.0V	-	6	13	ns
C _{PD}	Power dissipation capacitance	Per package; V _I =GND to V _{CC} ⁽³⁾	-	15	-	pF	
CJ74HCT30							
t _{pd}	nA, nB, nC to nY propagation delay	See Figure 8-5 ⁽¹⁾	V _{CC} =4.5V	-	16	28	ns
			V _{CC} =5.0V; C _L =15pF	-	12	-	ns
t _t	Transition time	See Figure 8-5 ⁽²⁾	V _{CC} =4.5V	-	7	15	ns
C _{PD}	Power dissipation capacitance	Per package; V _I =GND to V _{CC} -1.5V ⁽³⁾	-	15	-	pF	

- (1) t_{pd} is the same as t_{PLH} and t_{PHL}.
- (2) t_t is the same as t_{THL} and t_{TLH}.
- (3) C_{PD} is used to determine the dynamic power dissipation (P_D in uW).
 $P_D = (C_{PD} \times V_{CC}^2 \times f_i \times N) + \sum (C_L \times V_{CC}^2 \times f_o)$ where:
 f_i=input frequency in MHz;
 f_o=output frequency in MHz;
 C_L=output load capacitance in pF;
 V_{CC}=supply voltage in V;
 N=number of inputs switching;
 $\sum (C_L \times V_{CC}^2 \times f_o)$ =sum of outputs.

7.4.5 AC Characteristics 2

T_{amb}=-40°C to +85°C, voltages are referenced to GND (ground=0V), unless otherwise specified.

SYMBOL	PARAMETER	CONDITIONS	MIN.	TYP.	MAX.	UNIT	
CJ74HC30							
t _{pd}	nA, nB, nC to nY propagation delay	See Figure 8-5 ⁽¹⁾	V _{CC} =2.0V	-	-	165	ns
			V _{CC} =4.5V	-	-	33	ns
			V _{CC} =6.0V	-	-	28	ns
t _t	Transition time	See Figure 8-5 ⁽²⁾	V _{CC} =2.0V	-	-	95	ns
			V _{CC} =4.5V	-	-	19	ns
			V _{CC} =6.0V	-	-	16	ns
CJ74HCT30							
t _{pd}	nA, nB, nC to nY propagation delay	See Figure 8-5 ⁽¹⁾	V _{CC} =4.5V	-	-	35	ns

t_t	Transition time	See Figure 8-5 ⁽²⁾	$V_{CC}=4.5V$	-	-	19	ns
-------	-----------------	-------------------------------	---------------	---	---	----	----

(1) t_{pd} is the same as t_{PLH} and t_{PHL} .

(2) t_t is the same as t_{THL} and t_{TLH} .

7.4.6 AC Characteristics 3

$T_{amb}=-40^{\circ}C$ to $+125^{\circ}C$, voltages are referenced to GND (ground=0V), unless otherwise specified.

SYMBOL	PARAMETER	CONDITIONS	MIN.	TYP.	MAX.	UNIT	
CJ74HC30							
t_{pd}	nA, nB, nC to nY propagation delay	See Figure 8-5 ⁽¹⁾	$V_{CC}=2.0V$	-	-	195	ns
			$V_{CC}=4.5V$	-	-	39	ns
			$V_{CC}=6.0V$	-	-	33	ns
t_t	Transition time	See Figure 8-5 ⁽²⁾	$V_{CC}=2.0V$	-	-	110	ns
			$V_{CC}=4.5V$	-	-	22	ns
			$V_{CC}=6.0V$	-	-	19	ns
CJ74HCT30							
t_{pd}	nA, nB, nC to nY propagation delay	See Figure 8-5 ⁽¹⁾	$V_{CC}=4.5V$	-	-	42	ns
t_t	Transition time	See Figure 8-5 ⁽²⁾	$V_{CC}=4.5V$	-	-	22	ns

(1) t_{pd} is the same as t_{PLH} and t_{PHL} .

(2) t_t is the same as t_{THL} and t_{TLH} .

8 Detailed Description

8.1 Overview

The CJ74HC/HCT30 is an 8-input NAND gate. Inputs include clamp diodes. This enables the use of current limiting resistors to interface inputs to voltages in excess of V_{CC} .

8.2 Functional Block Diagram

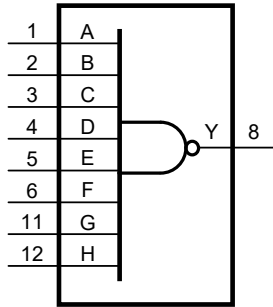


Figure 8-1 Logic symbol

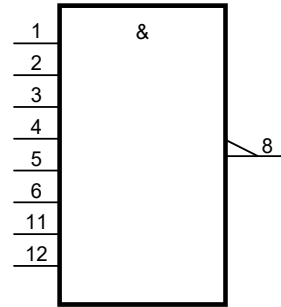


Figure 8-2 IEC Logic symbol

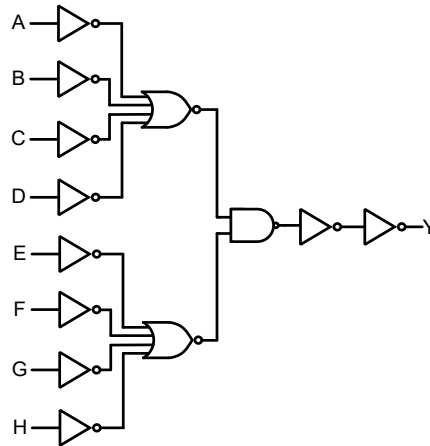


Figure 8-3 Logic diagram

8.3 Function Table

INPUT								OUTPUT
A	B	C	D	E	F	G	H	Y
L	X	X	X	X	X	X	X	H
X	L	X	X	X	X	X	X	H
X	X	L	X	X	X	X	X	H
X	X	X	L	X	X	X	X	H
X	X	X	X	L	X	X	X	H
X	X	X	X	X	L	X	X	H
X	X	X	X	X	X	L	X	H
X	X	X	X	X	X	X	L	H
H	H	H	H	H	H	H	H	L

Note: H=HIGH voltage level; L=LOW voltage level; X=don't care.

8.4 Testing Circuit

8.4.1 AC Testing Circuit

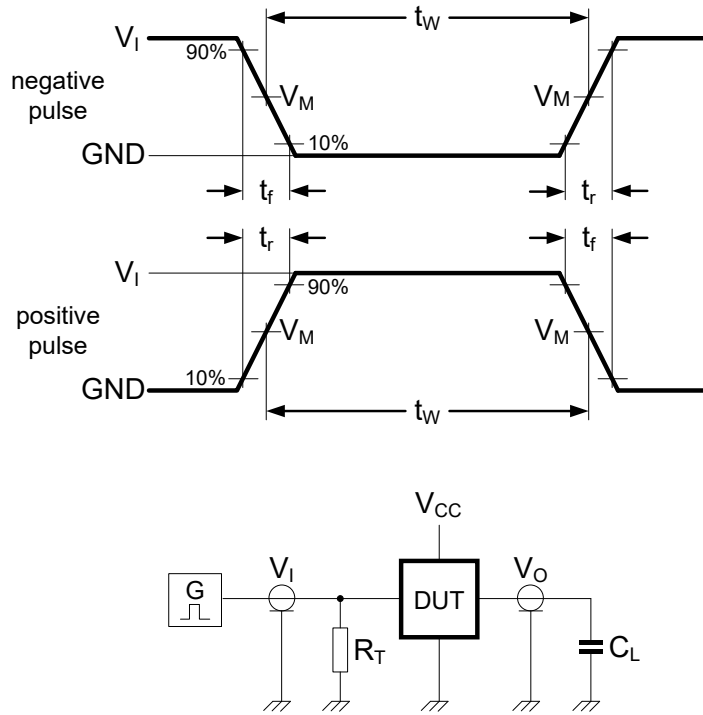


Figure 8-4 Test circuit for measuring switching times

Definitions for test circuit:

C_L =load capacitance including jig and probe capacitance.

R_T =termination resistance should be equal to the output impedance Z_o of the pulse generator.

8.4.2 AC Testing Waveforms

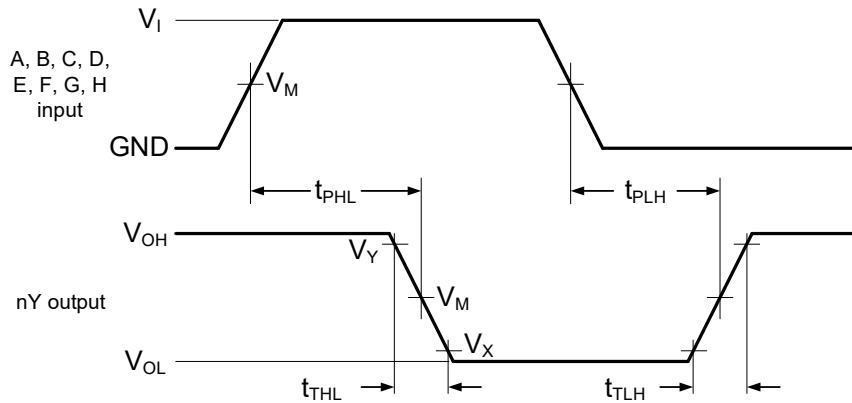


Figure 8-5 Input to output propagation delays and output transition times

8.4.3 Measurement Points

TYPE	INPUT	OUTPUT		
	V_M	V_M	V_X	V_Y
CJ74HC30	$0.5 \times V_{CC}$	$0.5 \times V_{CC}$	$0.1 \times V_{CC}$	$0.9 \times V_{CC}$
CJ74HCT30	1.3V	1.3V	$0.1 \times V_{CC}$	$0.9 \times V_{CC}$

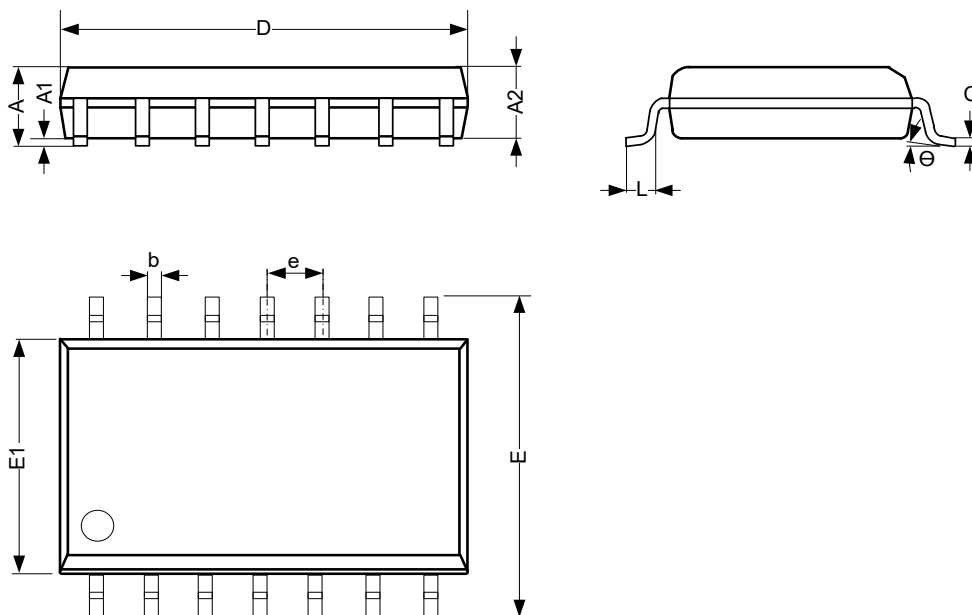
8.4.4 Test Data

TYPE	INPUT		LOAD	TEST
	V_I	t_r, t_f	C_L	
CJ74HC30	V_{CC}	6.0ns	15pF, 50pF	t_{PLH}, t_{PHL}
CJ74HCT30	3.0V	6.0ns	15pF, 50pF	t_{PLH}, t_{PHL}

9 Mechanical Information

9.1 SOP14 Mechanical Information

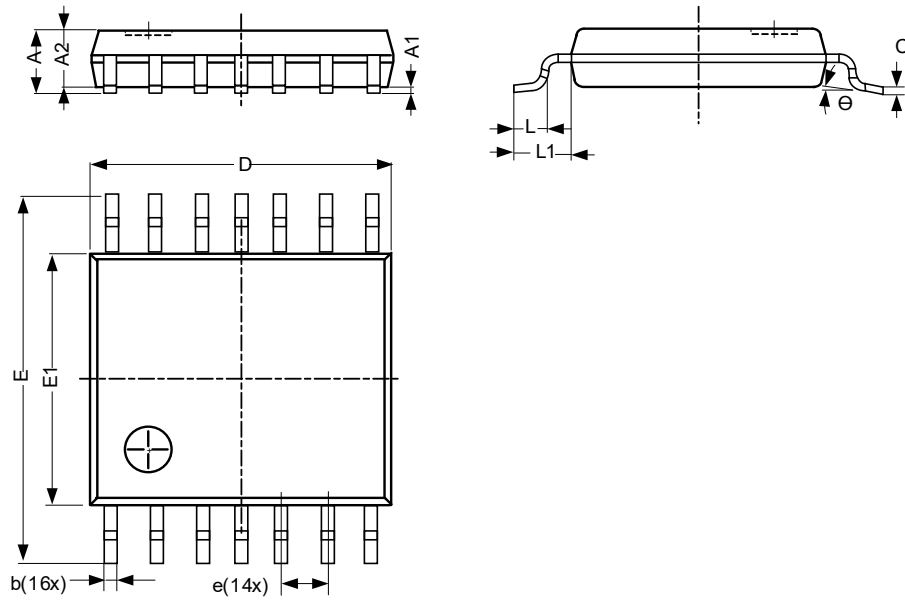
9.1.1 SOP14 Outline Dimensions



SYMBOL	Dimensions In Millimeters		
	Min.	Typ.	Max.
A	1.50	-	1.75
A1	0.05	-	0.25
A2	1.30	-	-
b	0.33	-	0.50
c	0.19	-	0.25
D	8.43	-	8.76
E	5.80	-	6.25
E1	3.75	-	4.00
e	1.27 BSC		
L	0.40	-	0.89
θ	0°	-	8°
Unit: mm			

9.2 TSSOP14 Mechanical Information

9.2.1 TSSOP14 Outline Dimensions



SYMBOL	Dimensions In Millimeters		
	Min.	Typ.	Max.
A	-	-	1.20
A1	0.05	-	0.15
A2	0.80	-	1.05
b	0.19	-	0.30
c	0.09	-	0.20
D	4.90	-	5.10
E	6.20	-	6.60
E1	4.30	-	4.50
e	0.65 BSC		
L	0.45	-	0.75
L1	-	1.00	-
Θ	0°	-	8°
Unit: mm			

10 Notes and Revision History

10.1 Associated Product Family and Others

To view other products of the same type or IC products of other types, click the official website of JSCJ -- <https://www.jscj-elec.com> for more details.

10.2 Notes

Electrostatic Discharge Caution



This IC may be damaged by ESD. Relevant personnel shall comply with correct installation and use specifications to avoid ESD damage to the IC. If appropriate measures are not taken to prevent ESD damage, the hazards caused by ESD include but are not limited to degradation of integrated circuit performance or complete damage of integrated circuit. For some precision integrated circuits, a very small parameter change may cause the whole device to be inconsistent with its published specifications.

DISCLAIMER

IMPORTANT NOTICE, PLEASE READ CAREFULLY

The information in this data sheet is intended to describe the operation and characteristics of our products. JSCJ has the right to make any modification, enhancement, improvement, correction or other changes to any content in this data sheet, including but not limited to specification parameters, circuit design and application information, without prior notice.

Any person who purchases or uses JSCJ products for design shall: 1. Select products suitable for circuit application and design; 2. Design, verify and test the rationality of circuit design; 3. Procedures to ensure that the design complies with relevant laws and regulations and the requirements of such laws and regulations. JSCJ makes no warranty or representation as to the accuracy or completeness of the information contained in this data sheet and assumes no responsibility for the application or use of any of the products described in this data sheet.

Without the written consent of JSCJ, this product shall not be used in occasions requiring high quality or high reliability, including but not limited to the following occasions: medical equipment, military facilities and aerospace. JSCJ shall not be responsible for casualties or property losses caused by abnormal use or application of this product.

Official Website: www.jscj-elec.com

Copyright © JIANGSU CHANGJING ELECTRONICS TECHNOLOGY CO., LTD