

**Low-Power Configurable Multiple Function Gate**

**CJ74LVC1G57**      **Logic**

**1 Introduction**

The CJ74LVC1G57 provides configurable multiple functions. The output state is determined by eight patterns of 3-bit input. The user can choose the logic functions AND, OR, NAND, NOR, XNOR, inverter and buffer. All inputs can be connected to  $V_{CC}$  or GND.

Inputs can be driven from either 3.3V or 5V devices. This feature allows the use of this device in a mixed 3.3V and 5V environment.

This device is fully specified for partial power-down applications using  $I_{OFF}$ . The  $I_{OFF}$  circuitry disables the output, preventing the damaging backflow current through the device when it is powered down.

All inputs (A, B and C) are Schmitt trigger inputs. They are capable of transforming slowly changing input signals into sharply defined, jitter-free output signals.

**2 Available Packages**

PART NUMBER	PACKAGE
CJ74LVC1G57	SOT-23-6L
	SOT-363
	DFN1.45x1-6L

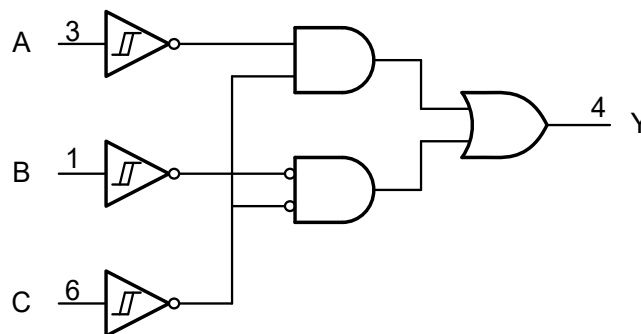
**Note:** For all available packages, please refer to the part Orderable Information.

**3 Features**

- Wide supply voltage range from 1.65V to 5.5V
- 5V tolerant input/output for interfacing with 5V logic
- $\pm 24\text{mA}$  output drive ( $V_{CC}=3.0\text{V}$ )
- CMOS low power consumption
- Direct interface with TTL levels
- Inputs accept voltages up to 5V
- Specified from  $-40^{\circ}\text{C}$  to  $+125^{\circ}\text{C}$

**4 Applications**

- Active Noise Cancellation (ANC)
- Barcode Scanners
- Blood Pressure Monitors
- CPAP Machines
- Cable Solutions
- Embedded PCs
- Field Transmitter: Temperature or Pressure Sensors
- HVAC: Heating, Ventilating, and Air Conditioning
- TVs: High-Definition (HDTV), LCD, and Digital
- Video Communications Systems



Logic symbol

**5 Orderable Information**

DEVICE	PACKAGE	OP TEMP	ECO PLAN	MSL	PACKING OPTION	SORT
CJ74LVC1G57M6N	SOT-23-6L	-40~125°C	RoHS & Green	Level 3 168HR	Tape and Reel 3000 Units / Reel	Active
CJ74LVC1G57R6N	SOT-363	-40~125°C	RoHS & Green	Level 3 168HR	Tape and Reel 3000 Units / Reel	Active
CJ74LVC1G57DNN	DFN1.45x1-6L	-40~125°C	RoHS & Green	Level 3 168HR	Tape and Reel 5000 Units / Reel	Active

**Note:**

**ECO PLAN:** For the RoHS and Green certification standards of this product, please refer to the official report provided by JSCJ.

**MSL:** Moisture Sensitivity Level. Determined according to JEDEC industry standard classification.

**SORT:** Specifically defined as follows:

Active: Recommended for new products;

Customized: Products manufactured to meet the specific needs of customers;

Preview: The device has been released and has not been fully mass produced. The sample may or may not be available;

NoRD: It is not recommended to use the device for new design. The device is only produced for the needs of existing customers;

Obsolete: The device has been discontinued.

## 6 Pin Configuration and Marking Information

### 6.1 Pin Configuration

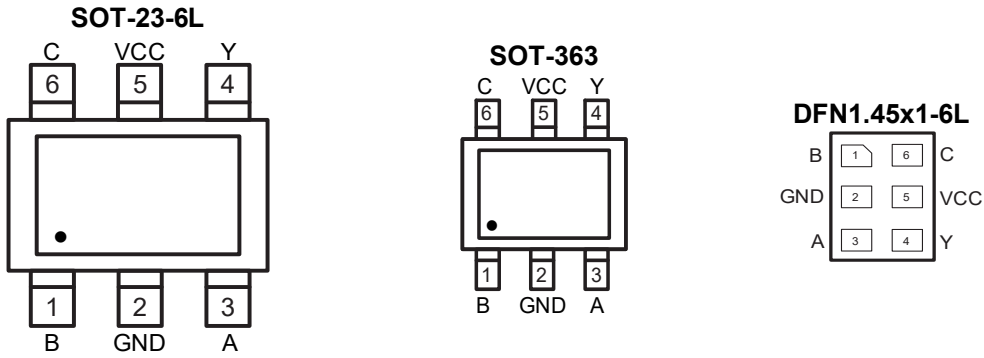


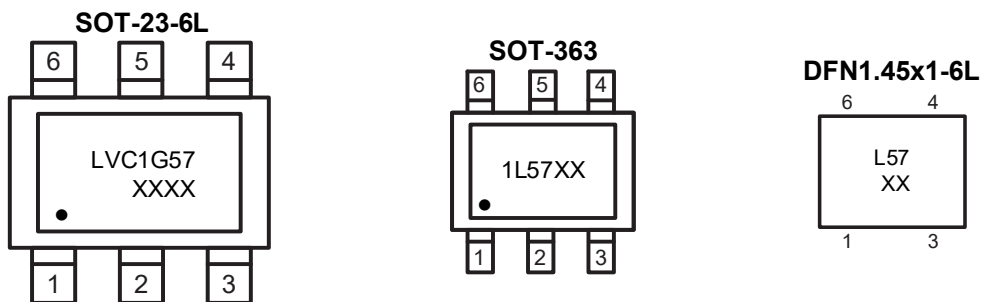
Figure 6-1 Pin configuration

### 6.2 Pin Function

PIN		I/O <sup>(1)</sup>	DESCRIPTION
No.	NAME		
1	B	I	Data input
2	GND	G	Ground (0V)
3	A	I	Data input
4	Y	O	Data output
5	VCC	P	Supply voltage
6	C	I	Data input

(1) I-Input, O-Output, P-Power, G-Ground

### 6.3 Marking Information



XXXX or XX: Code, indicates weekly record information.

## 7 Specifications

### 7.1 Absolute Maximum Ratings

$T_{amb}=25^{\circ}\text{C}$ , all voltage referenced to GND, unless otherwise specified.

SYMBOL	PARAMETER	CONDITIONS	MIN.	MAX.	UNIT
$V_{CC}$	Supply voltage	-	-0.5	+6.5	V
$I_{IK}$	Input clamping current	$V_I < 0V$	-50	-	mA
$V_I$	Input voltage	-(1)	-0.5	+6.5	V
$I_{OK}$	Output clamping current	$V_O > V_{CC}$ or $V_O < 0V$	-	$\pm 50$	mA
$V_O$	Output voltage	Active mode <sup>(1)(2)</sup>	-0.5	+6.5	V
		Power-down mode <sup>(1)(2)</sup>	-0.5	+6.5	V
$I_O$	Output current	$V_O=0V$ to $V_{CC}$	-	$\pm 50$	mA
$I_{CC}$	Supply current	-	-	100	mA
$I_{GND}$	Ground current	-	-100	-	mA
$T_{stg}$	Storage temperature	-	-65	+150	$^{\circ}\text{C}$
$P_{tot}$	Total power dissipation	-	-	250	mW
$T_L$	Soldering temperature	10s	-	260	$^{\circ}\text{C}$

(1) The input and output voltage ratings may be exceeded if the input and output current ratings are observed.

(2) When  $V_{CC}=0V$  (Power-down mode), the output voltage can be 5.5V in normal operation.

### 7.2 Recommended Operating Conditions

SYMBOL	PARAMETER	CONDITIONS	MIN.	TYP.	MAX.	UNIT
$V_{CC}$	Supply voltage	-	1.65	-	5.5	V
$V_I$	Input voltage	-	0	-	5.5	V
$V_O$	Output voltage	Active mode	0	-	$V_{CC}$	V
		Power-down mode; $V_{CC}=0V$	0	-	5.5	V
$T_{amb}$	Ambient temperature	-	-40	-	+125	$^{\circ}\text{C}$

### 7.3 ESD Ratings

SYMBOL	ESD RATINGS		VALUE	UNIT
$V_{ESD-HBM}$	Electrostatic discharge	Human body model (HBM) <sup>(1)</sup>	$\pm 2000$	V

(1) JEDEC document JEP155 states that 500-V HBM allows safe manufacturing with a standard ESD control process.

7.4 Electrical Characteristics

7.4.1 DC Characteristics 1

T<sub>amb</sub> = -40°C to +85°C, voltages are referenced to GND (ground=0V), unless otherwise specified.

SYMBOL	PARAMETER	CONDITIONS		MIN.	TYP. <sup>(1)</sup>	MAX.	UNIT
V <sub>OL</sub>	LOW-level output voltage	V <sub>I</sub> = V <sub>T+</sub> or V <sub>T-</sub>	I <sub>O</sub> =100uA; V <sub>CC</sub> =1.65V to 5.5V	-	-	0.1	V
			I <sub>O</sub> =4mA; V <sub>CC</sub> =1.65V	-	-	0.45	V
			I <sub>O</sub> =8mA; V <sub>CC</sub> =2.3V	-	-	0.3	V
			I <sub>O</sub> =12mA; V <sub>CC</sub> =2.7V	-	-	0.4	V
			I <sub>O</sub> =24mA; V <sub>CC</sub> =3.0V	-	-	0.55	V
			I <sub>O</sub> =32mA; V <sub>CC</sub> =4.5V	-	-	0.55	V
V <sub>OH</sub>	HIGH-level output voltage	V <sub>I</sub> = V <sub>T+</sub> or V <sub>T-</sub>	I <sub>O</sub> =-100uA; V <sub>CC</sub> =1.65V to 5.5V	V <sub>CC</sub> -0.1	-	-	V
			I <sub>O</sub> =-4mA; V <sub>CC</sub> =1.65V	1.2	-	-	V
			I <sub>O</sub> =-8mA; V <sub>CC</sub> =2.3V	1.9	-	-	V
			I <sub>O</sub> =-12mA; V <sub>CC</sub> =2.7V	2.2	-	-	V
			I <sub>O</sub> =-24mA; V <sub>CC</sub> =3.0V	2.3	-	-	V
			I <sub>O</sub> =-32mA; V <sub>CC</sub> =4.5V	3.8	-	-	V
I <sub>I</sub>	Input leakage current	V <sub>I</sub> =5.5V or GND; V <sub>CC</sub> =0V to 5.5V		-	±0.1	±1	uA
I <sub>OFF</sub>	Power-off leakage current	V <sub>I</sub> or V <sub>O</sub> =5.5V; V <sub>CC</sub> =0V		-	±0.1	±2	uA
I <sub>CC</sub>	Supply current	V <sub>I</sub> =5.5V or GND; I <sub>O</sub> =0A; V <sub>CC</sub> =1.65V to 5.5V		-	0.1	4	uA
ΔI <sub>CC</sub>	Additional supply current	V <sub>I</sub> =V <sub>CC</sub> -0.6V; I <sub>O</sub> =0A; V <sub>CC</sub> =2.3V to 5.5V		-	5	500	uA
C <sub>I</sub>	Input capacitance	-		-	2.5	-	uF

(1) Typical values are measured at maximum V<sub>CC</sub> and T<sub>amb</sub>=25°C.

7.4.2 DC Characteristics 2

T<sub>amb</sub> = -40°C to +125°C, voltages are referenced to GND (ground=0V), unless otherwise specified.

SYMBOL	PARAMETER	CONDITIONS		MIN.	TYP. <sup>(1)</sup>	MAX.	UNIT
V <sub>OL</sub>	LOW-level output voltage	V <sub>I</sub> = V <sub>T+</sub> or V <sub>T-</sub>	I <sub>O</sub> =100uA; V <sub>CC</sub> =1.65V to 5.5V	-	-	0.1	V
			I <sub>O</sub> =4mA; V <sub>CC</sub> =1.65V	-	-	0.7	V
			I <sub>O</sub> =8mA; V <sub>CC</sub> =2.3V	-	-	0.45	V
			I <sub>O</sub> =12mA; V <sub>CC</sub> =2.7V	-	-	0.6	V
			I <sub>O</sub> =24mA; V <sub>CC</sub> =3.0V	-	-	0.8	V
			I <sub>O</sub> =32mA; V <sub>CC</sub> =4.5V	-	-	0.8	V
V <sub>OH</sub>	HIGH-level output voltage	V <sub>I</sub> = V <sub>T+</sub> or V <sub>T-</sub>	I <sub>O</sub> =-100uA; V <sub>CC</sub> =1.65V to 5.5V	V <sub>CC</sub> -0.1	-	-	V
			I <sub>O</sub> =-4mA; V <sub>CC</sub> =1.65V	0.95	-	-	V
			I <sub>O</sub> =-8mA; V <sub>CC</sub> =2.3V	1.7	-	-	V
			I <sub>O</sub> =-12mA; V <sub>CC</sub> =2.7V	1.9	-	-	V
			I <sub>O</sub> =-24mA; V <sub>CC</sub> =3.0V	2.0	-	-	V

			$I_o=-32mA; V_{CC}=4.5V$	3.4	-	-	V
$I_i$	Input leakage current	$V_i=5.5V$ or GND; $V_{CC}=0V$ to 5.5V		-	-	$\pm 1$	$\mu A$
$I_{OFF}$	Power-off leakage current	$V_i$ or $V_o=5.5V; V_{CC}=0V$		-	-	$\pm 2$	$\mu A$
$I_{CC}$	Supply current	$V_i=5.5V$ or GND; $I_o=0A$ ; $V_{CC}=1.65V$ to 5.5V		-	-	4	$\mu A$
$\Delta I_{CC}$	Additional supply current	$V_i=V_{CC}-0.6V; I_o=0A$ ; $V_{CC}=2.3V$ to 5.5V		-	-	500	$\mu A$

(1) Typical values are measured at maximum  $V_{CC}$  and  $T_{amb}=25^\circ C$ .

### 7.4.3 AC Characteristics 1

$T_{amb}=-40^\circ C$  to  $+85^\circ C$ , voltages are referenced to GND (ground=0V), unless otherwise specified.

SYMBOL	PARAMETER	CONDITIONS		MIN.	TYP. <sup>(1)</sup>	MAX.	UNIT
$t_{pd}$	A, B and C to Y propagation delay	See Figure 8-3 <sup>(2)</sup>	$V_{CC}=1.65V$ to 1.95V	1.0	6.0	14.4	ns
			$V_{CC}=2.3V$ to 2.7V	0.5	3.5	8.3	ns
			$V_{CC}=2.7V$	0.5	4.2	8.5	ns
			$V_{CC}=3.0V$ to 3.6V	0.5	3.8	6.3	ns
			$V_{CC}=4.5V$ to 5.5V	0.5	3.0	5.1	ns
$C_{PD}$	Power dissipation capacitance	$V_{CC}=3.3V; V_i=GND$ to $V_{CC}$ <sup>(3)</sup>		-	22	-	pF

(1) Typical values are measured at nominal  $V_{CC}$  and at  $T_{amb}=25^\circ C$ .

(2)  $t_{pd}$  is the same as  $t_{PLH}$  and  $t_{PHL}$ .

(3)  $C_{PD}$  is used to determine the dynamic power dissipation ( $P_D$  in  $\mu W$ ).

$$P_D=(C_{PD} \times V_{CC}^2 \times f_i \times N) + \sum(C_L \times V_{CC}^2 \times f_o)$$
 where:

$f_i$ =input frequency in MHz;

$f_o$ =output frequency in MHz;

$C_L$ =output load capacitance in pF;

$V_{CC}$ =supply voltage in V;

$N$ =number of inputs switching;

$\sum(C_L \times V_{CC}^2 \times f_o)$ =sum of outputs.

### 7.4.4 AC Characteristics 2

$T_{amb}=-40^\circ C$  to  $+125^\circ C$ , voltages are referenced to GND (ground=0V), unless otherwise specified.

SYMBOL	PARAMETER	CONDITIONS		MIN.	TYP. <sup>(1)</sup>	MAX.	UNIT
$t_{pd}$	A, B and C to Y propagation delay	See Figure 8-3 <sup>(2)</sup>	$V_{CC}=1.65V$ to 1.95V	1.0	-	18	ns
			$V_{CC}=2.3V$ to 2.7V	0.5	-	10.4	ns
			$V_{CC}=2.7V$	0.5	-	10.6	ns
			$V_{CC}=3.0V$ to 3.6V	0.5	-	7.9	ns
			$V_{CC}=4.5V$ to 5.5V	0.5	-	6.4	ns

(1) Typical values are measured at nominal  $V_{CC}$  and at  $T_{amb}=25^\circ C$ .

(2)  $t_{pd}$  is the same as  $t_{PLH}$  and  $t_{PHL}$ .

7.4.5 Transfer Characteristics 1

T<sub>amb</sub>=-40°C to +85°C, voltages are referenced to GND (ground=0V), unless otherwise specified.

SYMBOL	PARAMETER	CONDITIONS	MIN.	TYP. <sup>(1)</sup>	MAX.	UNIT	
V <sub>T+</sub>	Positive-going threshold voltage	See Figure 8-4, Figure 8-5, Figure 8-6 and Figure 8-7	V <sub>CC</sub> =1.8V	0.70	1.02	1.20	V
			V <sub>CC</sub> =2.3V	1.11	1.42	1.60	V
			V <sub>CC</sub> =3.0V	1.50	1.79	2.00	V
			V <sub>CC</sub> =4.5V	2.16	2.52	2.74	V
			V <sub>CC</sub> =5.5V	2.61	2.99	3.33	V
V <sub>T-</sub>	Negative-going threshold voltage	See Figure 8-4, Figure 8-5, Figure 8-6 and Figure 8-7	V <sub>CC</sub> =1.8V	0.30	0.53	0.72	V
			V <sub>CC</sub> =2.3V	0.58	0.77	1.00	V
			V <sub>CC</sub> =3.0V	0.80	1.04	1.30	V
			V <sub>CC</sub> =4.5V	1.21	1.55	1.90	V
			V <sub>CC</sub> =5.5V	1.45	1.86	2.29	V
V <sub>H</sub>	Hysteresis voltage	(V <sub>T+</sub> - V <sub>T-</sub> ); See Figure 8-4, Figure 8-5, Figure 8-6 and Figure 8-7	V <sub>CC</sub> =1.8V	0.30	0.48	0.62	V
			V <sub>CC</sub> =2.3V	0.40	0.64	0.80	V
			V <sub>CC</sub> =3.0V	0.50	0.75	1.00	V
			V <sub>CC</sub> =4.5V	0.71	0.97	1.20	V
			V <sub>CC</sub> =5.5V	0.71	1.13	1.40	V

(1) Typical values are measured at T<sub>amb</sub>=25°C.

7.4.6 Transfer Characteristics 2

T<sub>amb</sub>=-40°C to +125°C, voltages are referenced to GND (ground=0V), unless otherwise specified.

SYMBOL	PARAMETER	CONDITIONS	MIN.	TYP. <sup>(1)</sup>	MAX.	UNIT	
V <sub>T+</sub>	Positive-going threshold voltage	See Figure 8-4, Figure 8-5, Figure 8-6 and Figure 8-7	V <sub>CC</sub> =1.8V	0.67	-	1.20	V
			V <sub>CC</sub> =2.3V	1.08	-	1.60	V
			V <sub>CC</sub> =3.0V	1.47	-	2.00	V
			V <sub>CC</sub> =4.5V	2.13	-	2.74	V
			V <sub>CC</sub> =5.5V	2.58	-	3.33	V
V <sub>T-</sub>	Negative-going threshold voltage	See Figure 8-4, Figure 8-5, Figure 8-6 and Figure 8-7	V <sub>CC</sub> =1.8V	0.30	-	0.75	V
			V <sub>CC</sub> =2.3V	0.58	-	1.03	V
			V <sub>CC</sub> =3.0V	0.80	-	1.33	V
			V <sub>CC</sub> =4.5V	1.21	-	1.93	V
			V <sub>CC</sub> =5.5V	1.45	-	2.32	V
V <sub>H</sub>	Hysteresis voltage	(V <sub>T+</sub> - V <sub>T-</sub> ); See Figure 8-4, Figure 8-5, Figure 8-6 and Figure 8-7	V <sub>CC</sub> =1.8V	0.23	-	0.62	V
			V <sub>CC</sub> =2.3V	0.34	-	0.80	V
			V <sub>CC</sub> =3.0V	0.44	-	1.00	V
			V <sub>CC</sub> =4.5V	0.65	-	1.20	V
			V <sub>CC</sub> =5.5V	0.65	-	1.40	V

(1) Typical values are measured at T<sub>amb</sub>=25°C.

## 8 Detailed Description

### 8.1 Overview

The CJ74LVC1G57 provides configurable multiple functions. The output state is determined by eight patterns of 3-bit input. The user can choose the logic functions AND, OR, NAND, NOR, XNOR, inverter and buffer. All inputs can be connected to  $V_{CC}$  or GND.

Inputs can be driven from either 3.3V or 5V devices. This feature allows the use of this device in a mixed 3.3V and 5V environment.

This device is fully specified for partial power-down applications using  $I_{OFF}$ .

The  $I_{OFF}$  circuitry disables the output, preventing the damaging backflow current through the device when it is powered down.

All inputs (A, B and C) are Schmitt trigger inputs. They are capable of transforming slowly changing input signals into sharply defined, jitter-free output signals.

### 8.2 Functional Block Diagram

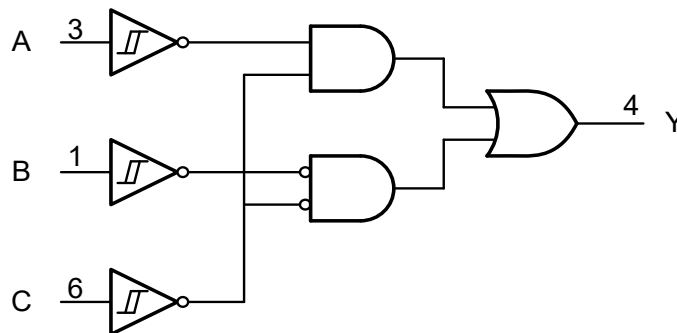


Figure 8-1 Logic symbol

### 8.3 Function Table<sup>(1)</sup>

INPUT			OUTPUT
C	B	A	Y
L	L	L	H
L	L	H	L
L	H	L	H
L	H	H	L
H	L	L	L
H	L	H	L
H	H	L	H
H	H	H	H

(1) H=HIGH voltage level; L=LOW voltage level.

8.4 Testing Circuit

8.4.1 AC Testing Circuit

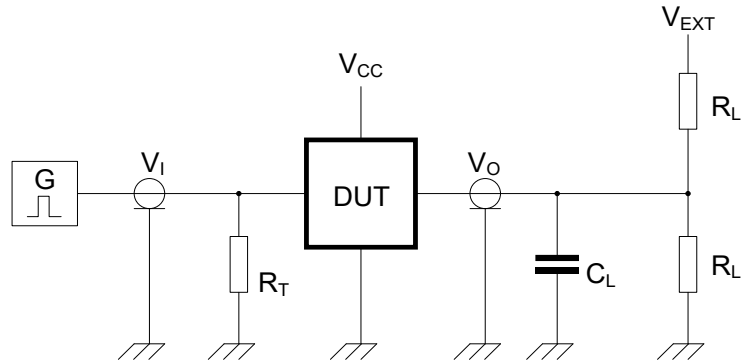


Figure 8-2 Test circuit for measuring switching times

Definitions for test circuit:

$R_L$ =Load resistance.

$C_L$ =Load capacitance including jig and probe capacitance.

$R_T$ =Termination resistance; should be equal to the output impedance  $Z_o$  of the pulse generator.

$V_{EXT}$ =External voltage for measuring switching times.

8.4.2 AC Testing Waveforms

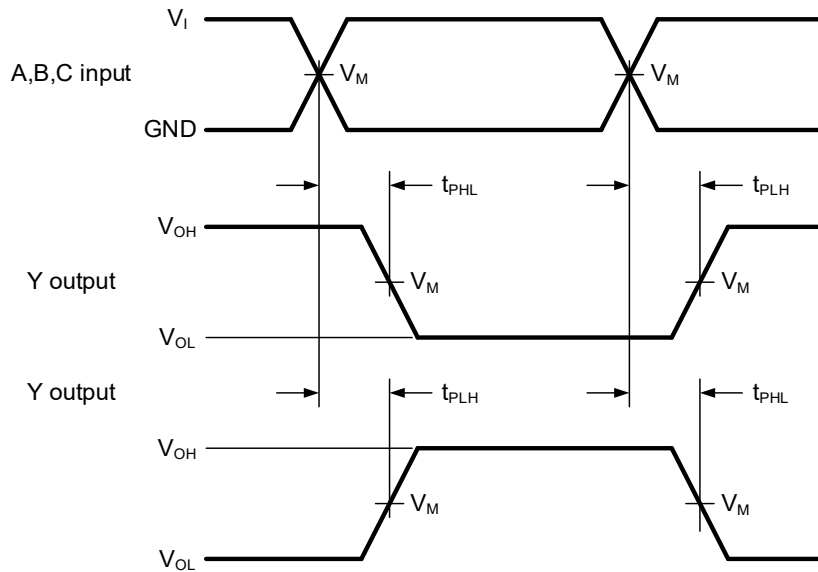


Figure 8-3 Input A, B and C to output Y propagation delay times

8.4.3 Transfer Characteristics Waveforms

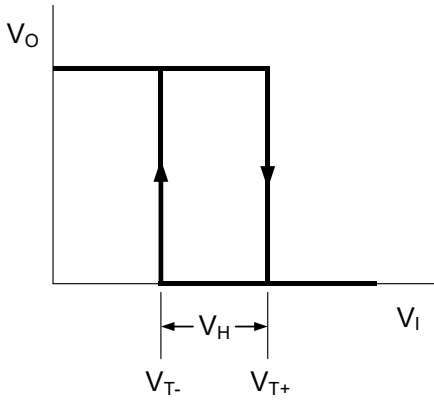
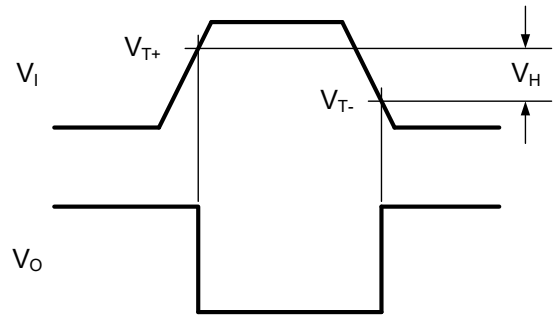


Figure 8-4 Transfer characteristic



$V_{T+}$  and  $V_{T-}$  limits are at 70% and 20%.  
Figure 8-5 Definition of  $V_{T+}$ ,  $V_{T-}$ , and  $V_H$

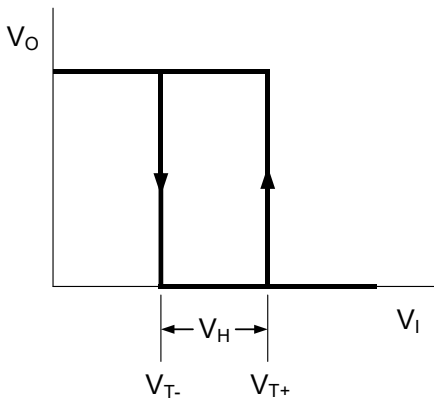
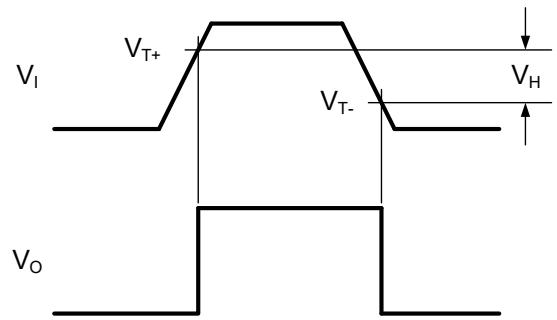


Figure 8-6 Transfer characteristic



$V_{T+}$  and  $V_{T-}$  limits are at 70% and 20%.  
Figure 8-7 Definition of  $V_{T+}$ ,  $V_{T-}$ , and  $V_H$

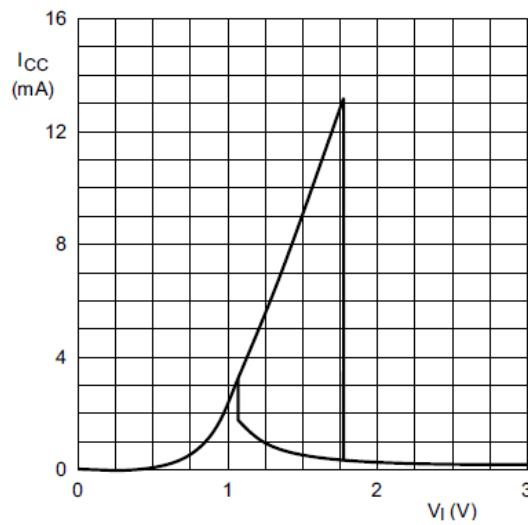


Figure 8-8 Typical CJ74LVC1G57 transfer characteristic;  $V_{CC}=3.0V$

**8.4.4 Measurement Points**

SUPPLY VOLTAGE	INPUT		OUTPUT
$V_{CC}$	$V_M$	$V_I$	$V_M$
1.65V to 1.95V	$0.5 \times V_{CC}$	$V_{CC}$	$0.5 \times V_{CC}$
2.3V to 2.7V	$0.5 \times V_{CC}$	$V_{CC}$	$0.5 \times V_{CC}$
2.7V	1.5V	2.7V	1.5V
3.0V to 3.6V	1.5V	2.7V	1.5V
4.5V to 5.5V	$0.5 \times V_{CC}$	$V_{CC}$	$0.5 \times V_{CC}$

**8.4.5 Test Data**

SUPPLY VOLTAGE	INPUT		LOAD		$V_{EXT}$
$V_{CC}$	$V_I$	$t_r = t_f$	$C_L$	$R_L$	$t_{PLH}, t_{PHL}$
1.65V to 1.95V	$V_{CC}$	$\leq 2.0\text{ns}$	30pF	1k $\Omega$	Open
2.3V to 2.7V	$V_{CC}$	$\leq 2.0\text{ns}$	30pF	500 $\Omega$	Open
2.7V	2.7V	$\leq 2.5\text{ns}$	50pF	500 $\Omega$	Open
3.0V to 3.6V	2.7V	$\leq 2.5\text{ns}$	50pF	500 $\Omega$	Open
4.5V to 5.5V	$V_{CC}$	$\leq 2.5\text{ns}$	50pF	500 $\Omega$	Open

## 9 Typical Application Circuit and Application Note

### 9.1 Function Selection Table

LOGIC FUNCTION	FIGURE
2-input AND	See Figure 9-1
2-input AND with both inputs inverted	See Figure 9-4
2-input NAND with inverted input	See Figure 9-2 and Figure 9-3
2-input OR with inverted input	See Figure 9-2 and Figure 9-3
2-input NOR	See Figure 9-4
2-input NOR with both inputs inverted	See Figure 9-1
2-input XNOR	See Figure 9-5
Inverter	See Figure 9-6
Buffer	See Figure 9-7

9.2 Application Circuit

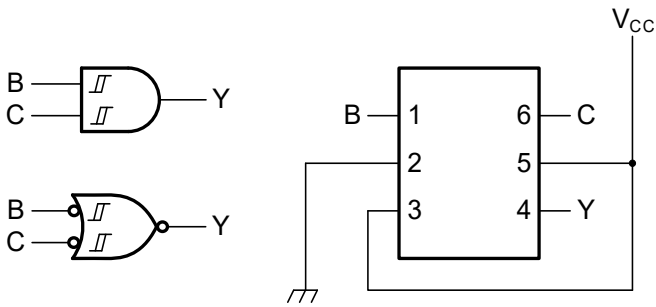


Figure 9-1 2-input AND gate or 2-input NOR gate with both inputs inverted

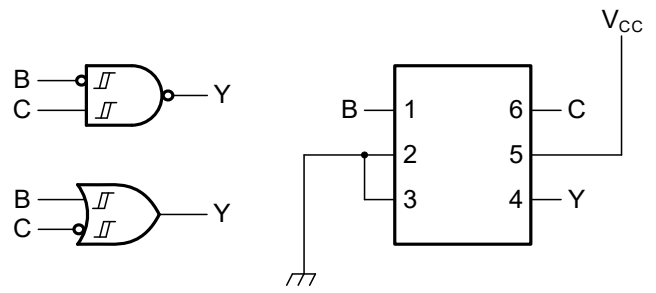


Figure 9-2 2-input NAND gate with input B inverted or 2-input OR gate with inverted C input

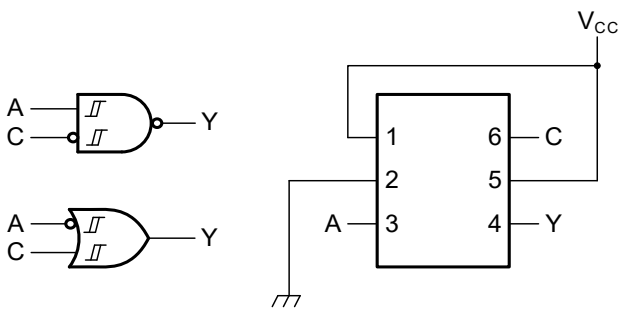


Figure 9-3 2-input NAND gate with input C inverted or 2-input OR gate with inverted A input

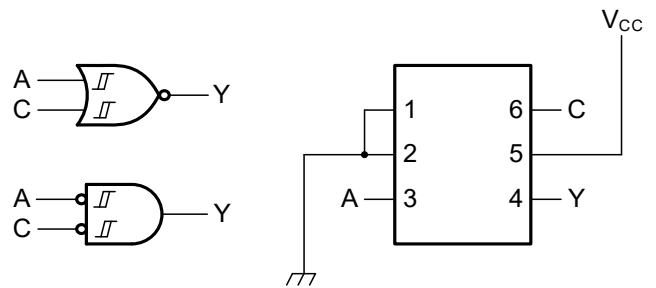


Figure 9-4 2-input NOR gate or 2-input AND gate with both inputs inverted

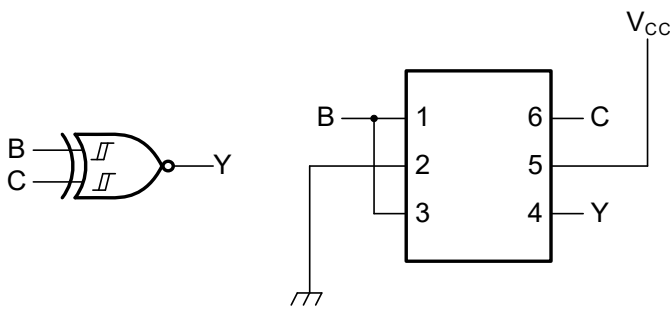


Figure 9-5 2-input XNOR gate

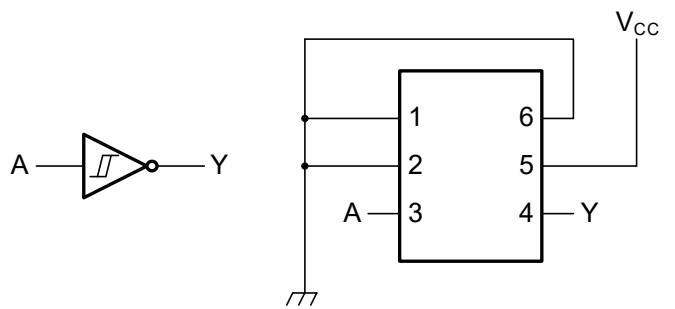


Figure 9-6 Inverter

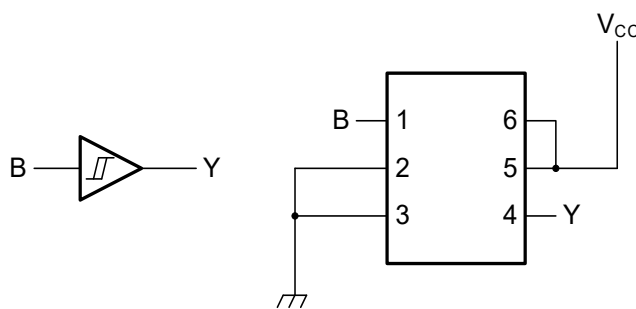
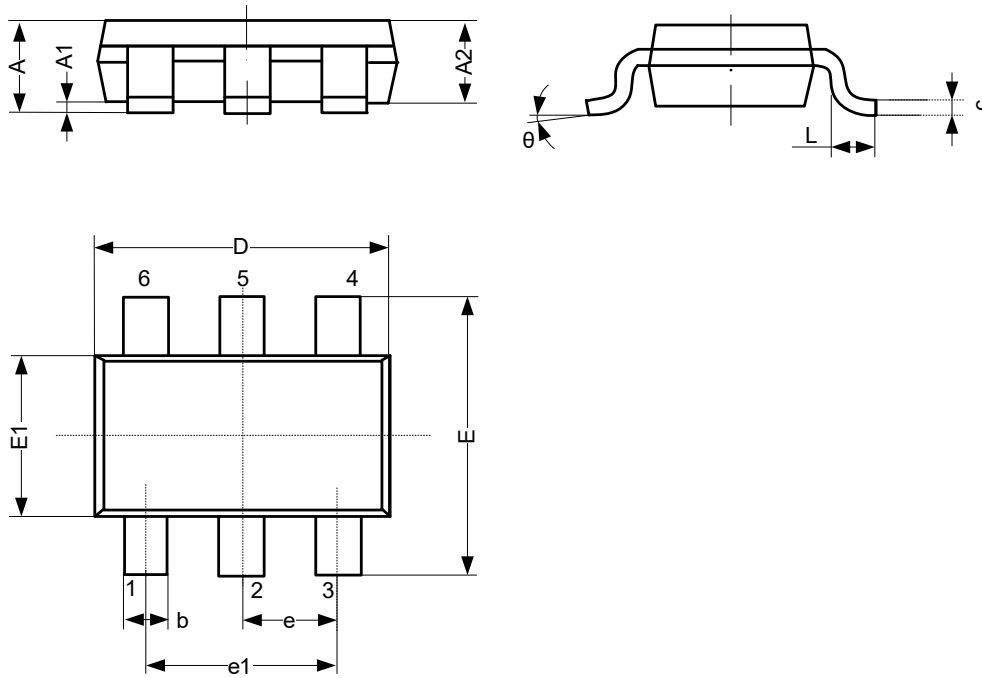


Figure 9-7 Buffer

10 Mechanical Information

10.1 SOT-23-6L Mechanical Information

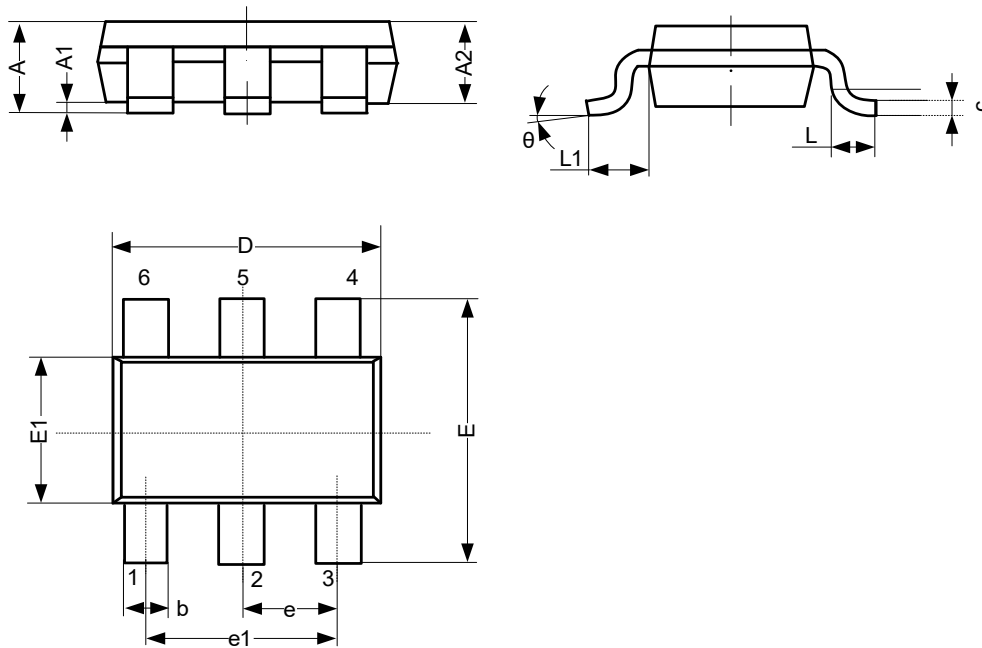
10.1.1 SOT-23-6L Outline Dimensions



SYMBOL	Dimensions In Millimeters		
	Min.	Typ.	Max.
A	-	-	1.25
A1	0.00	-	0.12
A2	1.00	-	1.20
b	0.30	-	0.50
c	0.10	-	0.20
D	2.82	-	3.02
E	2.60	-	3.00
E1	1.50	-	1.70
e	0.95 BSC		
e1	1.80	-	2.00
L	0.30	-	0.60
θ	0°	-	8°
Unit: mm			

10.2 SOT-363 Mechanical Information

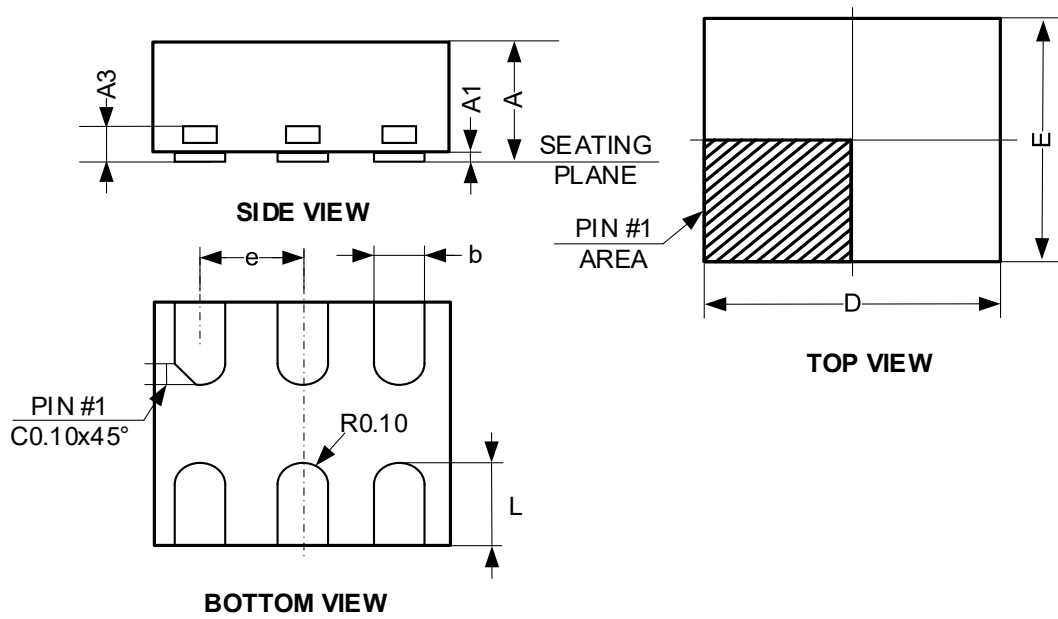
10.2.1 SOT-363 Outline Dimensions



SYMBOL	Dimensions In Millimeters		
	Min.	Typ.	Max.
A	0.90	-	1.10
A1	0.00	-	0.10
A2	0.90	-	1.00
b	0.15	-	0.35
c	0.11	-	0.175
D	2.00	-	2.20
E	2.15	-	2.45
E1	1.15	-	1.35
e	0.65 BSC		
e1	1.20	-	1.40
L	0.26	-	0.46
L1	-	0.525	-
θ	0°	-	8°
Unit: mm			

10.3 DFN1.45x1-6L Mechanical Information

10.3.1 DFN1.45x1-6L Outline Dimensions



SYMBOL	Dimensions In Millimeters		
	Min.	Typ.	Max.
A	0.51	-	0.60
A1	0.00	-	0.05
A3	-	0.15	-
b	0.15	-	0.25
D	-	1.45	-
E	-	1.00	-
e	0.50 BSC		
L	0.25	-	0.45
Unit: mm			

## 11 Notes and Revision History

### 11.1 Associated Product Family and Others

To view other products of the same type or IC products of other types, click the official website of JSCJ -- <https://www.jscj-elec.com> for more details.

### 11.2 Notes

#### Electrostatic Discharge Caution



This IC may be damaged by ESD. Relevant personnel shall comply with correct installation and use specifications to avoid ESD damage to the IC. If appropriate measures are not taken to prevent ESD damage, the hazards caused by ESD include but are not limited to degradation of integrated circuit performance or complete damage of integrated circuit. For some precision integrated circuits, a very small parameter change may cause the whole device to be inconsistent with its published specifications.

# DISCLAIMER

## IMPORTANT NOTICE, PLEASE READ CAREFULLY

The information in this data sheet is intended to describe the operation and characteristics of our products. JSCJ has the right to make any modification, enhancement, improvement, correction or other changes to any content in this data sheet, including but not limited to specification parameters, circuit design and application information, without prior notice.

Any person who purchases or uses JSCJ products for design shall: 1. Select products suitable for circuit application and design; 2. Design, verify and test the rationality of circuit design; 3. Procedures to ensure that the design complies with relevant laws and regulations and the requirements of such laws and regulations. JSCJ makes no warranty or representation as to the accuracy or completeness of the information contained in this data sheet and assumes no responsibility for the application or use of any of the products described in this data sheet.

Without the written consent of JSCJ, this product shall not be used in occasions requiring high quality or high reliability, including but not limited to the following occasions: medical equipment, military facilities and aerospace. JSCJ shall not be responsible for casualties or property losses caused by abnormal use or application of this product.

Official Website: [www.jscj-elec.com](http://www.jscj-elec.com)

Copyright © JIANGSU CHANGJING ELECTRONICS TECHNOLOGY CO., LTD