



CJ7800E Series Three Terminal Voltage Regulator

1 Introduction

The CJ7800E series is a group of three terminal positive voltage linear regulators with multiple fixed output voltages. Under the condition of good heat dissipation, it can provide output current up to 1.5A, and has the functions of internal current limit, short circuit protection, thermal shutdown protection and output transistor SOA protection, which make it relatively difficult to damage. Although designed as fixed voltage regulators without external components, these devices can be used with external components to obtain adjustable voltage and current. Therefore, the CJ7800E series is widely used as fixed voltage regulators, including local (on card) regulators, to eliminate noise and power distribution problems associated with single point regulation.

2 Available Packages

PART NUMBER	PACKAGE
CJ7800E Series	TO-220-3L
	TO-220F
	TO-252-2L
	TO-263-2L

Note: For all available packages, please refer to the part *Orderable Information*.

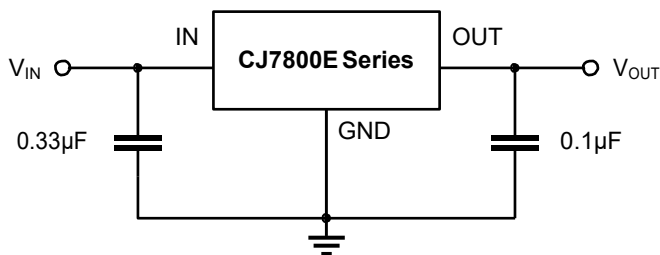


Figure 2-1. Typical Application Circuit

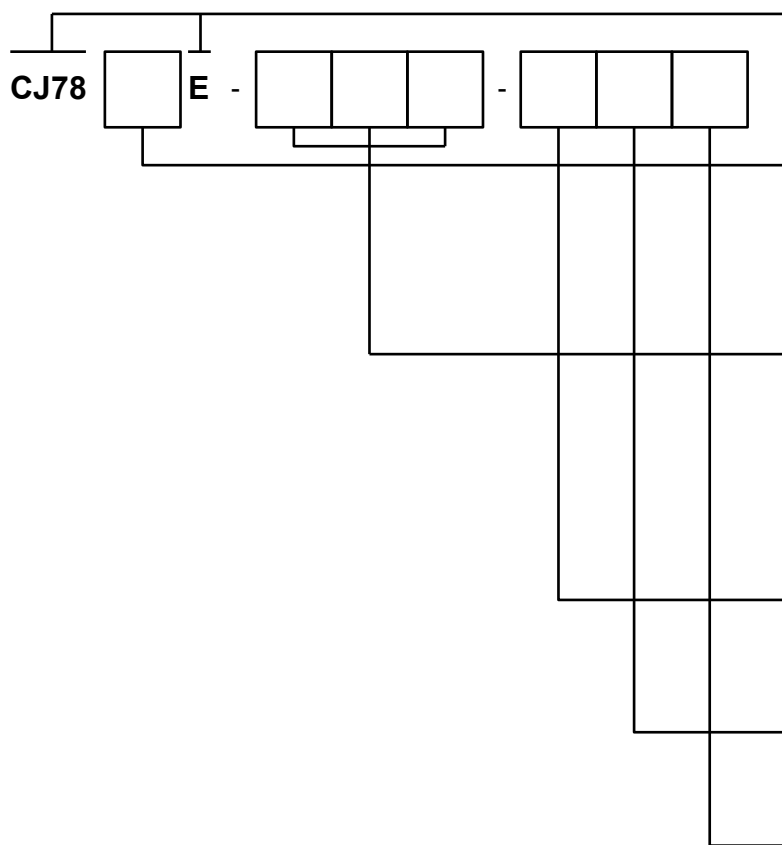
3 Features

- Available Fixed Output Voltage:
 - 5.0V: CJ7805E
 - 6.0V: CJ7806E
 - 8.0V: CJ7808E
 - 9.0V: CJ7809E
 - 12 V: CJ7812E
 - 15 V: CJ7815E
 - 18 V: CJ7818E
 - 24 V: CJ7824E
- Output Current up to 1.5A
- Output Voltage Tolerance at $T_J = 25^\circ\text{C}$:
 - $\pm 2\%$ for Conventional Device
 - $\pm 1\%$ can be Customized
- Operating Junction Temperature:
 - $-40 \sim 125^\circ\text{C}$
- Output Voltage Tolerances of $\pm 4\%$ over the Temperature Range
- Dropout Voltage: $2\text{V}@1\text{A}$
- Power Supply Rejection Ratio:
 - $70\text{dB}@120\text{Hz}$ ($V_{\text{OUT}} = 5.0\text{V}$)
- Output Transistor SOA Protection
- Internal Current Limit
- Short Circuit Protection
- Thermal Shutdown Protection

4 Applications

- AC Inventors
- DC Motor Drivers
- Household Electric Appliances
- HVAC Systems
- Industrial Power Supplies
- SMPS Post Regulation
- Solar Energy String Inventors
- Test and Measurement Equipment

5 Orderable Information



Device serial number.

Output voltage.

- 05: Fixed output 5.0V
- 06: Fixed output 6.0V
- 08: Fixed output 8.0V
- 09: Fixed output 9.0V
- 12: Fixed output 12 V
- 15: Fixed output 15 V
- 18: Fixed output 18 V
- 24: Fixed output 24 V

Package type.

- TBN: TO-220-3L
- TCN: TO-220F
- TDN: TO-251-3L
- TEN: TO-251S
- TFN: TO-252-2L/TO-252-2L(B)
- TGN: TO-263-2L

Output voltage tolerances.

- A: ±2% grade
- B: ±1% grade

Outer package option.

- R: Tape and reel
- T: Tube

Eco-label.

- G: Green device, halogen free and lead free

Figure 5-1. CJ7800E Series Naming Conventions

MODEL	DEVICE	PACKAGE	OP T _J	ECO PLAN	MSL	PACKING OPTION	SORT
Conventional Device							
CJ7800E-5.0	CJ7805E-TBN-ATG	TO-220-3L	-40 ~ 125°C	RoHS & Green	N/A for PkgType	Tube 50 Units / Rail	Active
CJ7800E-6.0	CJ7806E-TBN-ATG	TO-220-3L	-40 ~ 125°C	RoHS & Green	N/A for PkgType	Tube 50 Units / Rail	Active
CJ7800E-8.0	CJ7808E-TBN-ATG	TO-220-3L	-40 ~ 125°C	RoHS & Green	N/A for PkgType	Tube 50 Units / Rail	Active
CJ7800E-9.0	CJ7809E-TBN-ATG	TO-220-3L	-40 ~ 125°C	RoHS & Green	N/A for PkgType	Tube 50 Units / Rail	Active
CJ7800E-12	CJ7812E-TBN-ATG	TO-220-3L	-40 ~ 125°C	RoHS & Green	N/A for PkgType	Tube 50 Units / Rail	Active
CJ7800E-15	CJ7815E-TBN-ATG	TO-220-3L	-40 ~ 125°C	RoHS & Green	N/A for PkgType	Tube 50 Units / Rail	Active

5 Orderable Information

MODEL	DEVICE	PACKAGE	OP T _J	ECO PLAN	MSL	PACKING OPTION	SORT
Conventional Device (continued)							
CJ7800E-18	CJ7818E-TBN-ATG	TO-220-3L	-40 ~ 125°C	RoHS & Green	N/A for PkgType	Tube 50 Units / Rail	Active
CJ7800E-24	CJ7824E-TBN-ATG	TO-220-3L	-40 ~ 125°C	RoHS & Green	N/A for PkgType	Tube 50 Units / Rail	Active
CJ7800E-5.0	CJ7805E-TCN-ATG	TO-220F	-40 ~ 125°C	RoHS & Green	N/A for PkgType	Tube 50 Units / Rail	Active
CJ7800E-6.0	CJ7806E-TCN-ATG	TO-220F	-40 ~ 125°C	RoHS & Green	N/A for PkgType	Tube 50 Units / Rail	Active
CJ7800E-8.0	CJ7808E-TCN-ATG	TO-220F	-40 ~ 125°C	RoHS & Green	N/A for PkgType	Tube 50 Units / Rail	Active
CJ7800E-9.0	CJ7809E-TCN-ATG	TO-220F	-40 ~ 125°C	RoHS & Green	N/A for PkgType	Tube 50 Units / Rail	Active
CJ7800E-12	CJ7812E-TCN-ATG	TO-220F	-40 ~ 125°C	RoHS & Green	N/A for PkgType	Tube 50 Units / Rail	Active
CJ7800E-15	CJ7815E-TCN-ATG	TO-220F	-40 ~ 125°C	RoHS & Green	N/A for PkgType	Tube 50 Units / Rail	Active
CJ7800E-18	CJ7818E-TCN-ATG	TO-220F	-40 ~ 125°C	RoHS & Green	N/A for PkgType	Tube 50 Units / Rail	Active
CJ7800E-24	CJ7824E-TCN-ATG	TO-220F	-40 ~ 125°C	RoHS & Green	N/A for PkgType	Tube 50 Units / Rail	Active
CJ7800E-12	CJ7812E-TDN-ATG	TO-251-3L	-40 ~ 125°C	RoHS & Green	N/A for PkgType	Tube 80 Units / Rail	Active
CJ7800E-5.0	CJ7805E-TFN-ARG	TO-252-2L	-40 ~ 125°C	RoHS & Green	Level 3 168 HR	Tape and Reel 2500 Units / Reel	Active
CJ7800E-6.0	CJ7806E-TFN-ARG	TO-252-2L	-40 ~ 125°C	RoHS & Green	Level 3 168 HR	Tape and Reel 2500 Units / Reel	Active
CJ7800E-8.0	CJ7808E-TFN-ARG	TO-252-2L	-40 ~ 125°C	RoHS & Green	Level 3 168 HR	Tape and Reel 2500 Units / Reel	Active
CJ7800E-9.0	CJ7809E-TFN-ARG	TO-252-2L	-40 ~ 125°C	RoHS & Green	Level 3 168 HR	Tape and Reel 2500 Units / Reel	Active
CJ7800E-12	CJ7812E-TFN-ARG	TO-252-2L	-40 ~ 125°C	RoHS & Green	Level 3 168 HR	Tape and Reel 2500 Units / Reel	Active

5 Orderable Information

MODEL	DEVICE	PACKAGE	OP T _J	ECO PLAN	MSL	PACKING OPTION	SORT
Conventional Device (continued)							
CJ7800E-15	CJ7815E-TFN-ARG	TO-252-2L	-40 ~ 125°C	RoHS & Green	Level 3 168 HR	Tape and Reel 2500 Units / Reel	Active
CJ7800E-18	CJ7818E-TFN-ARG	TO-252-2L	-40 ~ 125°C	RoHS & Green	Level 3 168 HR	Tape and Reel 2500 Units / Reel	Active
CJ7800E-24	CJ7824E-TFN-ARG	TO-252-2L	-40 ~ 125°C	RoHS & Green	Level 3 168 HR	Tape and Reel 2500 Units / Reel	Active
CJ7800E-5.0	CJ7805E-TGN-ARG	TO-263-2L	-40 ~ 125°C	RoHS & Green	N/A for PkgType	Tape and Reel 800 Units / Reel	Active
CJ7800E-6.0	CJ7806E-TGN-ARG	TO-263-2L	-40 ~ 125°C	RoHS & Green	N/A for PkgType	Tape and Reel 800 Units / Reel	Active
CJ7800E-8.0	CJ7808E-TGN-ARG	TO-263-2L	-40 ~ 125°C	RoHS & Green	N/A for PkgType	Tape and Reel 800 Units / Reel	Active
CJ7800E-9.0	CJ7809E-TGN-ARG	TO-263-2L	-40 ~ 125°C	RoHS & Green	N/A for PkgType	Tape and Reel 800 Units / Reel	Active
CJ7800E-12	CJ7812E-TGN-ARG	TO-263-2L	-40 ~ 125°C	RoHS & Green	N/A for PkgType	Tape and Reel 800 Units / Reel	Active
CJ7800E-15	CJ7815E-TGN-ARG	TO-263-2L	-40 ~ 125°C	RoHS & Green	N/A for PkgType	Tape and Reel 800 Units / Reel	Active
CJ7800E-18	CJ7818E-TGN-ARG	TO-263-2L	-40 ~ 125°C	RoHS & Green	N/A for PkgType	Tape and Reel 800 Units / Reel	Active
CJ7800E-24	CJ7824E-TGN-ARG	TO-263-2L	-40 ~ 125°C	RoHS & Green	N/A for PkgType	Tape and Reel 800 Units / Reel	Active
Customized Device							
CJ7800E-x.x	CJ78xxE-TDN-ATG	TO-251-3L	-40 ~ 125°C	RoHS & Green	N/A for PkgType	Tube 80 Units / Rail	Customized
	CJ78xxE-TEN-ATG	TO-251S	-40 ~ 125°C	RoHS & Green	N/A for PkgType	Tube 80 Units / Rail	Customized
CJ7800E-x.x ±1% grade	CJ78xxE-TBN-BTG	TO-220-3L	-40 ~ 125°C	RoHS & Green	N/A for PkgType	Tube 50 Units / Rail	Customized
	CJ78xxE-TCN-BTG	TO-220F	-40 ~ 125°C	RoHS & Green	N/A for PkgType	Tube 50 Units / Rail	Customized

5 Orderable Information

MODEL	DEVICE	PACKAGE	OP T _J	ECO PLAN	MSL	PACKING OPTION	SORT
Customized Device (continued)							
CJ7800E-x.x ±1% grade	CJ78xxE-TDN-BTG	TO-251-3L	-40 ~ 125°C	RoHS & Green	N/A for PkgType	Tube 80 Units / Rail	Customized
	CJ78xxE-TEN-BTG	TO-251S	-40 ~ 125°C	RoHS & Green	N/A for PkgType	Tube 80 Units / Rail	Customized
	CJ78xxE-TFN-BRG	TO-252-2L	-40 ~ 125°C	RoHS & Green	Level 3 168 HR	Tape and Reel 2500 Units / Reel	Customized
	CJ78xxE-TGN-BRG	TO-263-2L	-40 ~ 125°C	RoHS & Green	N/A for PkgType	Tape and Reel 800 Units / Reel	Customized
Others	-	-	-	-	-	-	Customized

Note:

ECO PLAN: For the RoHS and Green certification standards of this product, please refer to the official report provided by JSCJ.

MSL: Moisture Sensitivity Level. Determined according to JEDEC industry standard classification.

SORT: Specifically defined as follows:

Active: Recommended for new products;

Customized: Products manufactured to meet the specific needs of customers;

Preview: The device has been released and has not been fully mass produced. The sample may or may not be available;

NoRD: It is not recommended to use the device for new design. The device is only produced for the needs of existing customers;

Obsolete: The device has been discontinued.

6 Pin Configuration and Marking Information

6.1 Pin Configuration

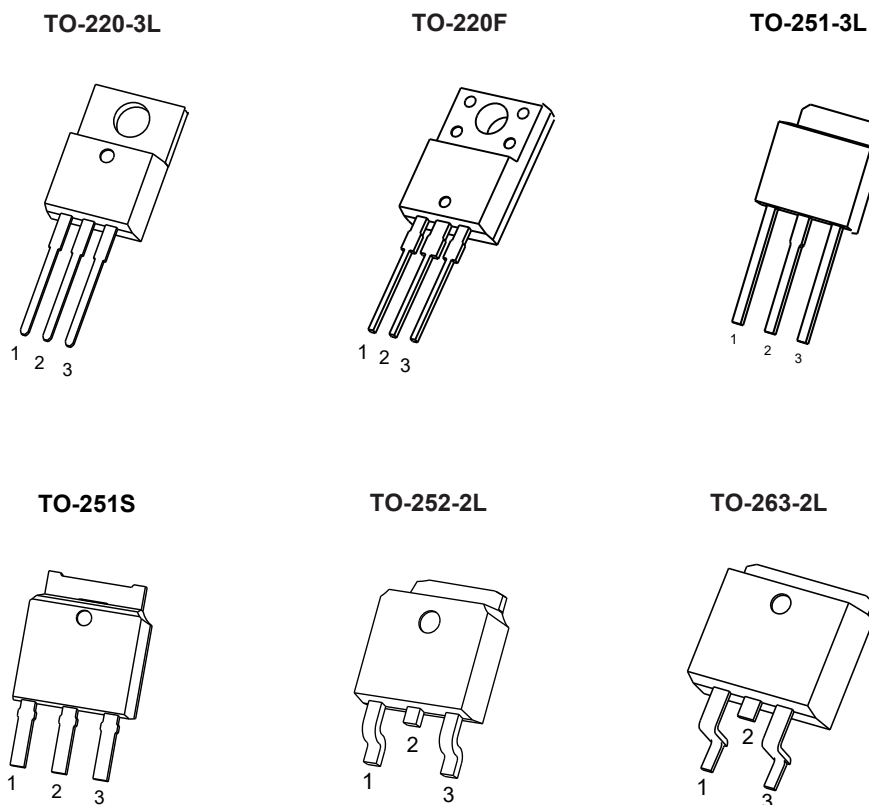


Figure 6-1. Pin Configuration

PIN NAME	CJ7800E Series Pin Configuration						DESCRIPTION
	TO-220-3L	TO-220F	TO-251-3L	TO-251S	TO-252-2L	TO-263-2L	
	(TBN)	(TCN)	(TDN)	(TEN)	(TFN)	(TGN)	
IN	1	1	1	1	1	1	Input of the device.
GND	2	2	2	2	2	2	Regulator ground.
OUT	3	3	3	3	3	3	Output of the device.

6 Pin Configuration and Marking Information

6.2 Marking Information

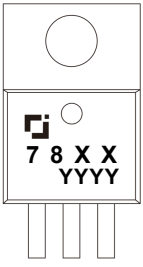
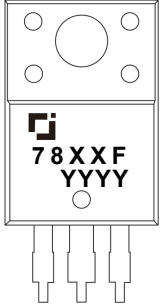
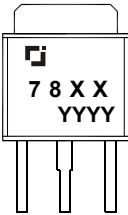
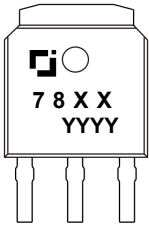
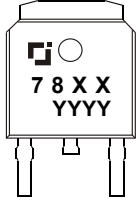
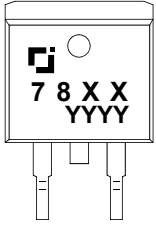
 <p>7 8 X X YYYY</p>	 <p>7 8 X X F YYYY</p>	 <p>7 8 X X YYYY</p>	 <p>7 8 X X YYYY</p>
<p>TO-220-3L</p>	<p>TO-220F</p>	<p>TO-251-3L</p>	<p>TO-251S</p>
 <p>7 8 X X YYYY</p>	 <p>7 8 X X YYYY</p>		
<p>TO-252-2L</p>	<p>TO-263-2L</p>		

Figure 6-2. CJ7800E Series Marking

Note:

"78XX": Device code, the "XX" in the "78XX" represents the output voltage, for example, if $V_{OUT} = 5.0V$, the "XX" is "05".

"YYYY": Code. Indicates weekly record information of production.

7 Specifications

7.1 Absolute Maximum Ratings

(over operating free-air temperature range, unless otherwise specified)

CHARACTERISTIC		SYMBOL	VALUE	UNIT	
Maximum input voltage range ⁽²⁾	5.0 – 18 V	V _{IN MAX}	35	V	
	24 V		40		
Maximum output current		I _{OUT MAX}	1.5	A	
Maximum power dissipation	CJ7800E Series	P _{D Max}	Internally Limited ⁽³⁾	W	
					TO-220-3L
					TO-220F
					TO-251-3L
					TO-251S
					TO-252-2L
Maximum junction temperature		T _{J Max}	150	°C	
Storage temperature		T _{stg}	-65 ~ 150	°C	
Soldering temperature & time		T _{solder}	260°C, 10s	-	

(1) Stresses beyond those listed under *Absolute Maximum Ratings* may cause permanent damage to the device. These are stress ratings only, which do not imply functional operation of the device at these or any other conditions beyond those indicated under *Recommended Operating Conditions*. Exposure to absolute-maximum rated conditions for extended periods may affect device reliability.

(2) All voltages are with respect to network ground terminal.

(3) Refer to *Thermal Information* for details.

7.2 Recommend Operating Conditions

PARAMETER		SYMBOL	MIN.	NOM.	MAX.	UNIT
Input voltage range	CJ7805E	V _{IN}	-	-	32	V
	CJ7806E		-	-	32	
	CJ7808E		-	-	32	
	CJ7809E		-	-	32	
	CJ7812E		-	-	32	
	CJ7815E		-	-	32	
	CJ7818E		-	-	32	
	CJ7824E		-	-	37	
Operating junction temperature		T _J	-40	-	125	°C
Operating ambient temperature		T _A	-	-(4)	-	°C

(4) It is necessary to ensure that the operating junction temperature of the device does not exceed the rated value of the recommended operating conditions when using the device for design.

7 Specifications

7.3 ESD Ratings

ESD RATINGS		SYMBOL	VALUE	UNIT
Electrostatic discharge ⁽⁵⁾	Human body model	V _{ESD-HBM}	6000	V

(5) ESD testing is conducted in accordance with the relevant specifications formulated by the Joint Electronic Equipment Engineering Commission (JEDEC). The human body model (HBM) electrostatic discharge test is based on the JESD22-114D test standard, using a 100pF capacitor and discharging to each pin of the device through a resistance of 1.5kΩ. The electrostatic discharge test in mechanical model (MM) is based on the JESD22-115-A test standard and uses a 200pF capacitor to discharge directly to each pin of the device.

7.4 Thermal Information

THERMAL METRIC ⁽⁶⁾	SYMBOL	CJ7800E Series			UNIT
Junction-to-ambient thermal resistance	R _{θJA}	TO-220-3L	TO-220F	TO-251-3L	°C/W
		65.1	66.4	80.4	
		TO-251S	TO-252-2L	TO-263-2L	
		81.8	78.9	62.3	
Junction-to-case thermal resistance	R _{θJC}	TO-220-3L	TO-220F	TO-251-3L	°C/W
		5.4	6.2	9.1	
		TO-251S	TO-252-2L	TO-263-2L	
		9.7	5.8	5.3	
Reference maximum power dissipation for continuous operation	P _{D Ref}	TO-220-3L	TO-220F	TO-251-3L	W
		1.53	1.51	1.25	
		TO-251S	TO-252-2L	TO-263-2L	
		1.23	1.25	1.60	

(6) T_A = 25°C, all numbers are typical, and apply for packages soldered directly onto a PCB board in still air without extra heat dissipation pads.

7 Specifications

7.5 Electrical Characteristics

CJ7805E ($V_{IN} = 10V$, $I_{OUT} = 500mA$, $C_{IN} = 0.33\mu F$, $C_{OUT} = 0.1\mu F$, $T_J = 25^\circ C$, unless otherwise specified)

CHARACTERISTIC	SYMBOL	TEST CONDITIONS ⁽⁷⁾	MIN.	TYP.	MAX.	UNIT
Output voltage	V_{OUT}	$\pm 2\%$ grade ⁽⁸⁾	4.90	5.00	5.10	V
		$\pm 1\%$ grade ⁽⁸⁾	4.95		5.05	
		$I_{OUT} = 5mA$ to 1A, $V_{IN} = 7.5$ to 20V	4.80	5.00	5.20	
Line regulation	ΔV_{RLINE}	$V_{IN} = 7.5$ to 20V, $I_{OUT} = 500mA$	-	25	50	mV
Load regulation	ΔV_{RLOAD}	$I_{OUT} = 5mA$ to 1.5A	-	20	75	mV
Quiescent current	I_Q	$I_{OUT} = 0mA$	-	5	8	mA
Quiescent current change	ΔI_Q	$I_{OUT} = 5mA$ to 1A	-	0.1	0.8	mA
		$V_{IN} = 8$ to 25V, $I_{OUT} = 500mA$	-	0.3	0.8	
Output voltage temperature coefficient	$\Delta V_{OUT} / \Delta T$	-	-	0.4	-	mV/ $^\circ C$
	$\Delta V_{OUT} / (V_{OUT} \times \Delta T)$	-	-	80	-	ppm/ $^\circ C$
Output noise voltage	V_N	$f = 10$ to 100k Hz, $T_A = 25^\circ C$	-	10	-	$\mu V / V_O$
Ripple rejection	RR	$f = 120Hz$, $V_{IN} = 8$ to 18V, $I_{OUT} = 500mA$	-	70	-	dB
Dropout voltage ⁽⁹⁾	V_D	$I_{OUT} = 1A$	-	2.0	-	V
Output resistance	R_{OUT}	$f = 1kHz$	-	10	-	$m\Omega$
Short circuit current	I_{SC}	$V_{IN} = 35V$	-	10	-	mA
Peak current	I_{PK}	$V_{IN} = 10V$	-	2.5	-	A

Note:

(7) Pulse test technology is used to make T_J as close to T_A as possible. Thermal effects must be considered separately.

(8) $\pm 2\%$ for conventional device, $\pm 1\%$ can be customized.

(9) The difference of output voltage and input voltage when input voltage is decreased gradually till output voltage equals to 95% of V_{OUT} .

7 Specifications

7.5 Electrical Characteristics (continued)

CJ7806E ($V_{IN} = 11V$, $I_{OUT} = 500mA$, $C_{IN} = 0.33\mu F$, $C_{OUT} = 0.1\mu F$, $T_J = 25^\circ C$, unless otherwise specified)

CHARACTERISTIC	SYMBOL	TEST CONDITIONS ⁽⁷⁾	MIN.	TYP.	MAX.	UNIT
Output voltage	V_{OUT}	$\pm 2\%$ grade ⁽⁸⁾	5.88	6.00	6.12	V
		$\pm 1\%$ grade ⁽⁸⁾	5.94		6.06	
		$I_{OUT} = 5mA$ to $1A$, $V_{IN} = 8.6$ to $21V$	5.76	6.00	6.24	
Line regulation	ΔV_{RLINE}	$V_{IN} = 8.6$ to $21V$, $I_{OUT} = 500mA$	-	25	60	mV
Load regulation	ΔV_{RLOAD}	$I_{OUT} = 5mA$ to $1.5A$	-	20	90	mV
Quiescent current	I_Q	$I_{OUT} = 0mA$	-	5.0	8.0	mA
Quiescent current change	ΔI_Q	$I_{OUT} = 5mA$ to $1A$	-	0.1	0.8	mA
		$V_{IN} = 8.6$ to $21V$, $I_{OUT} = 500mA$	-	0.3	0.8	
Output voltage temperature coefficient	$\Delta V_{OUT} / \Delta T$	-	-	0.48	-	mV/ $^\circ C$
	$\Delta V_{OUT} / (V_{OUT} \times \Delta T)$		-	80	-	ppm/ $^\circ C$
Output noise voltage	V_N	$f = 10$ to $100k$ Hz, $T_A = 25^\circ C$	-	10	-	$\mu V / V_O$
Ripple rejection	RR	$f = 120Hz$, $V_{IN} = 9.5$ to $19.5V$, $I_{OUT} = 500mA$	-	65	-	dB
Dropout voltage ⁽⁹⁾	V_D	$I_{OUT} = 1A$	-	2.0	-	V
Output resistance	R_{OUT}	$f = 1kHz$	-	10	-	$m\Omega$
Short circuit current	I_{SC}	$V_{IN} = 35V$	-	10	-	mA
Peak current	I_{PK}	$V_{IN} = 11V$	-	2.5	-	A

Note:

(7) Pulse test technology is used to make T_J as close to T_A as possible. Thermal effects must be considered separately.

(8) $\pm 2\%$ for conventional device, $\pm 1\%$ can be customized.

(9) The difference of output voltage and input voltage when input voltage is decreased gradually till output voltage equals to 95% of V_{OUT} .

7 Specifications

7.5 Electrical Characteristics (continued)

CJ7808E ($V_{IN} = 14V$, $I_{OUT} = 500mA$, $C_{IN} = 0.33\mu F$, $C_{OUT} = 0.1\mu F$, $T_J = 25^\circ C$, unless otherwise specified)

CHARACTERISTIC	SYMBOL	TEST CONDITIONS ⁽⁷⁾	MIN.	TYP.	MAX.	UNIT
Output voltage	V_{OUT}	$\pm 2\%$ grade ⁽⁸⁾	7.84	8.00	8.16	V
		$\pm 1\%$ grade ⁽⁸⁾	7.92		8.08	
		$I_{OUT} = 5mA$ to 1A, $V_{IN} = 10.6V$ to 23V	7.68	8.00	8.32	
Line regulation	ΔV_{RLINE}	$V_{IN} = 10.6$ to 23V, $I_{OUT} = 500mA$	-	25	80	mV
Load regulation	ΔV_{RLOAD}	$I_{OUT} = 5mA$ to 1.5A	-	20	120	mV
Quiescent current	I_Q	$I_{OUT} = 0mA$	-	5.0	8.0	mA
Quiescent current change	ΔI_Q	$I_{OUT} = 5mA$ to 1A	-	0.1	0.8	mA
		$V_{IN} = 10.6$ to 23V, $I_{OUT} = 500mA$	-	0.3	0.8	
Output voltage temperature coefficient	$\Delta V_{OUT} / \Delta T$	-	-	0.64	-	mV/ $^\circ C$
	$\Delta V_{OUT} / (V_{OUT} \times \Delta T)$		-	80	-	ppm/ $^\circ C$
Output noise voltage	V_N	$f = 10$ to 100k Hz, $T_A = 25^\circ C$	-	10	-	$\mu V / V_O$
Ripple rejection	RR	$f = 120Hz$, $V_{IN} = 11.5$ to 21.5V, $I_{OUT} = 500mA$	-	65	-	dB
Dropout voltage ⁽⁹⁾	V_D	$I_{OUT} = 1A$	-	2.0	-	V
Output resistance	R_{OUT}	$f = 1kHz$	-	10	-	$m\Omega$
Short circuit current	I_{SC}	$V_{IN} = 35V$	-	10	-	mA
Peak current	I_{PK}	$V_{IN} = 14V$	-	2.5	-	A

Note:

(7) Pulse test technology is used to make T_J as close to T_A as possible. Thermal effects must be considered separately.

(8) $\pm 2\%$ for conventional device, $\pm 1\%$ can be customized.

(9) The difference of output voltage and input voltage when input voltage is decreased gradually till output voltage equals to 95% of V_{OUT} .

7 Specifications

7.5 Electrical Characteristics (continued)

CJ7809E ($V_{IN} = 15V$, $I_{OUT} = 500mA$, $C_{IN} = 0.33\mu F$, $C_{OUT} = 0.1\mu F$, $T_J = 25^\circ C$, unless otherwise specified)

CHARACTERISTIC	SYMBOL	TEST CONDITIONS ⁽⁷⁾	MIN.	TYP.	MAX.	UNIT
Output voltage	V_{OUT}	$\pm 2\%$ grade ⁽⁸⁾	8.82	9.00	9.18	V
		$\pm 1\%$ grade ⁽⁸⁾	8.91		9.09	
		$I_{OUT} = 5mA$ to 1A, $V_{IN} = 11.5$ to 23V	8.64	9.00	9.36	
Line regulation	ΔV_{RLINE}	$V_{IN} = 11.5$ to 23V, $I_{OUT} = 500mA$	-	25	90	mV
Load regulation	ΔV_{RLOAD}	$I_{OUT} = 5mA$ to 1.5A	-	25	135	mV
Quiescent current	I_Q	$I_{OUT} = 0mA$	-	5.0	8.0	mA
Quiescent current change	ΔI_Q	$I_{OUT} = 5mA$ to 1.5A	-	0.1	0.8	mA
		$V_{IN} = 11.5$ to 23V, $I_{OUT} = 500mA$	-	0.3	0.8	
Output voltage temperature coefficient	$\Delta V_{OUT} / \Delta T$	-	-	0.72	-	mV/ $^\circ C$
	$\Delta V_{OUT} / (V_{OUT} \times \Delta T)$		-	80	-	ppm/ $^\circ C$
Output noise voltage	V_N	$f = 10$ to 100k Hz, $T_A = 25^\circ C$	-	10	-	$\mu V / V_O$
Ripple rejection	RR	$f = 120Hz$, $V_{IN} = 11.5$ to 21.5V, $I_{OUT} = 500mA$	-	65	-	dB
Dropout voltage ⁽⁹⁾	V_D	$I_{OUT} = 1A$	-	2.0	-	V
Output resistance	R_{OUT}	$f = 1kHz$	-	10	-	$m\Omega$
Short circuit current	I_{SC}	$V_{IN} = 35V$	-	10	-	mA
Peak current	I_{PK}	$V_{IN} = 15V$	-	2.5	-	A

Note:

(7) Pulse test technology is used to make T_J as close to T_A as possible. Thermal effects must be considered separately.

(8) $\pm 2\%$ for conventional device, $\pm 1\%$ can be customized.

(9) The difference of output voltage and input voltage when input voltage is decreased gradually till output voltage equals to 95% of V_{OUT} .

7 Specifications

7.5 Electrical Characteristics (continued)

CJ7812E ($V_{IN} = 19V$, $I_{OUT} = 500mA$, $C_{IN} = 0.33\mu F$, $C_{OUT} = 0.1\mu F$, $T_J = 25^\circ C$, unless otherwise specified)

CHARACTERISTIC	SYMBOL	TEST CONDITIONS ⁽⁷⁾	MIN.	TYP.	MAX.	UNIT
Output voltage	V_{OUT}	$\pm 2\%$ grade ⁽⁸⁾	11.76	12.00	12.24	V
		$\pm 1\%$ grade ⁽⁸⁾	11.88		12.12	
		$I_{OUT} = 5mA$ to $1A$, $V_{IN} = 14.8$ to $27V$	11.52	12.00	12.48	
Line regulation	ΔV_{RLINE}	$V_{IN} = 14.8$ to $27V$, $I_{OUT} = 500mA$	-	25	120	mV
Load regulation	ΔV_{RLOAD}	$I_{OUT} = 5mA$ to $1.5A$	-	25	180	mV
Quiescent current	I_Q	$I_{OUT} = 0mA$	-	5.0	8.0	mA
Quiescent current change	ΔI_Q	$I_{OUT} = 5mA$ to $1.5A$	-	0.1	0.8	mA
		$V_{IN} = 14.8$ to $30V$, $I_{OUT} = 500mA$	-	0.3	0.8	
Output voltage temperature coefficient	$\Delta V_{OUT} / \Delta T$	-	-	0.96	-	mV/ $^\circ C$
	$\Delta V_{OUT} / (V_{OUT} \times \Delta T)$		-	80	-	ppm/ $^\circ C$
Output noise voltage	V_N	$f = 10$ to $100k$ Hz, $T_A = 25^\circ C$	-	10	-	$\mu V / V_O$
Ripple rejection	RR	$f = 120Hz$, $V_{IN} = 15$ to $25V$, $I_{OUT} = 500mA$	-	65	-	dB
Dropout voltage ⁽⁹⁾	V_D	$I_{OUT} = 1A$	-	2.0	-	V
Output resistance	R_{OUT}	$f = 1kHz$	-	11	-	$m\Omega$
Short circuit current	I_{SC}	$V_{IN} = 35V$	-	10	-	mA
Peak current	I_{PK}	$V_{IN} = 18V$	-	2.5	-	A

Note:

(7) Pulse test technology is used to make T_J as close to T_A as possible. Thermal effects must be considered separately.

(8) $\pm 2\%$ for conventional device, $\pm 1\%$ can be customized.

(9) The difference of output voltage and input voltage when input voltage is decreased gradually till output voltage equals to 95% of V_{OUT} .

7 Specifications

7.5 Electrical Characteristics (continued)

CJ7815E ($V_{IN} = 23V$, $I_{OUT} = 500mA$, $C_{IN} = 0.33\mu F$, $C_{OUT} = 0.1\mu F$, $T_J = 25^\circ C$, unless otherwise specified)

CHARACTERISTIC	SYMBOL	TEST CONDITIONS ⁽⁷⁾	MIN.	TYP.	MAX.	UNIT
Output voltage	V_{OUT}	$\pm 2\%$ grade ⁽⁸⁾	14.70	15.00	15.30	V
		$\pm 1\%$ grade ⁽⁸⁾	14.85		15.15	
		$I_{OUT} = 5mA$ to 1A, $V_{IN} = 17.9$ to 30V	14.40	15.00	15.60	
Line regulation	ΔV_{RLINE}	$V_{IN} = 17.9$ to 30V, $I_{OUT} = 500mA$	-	25	150	mV
Load regulation	ΔV_{RLOAD}	$I_{OUT} = 5mA$ to 1.5A	-	30	225	mV
Quiescent current	I_Q	$I_{OUT} = 0mA$	-	5.0	8.0	mA
Quiescent current change	ΔI_Q	$I_{OUT} = 5mA$ to 1A	-	0.1	0.8	mA
		$V_{IN} = 17.9$ to 30V, $I_{OUT} = 500mA$	-	0.3	0.8	
Output voltage temperature coefficient	$\Delta V_{OUT} / \Delta T$	-	-	1.2	-	mV/ $^\circ C$
	$\Delta V_{OUT} / (V_{OUT} \times \Delta T)$		-	80	-	ppm/ $^\circ C$
Output noise voltage	V_N	$f = 10$ to 100k Hz, $T_A = 25^\circ C$	-	10	-	$\mu V / V_O$
Ripple rejection	RR	$f = 120Hz$, $V_{IN} = 18.5$ to 28.5V, $I_{OUT} = 500mA$	-	65	-	dB
Dropout voltage ⁽⁹⁾	V_D	$I_{OUT} = 1A$	-	2.0	-	V
Output resistance	R_{OUT}	$f = 1kHz$	-	18	-	$m\Omega$
Short circuit current	I_{SC}	$V_{IN} = 35V$	-	10	-	mA
Peak current	I_{PK}	$V_{IN} = 21V$	-	2.5	-	A

Note:

(7) Pulse test technology is used to make T_J as close to T_A as possible. Thermal effects must be considered separately.

(8) $\pm 2\%$ for conventional device, $\pm 1\%$ can be customized.

(9) The difference of output voltage and input voltage when input voltage is decreased gradually till output voltage equals to 95% of V_{OUT} .

7 Specifications

7.5 Electrical Characteristics (continued)

CJ7818E ($V_{IN} = 27V$, $I_{OUT} = 500mA$, $C_{IN} = 0.33\mu F$, $C_{OUT} = 0.1\mu F$, $T_J = 25^\circ C$, unless otherwise specified)

CHARACTERISTIC	SYMBOL	TEST CONDITIONS ⁽⁷⁾	MIN.	TYP.	MAX.	UNIT
Output voltage	V_{OUT}	$\pm 2\%$ grade ⁽⁸⁾	17.64	18.00	18.36	V
		$\pm 1\%$ grade ⁽⁸⁾	17.82		18.18	
		$I_{OUT} = 5mA$ to $1A$, $V_{IN} = 21$ to $33V$,	17.28	18.00	18.72	
Line regulation	ΔV_{RLINE}	$V_{IN} = 21$ to $33V$, $I_{OUT} = 500mA$	-	25	180	mV
Load regulation	ΔV_{RLOAD}	$I_{OUT} = 5mA$ to $1.5A$	-	35	270	mV
Quiescent current	I_Q	$I_{OUT} = 0mA$	-	5.0	8.0	mA
Quiescent current change	ΔI_Q	$I_{OUT} = 5mA$ to $1A$	-	0.1	0.8	mA
		$V_{IN} = 21$ to $33V$, $I_{OUT} = 500mA$	-	0.3	0.8	
Output voltage temperature coefficient	$\Delta V_{OUT} / \Delta T$	-	-	1.44	-	mV/ $^\circ C$
	$\Delta V_{OUT} / (V_{OUT} \times \Delta T)$		-	80	-	ppm/ $^\circ C$
Output noise voltage	V_N	$f = 10$ to $100k$ Hz, $T_A = 25^\circ C$	-	10	-	$\mu V / V_O$
Ripple rejection	RR	$f = 120Hz$, $V_{IN} = 22$ to $32V$, $I_{OUT} = 500mA$	-	65	-	dB
Dropout voltage ⁽⁹⁾	V_D	$I_{OUT} = 1A$	-	2.0	-	V
Output resistance	R_{OUT}	$f = 1kHz$	-	10	-	$m\Omega$
Short circuit current	I_{SC}	$V_{IN} = 35V$	-	10	-	mA
Peak current	I_{PK}	-	-	2.5	-	A

Note:

(7) Pulse test technology is used to make T_J as close to T_A as possible. Thermal effects must be considered separately.

(8) $\pm 2\%$ for conventional device, $\pm 1\%$ can be customized.

(9) The difference of output voltage and input voltage when input voltage is decreased gradually till output voltage equals to 95% of V_{OUT} .

7 Specifications

7.5 Electrical Characteristics (continued)

CJ7824E ($V_{IN} = 33V$, $I_{OUT} = 500mA$, $C_{IN} = 0.33\mu F$, $C_{OUT} = 0.1\mu F$, $T_J = 25^\circ C$, unless otherwise specified)

CHARACTERISTIC	SYMBOL	TEST CONDITIONS ⁽⁷⁾	MIN.	TYP.	MAX.	UNIT
Output voltage	V_{OUT}	$\pm 2\%$ grade ⁽⁸⁾	23.52	24.00	24.48	V
		$\pm 1\%$ grade ⁽⁸⁾	23.76		24.24	
		$I_{OUT} = 5mA$ to 1A, $V_{IN} = 27.3V$ to 38V	23.04	24.00	24.96	
Line regulation	ΔV_{RLINE}	$V_{IN} = 27V$ to 38V, $I_{OUT} = 500mA$	-	25	240	mV
Load regulation	ΔV_{RLOAD}	$I_{OUT} = 5mA$ to 1.5A	-	40	360	mV
Quiescent current	I_Q	$I_{OUT} = 0mA$	-	5.0	8.0	mA
Quiescent current change	ΔI_Q	$I_{OUT} = 5mA$ to 1A	-	0.1	0.8	mA
		$V_{IN} = 27$ to 38V, $I_{OUT} = 500mA$	-	0.3	0.8	
Output voltage temperature coefficient	$\Delta V_{OUT} / \Delta T$	-	-	1.92	-	mV/ $^\circ C$
	$\Delta V_{OUT} / (V_{OUT} \times \Delta T)$	-	-	80	-	ppm/ $^\circ C$
Output noise voltage	V_N	$f = 10$ to 100k Hz, $T_A = 25^\circ C$	-	10	-	$\mu V / V_O$
Ripple rejection	RR	$f = 120Hz$, $V_{IN} = 28V$ to 38V, $I_{OUT} = 500mA$	-	65	-	dB
Dropout voltage ⁽⁹⁾	V_D	$I_{OUT} = 1A$	-	2.0	-	V
Output resistance	R_{OUT}	$f = 1kHz$	-	1.4	-	m Ω
Short circuit current	I_{SC}	$V_{IN} = 35V$	-	10	-	mA
Peak current	I_{PK}	-	-	2.5	-	A

Note:

(7) Pulse test technology is used to make T_J as close to T_A as possible. Thermal effects must be considered separately.

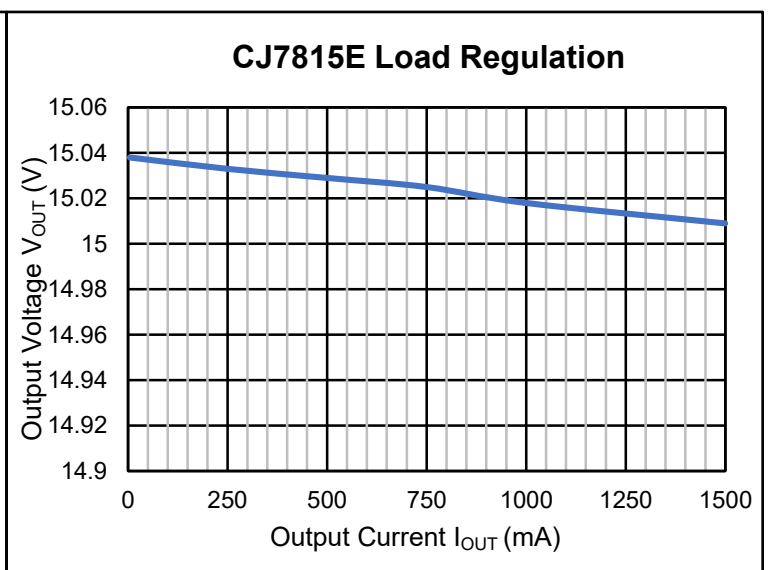
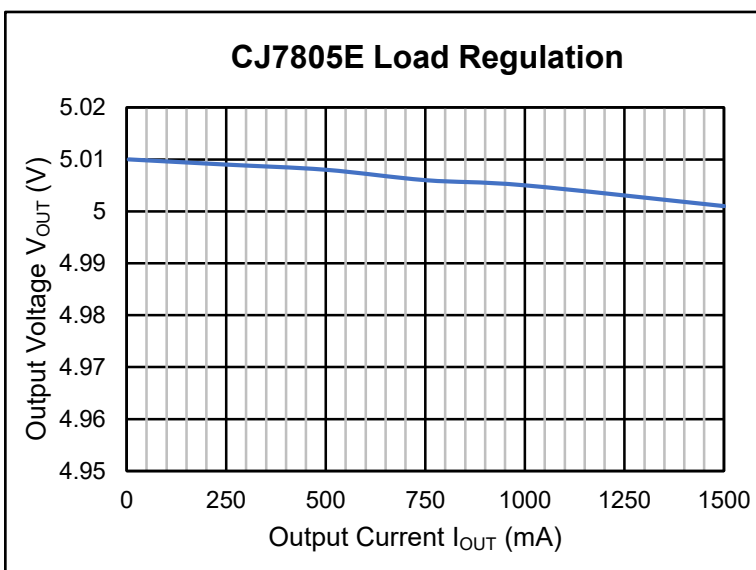
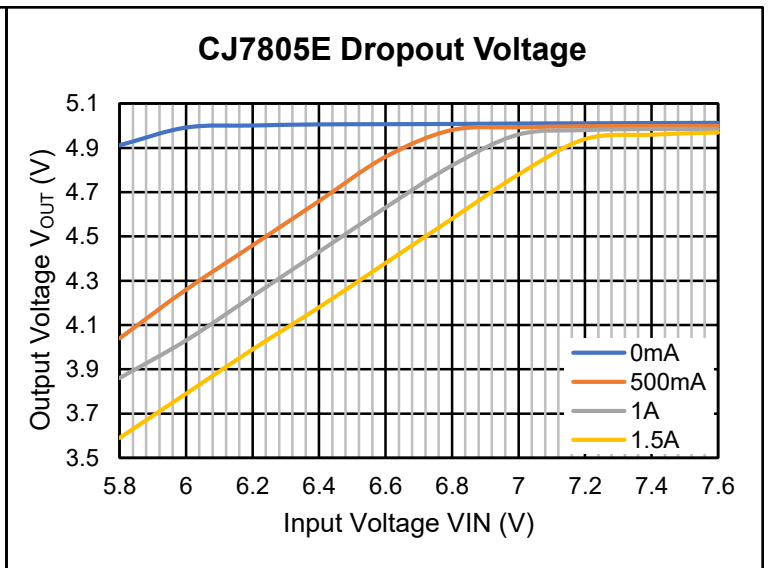
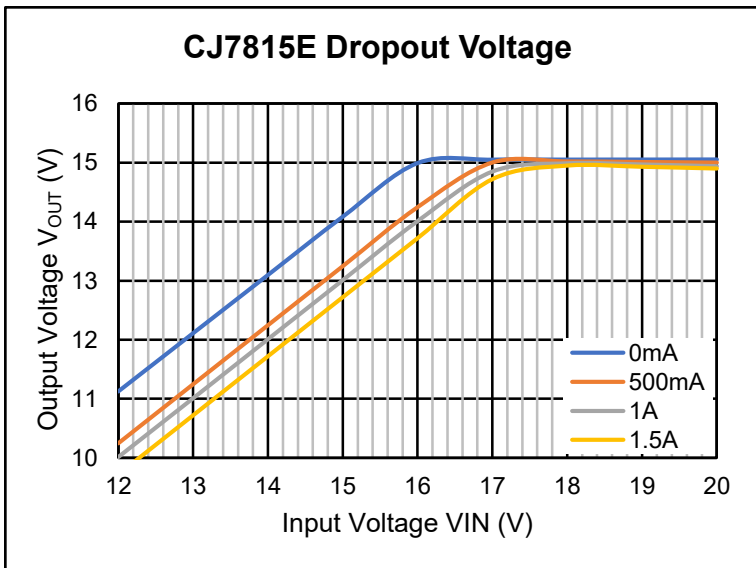
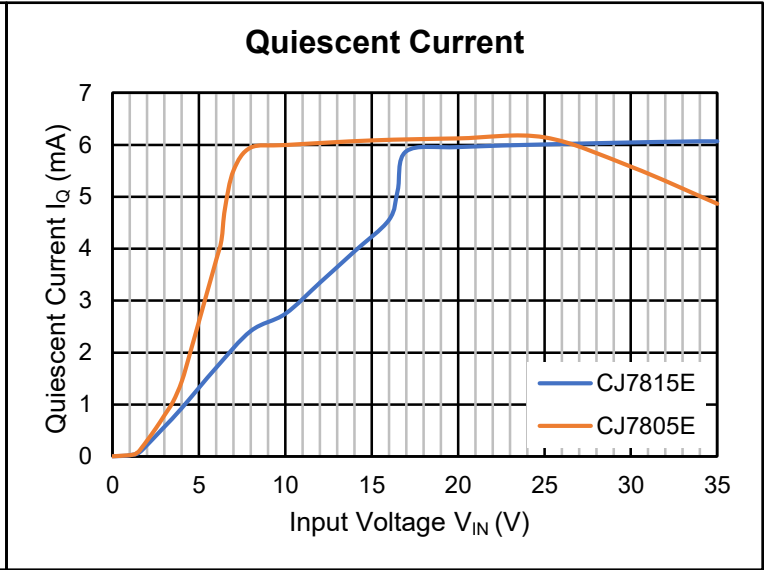
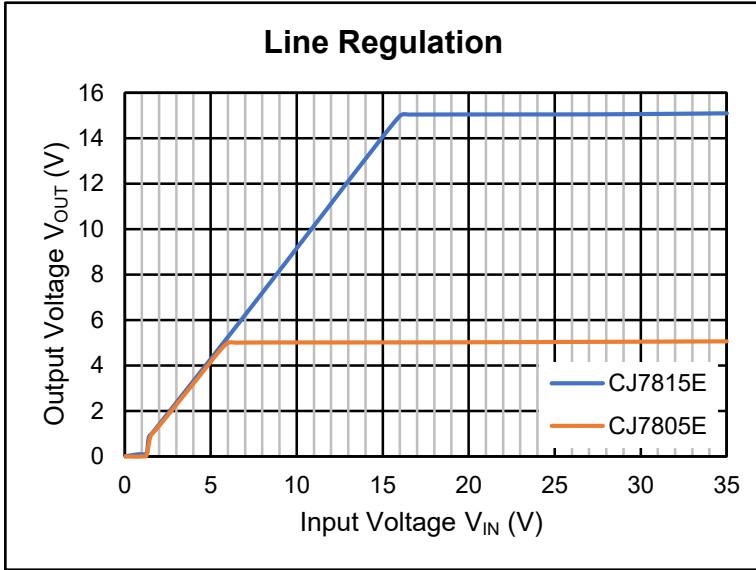
(8) $\pm 2\%$ for conventional device, $\pm 1\%$ can be customized.

(9) The difference of output voltage and input voltage when input voltage is decreased gradually till output voltage equals to 95% of V_{OUT} .

7 Specifications

7.6 Typical Characteristics

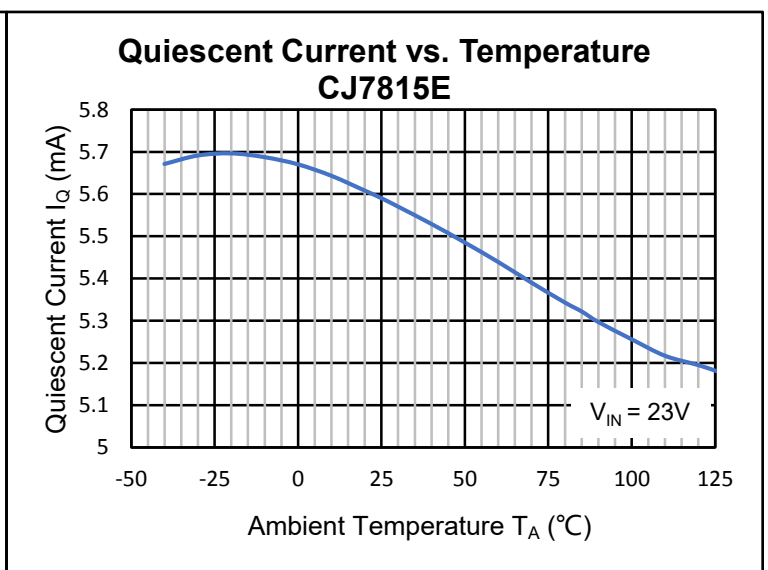
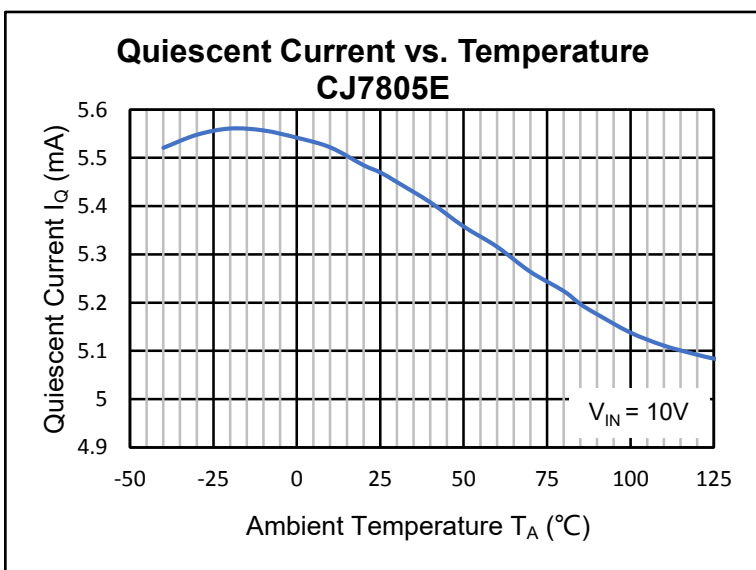
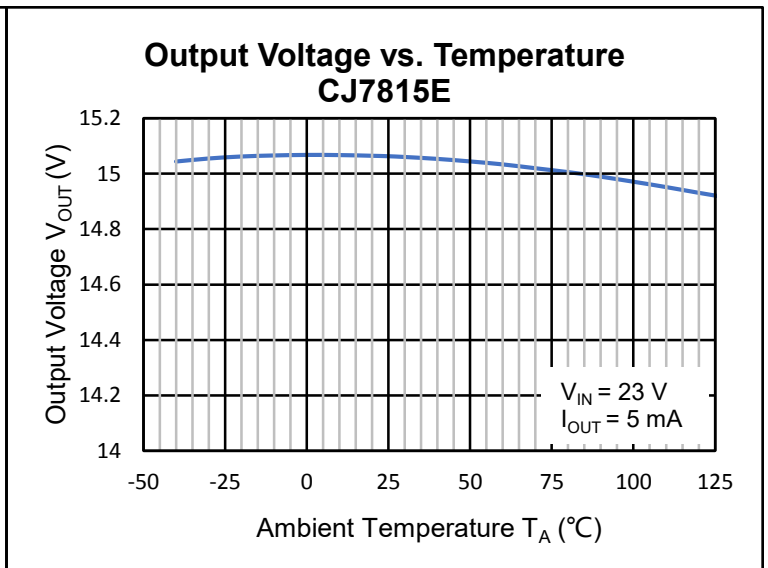
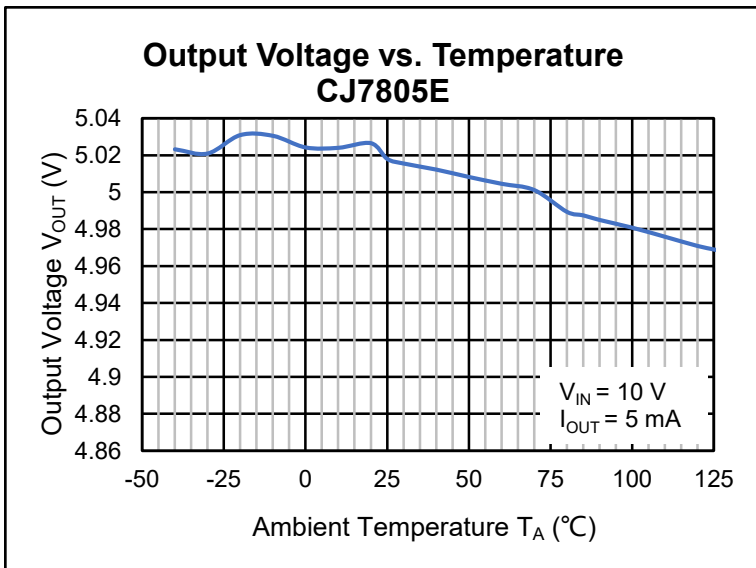
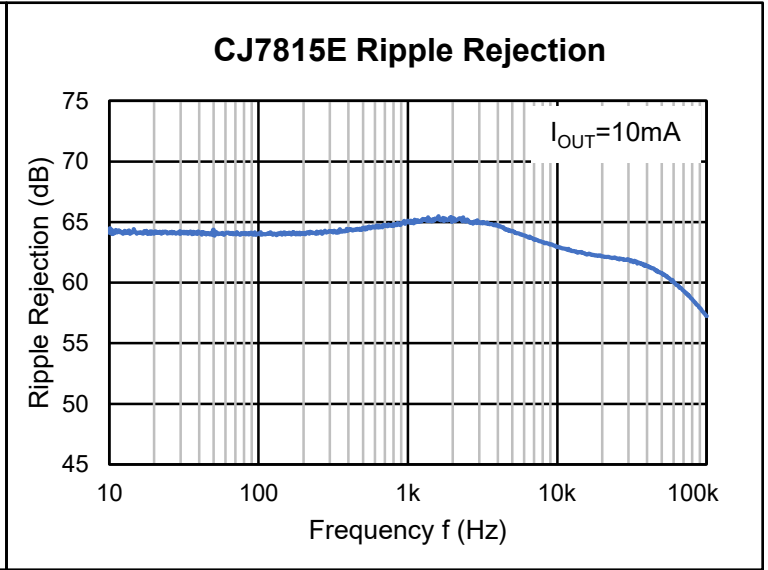
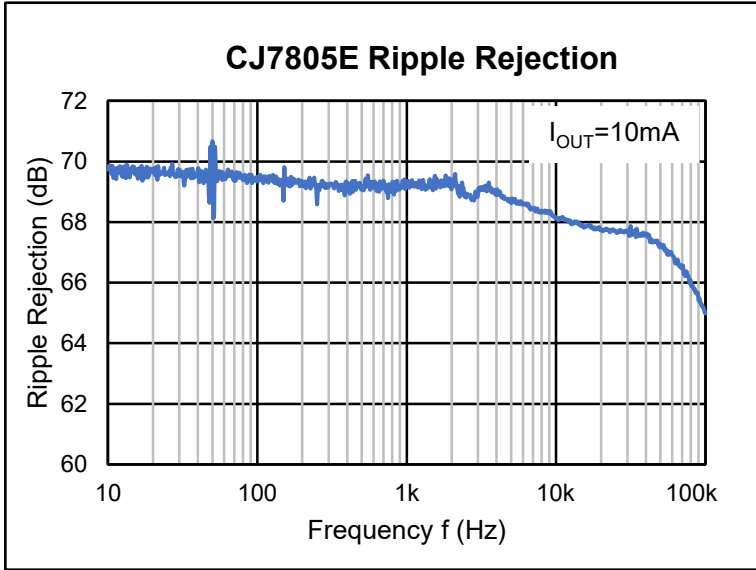
CJ7800E Series ($V_{IN} = 10V$ for CJ7805E, $V_{IN} = 23V$ for CJ7815E, $I_{OUT} = 500mA$, $C_{IN} = 0.33\mu F$, $C_{OUT} = 0.1\mu F$, $T_A = 25^\circ C$, unless otherwise specified)



7 Specifications

7.6 Typical Characteristics (continued)

CJ7800E Series ($V_{IN} = 10V$ for CJ7805E, $V_{IN} = 23V$ for CJ7815E, $I_{OUT} = 500mA$, $C_{IN} = 0.33\mu F$, $C_{OUT} = 0.1\mu F$, $T_A = 25^\circ C$, unless otherwise specified)



7 Specifications

7.6 Typical Characteristics (continued)

CJ7800E Series ($V_{IN} = 10V$ for CJ7805E, $V_{IN} = 23V$ for CJ7815E, $I_{OUT} = 500mA$, $C_{IN} = 0.33\mu F$, $C_{OUT} = 0.1\mu F$, $T_A = 25^\circ C$, unless otherwise specified)

Load Transient

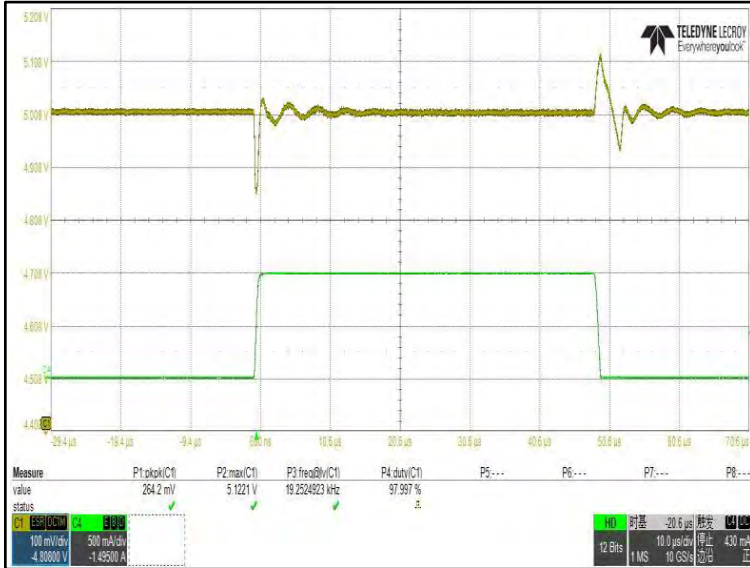
CJ7805E, $V_{IN} = 10V$, CH₁: V_{OUT}, CH₄: I_{OUT}

$I_{OUT} = 10$ to $1000mA$

Load Transient

CJ7815E, $V_{IN} = 23V$, CH₁: V_{OUT}, CH₄: I_{OUT}

$I_{OUT} = 1.5$ to $1000mA$

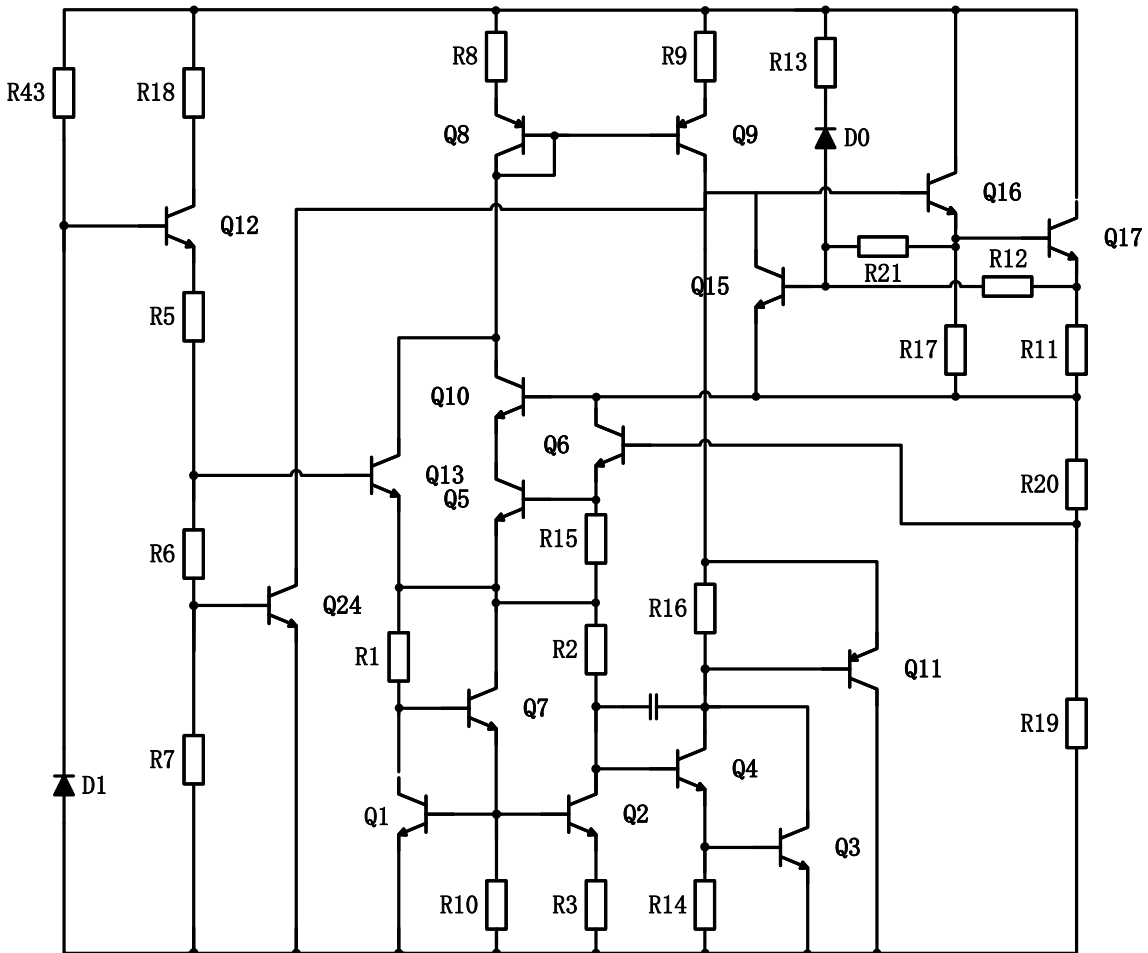


8 Detailed Description

8.1 Description

The CJ7800E series is a group of fixed output positive voltage regulators. It integrates built-in current limit, short-circuit protection, thermal overload protection and safe operating area protection of output transistor, which makes it relatively difficult to be damaged. By setting the resistance value of peripheral resistance, the CJ7800E series can also be used as adjustable voltage output regulator.

8.2 Representative Schematic Diagram



8.3 Feature Description

Input Voltage

When the input voltage is lower than the rated range of the data sheet, the device will lose the regulation function of stabilizing the output voltage, that is, it is unable to maintain the output voltage within the rated range. When the input voltage is higher than the rated range of the data sheet, the device may cause irreversible damage or failure due to exceeding the maximum rated range of electrical stress.

Built-in Current Limit & Short Circuit Protection

The CJ7800E series has built-in current limit and short circuit protection. When the output current of the device is too high, the output of the device will be shut down. When the output of the device is short circuited to ground, the output of the device will also be shut down and the output current will be maintained within a certain range. The typical current limits for the CJ7800E series is 2.2A.

8 Detailed Description

8.3 Feature Description (continued)

Thermal Shutdown Protection

The CJ7800E series has thermal shutdown protection. When the junction temperature exceeds the rated temperature range for normal operation in the data sheet, the device will enter the thermal shutdown state. At this time, the output voltage of the device will be reduced to prevent catastrophic damage to the chip due to accidental heat. When the junction temperature decreases and no longer remains too high, the device will release the thermal shutdown and output normally. To ensure reliable operation, please limit the junction temperature to the specified range of recommended operating conditions in the data sheet. Applications that exceed the recommended temperature range may cause the device to exceed its operating specifications.

Although the internal protection circuitry of the device is designed to protect against thermal overall conditions, this circuitry is not intended to replace proper heat sinking. Continuously running the device into thermal shutdown or above the maximum recommended junction temperature reduces long-term reliability.

Output Current

Due to the internal integration of thermal shutdown protection, in the case of large output current, the device may enter the thermal shutdown state because the junction temperature is higher than the rated value in the data sheet. Therefore, the appropriate package should be selected for circuit design according to the heat dissipation power consumption of the package and the effective connection thermal resistance with the environment, so as to make the device emit more heat energy, so as to ensure the maximum load current capacity of the device. If the circuit design is appropriate and the device has good heat dissipation conditions, the CJ7800E series can output a current of up to 1.5A.

9 Application and Implementation

9.1 Risk Alert and Precautions

The CJ7800E series is designed with thermal protection, output short circuit protection and output transistor SOA protection. However, like any IC regulator, precautions are necessary to reduce the possibility of accidental damage to the regulator. The following describes the possible causes of unit damage or failure:

Electrostatic Discharge (ESD) and Instantaneous Electrical Surge

Electrostatic discharge (ESD) is a common near-field hazard source. It comes from many sources, such as human body, mechanical equipment and electronic components themselves. ESD can cause phenomena such as high voltage and instantaneous high current in a very short time, resulting in damage or failure of the device due to electric shock.

In some applications, a short duration but high energy spike may occur in the circuit, including peak voltage and surge current. They may cause unstable operation of the regulator, accelerated aging and potential hazards, and even damage or malfunction of the regulator. These peaks are usually more likely to occur in hot-plug, switch inductance, heavy-load, and other types of circuits.

Precautions for ESD and Electrical Surge

In the practical application of the circuit, adopting the following suggestions can reduce the possibility of device failure due to the above reasons to a certain extent.

Using TVS:

Place a TVS between the IN and GND of the voltage regulator to absorb the peak voltage that may be generated due to ESD or other reasons. As shown in Figure 9-4;

Using Input Resistor:

Place a resistor with appropriate resistance in series before the IN of the voltage regulator, which can help the voltage regulator share part of the energy in case of surge. The resistance value of the resistance should not be too large. The specific resistance value depends on the application of the circuit. Generally, the resistance value of this resistance does not exceed 20Ω . As shown in Figure 9-5;

Using Electrolytic Capacitor:

For the application circuit using the low ESR multilayer ceramic capacitor (MLCC) type input capacitor, the LC resonant voltage spike caused by hot plugging or power transmission line inductance can be suppressed by using RC suppression circuit for parallel connection of the input capacitor. A very simple method is to parallel a suitable electrolytic capacitor to the input capacitor. As shown in Figure 9-6. For most $100\mu\text{F}/25\text{V}$ electrolytic capacitor has an ESR of about 0.2Ω at 100kHz . This can completely suppress the overshoot phenomenon of the input and minimize the possibility of IC damage due to input voltage spikes.

Figure 9-1 and Figure 9-2 show the impact of not using electrolytic capacitor [Test circuit is shown in Figure 9-3] and using $100\mu\text{F}/25\text{V}$ electrolytic capacitor parallel to the input capacitor [Test circuit is shown in Figure 9-6] on suppressing surge voltage. As shown in Figure 9-1., when the input is powered on from 0 to 10V, a peak voltage of up to 15V (shown in the RED part) is generated in front of the input terminal of the device. When the electrolytic capacitor is used, as shown in Figure 9-2., the peak voltage generated by power on is effectively suppressed (shown in the GREEN part).

9 Application and Implementation

9.1 Risk Alert and Precautions (continued)

Test Condition: CJ7805E, $C_{IN} = 10\mu\text{F}$ (MLCC), $C_{OUT} = 100\mu\text{F}$, $V_{IN} = 0 \sim 10\text{V}$, $I_{OUT} = 100\text{mA}$, CH₁: V_{IN} , CH₂: V_{OUT} .

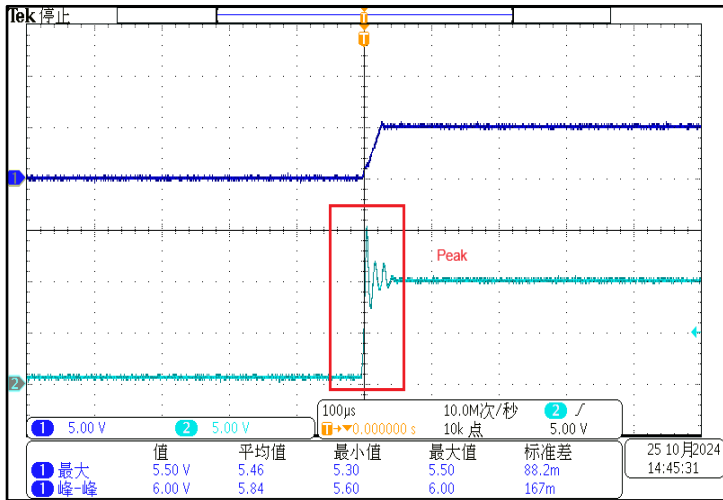


Figure 9-1. Test with the conventional circuit

[Test Circuit is shown in Figure 9-3]

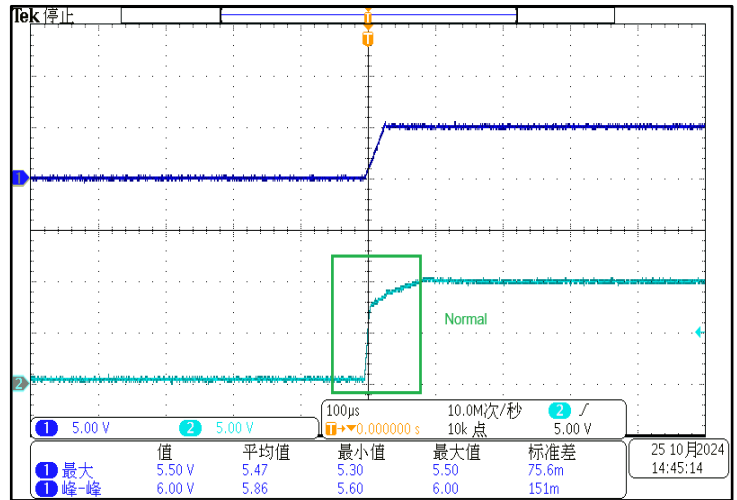


Figure 9-2. Test with the circuit that a $100\mu\text{F}/25\text{V}$ electrolytic capacitor parallel to the C_{IN}
[Test Circuit is shown in Figure 9-6]

For the CJ7800E series, it is recommended that the input peak voltage should not exceed 36V. When the input voltage of the operating circuit may not meet the application conditions described above, it is recommended to adopt the circuit layout shown in Figure 9-5 in the circuit design.

Large Output Capacitance

The CJ7800E series can obtain better transient response with the help of output capacitance. However, if the output capacitor is relatively large, the surge current generated by the charging of the output capacitor will also be large at the moment of power on of the regulator, and the large surge current passing through the regulator may damage the internal circuit. When the output capacitance is large, adopting the circuit design shown in Figure 9-5 will reduce the possibility of damage to the device due to large surge current to a certain extent. It is recommended that the selection of output capacitor should not exceed $20\mu\text{F}$. If the selection of output capacitor exceeds $20\mu\text{F}$, it is recommended to adopt the circuit design in Figure 9-5 to reduce the possibility of accidental failure of the device due to large surge current during power on.

9.2 Typical Application Circuits

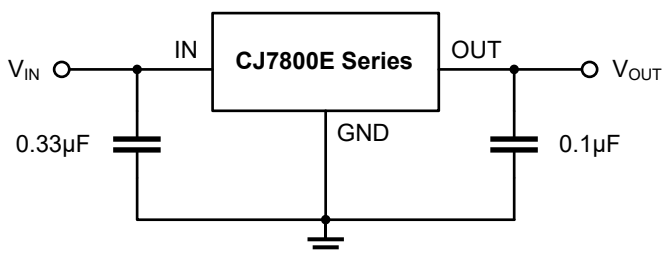


Figure 9-3. Conventional Circuit

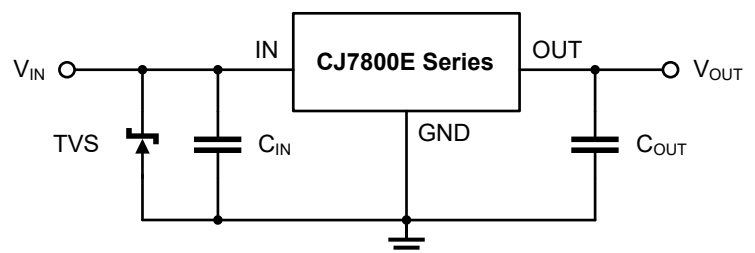


Figure 9-4. TVS is used at IN

9 Application and Implementation

9.2 Typical Application Circuits (continued)

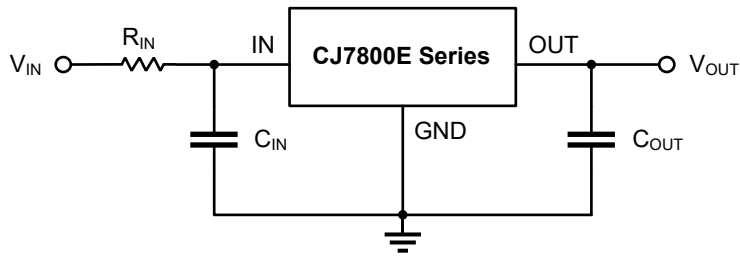


Figure 9-5. Resistance is used at IN

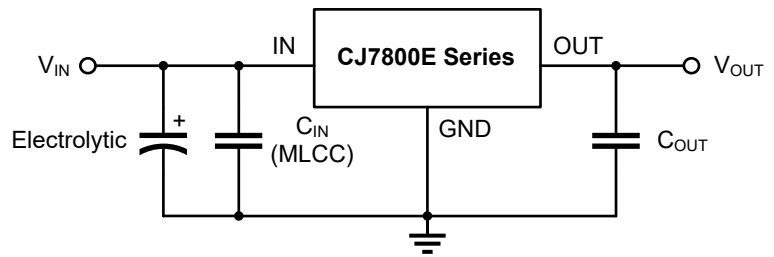


Figure 9-6. Electrolytic capacitor is used at IN

9.3 Bypass Capacitance Selection

A capacitance between IN and GND (C_{IN}) is required if the regulator is located far from the power supply filter. It is recommended to use a $0.33\mu\text{F}$ capacitor for C_{IN} , and the C_{IN} should be placed as close to the device IN pin and GND pin as possible.

It is recommended to use a $0.1\mu\text{F}$ capacitor between OUT and GND (C_{OUT}), and the C_{OUT} should be placed as close as possible between OUT and GND. The output capacitance can limit the high-frequency noise and help the device obtain the best stability and transient response.

The tolerance and temperature coefficient of the C_{IN} and C_{OUT} must be considered to ensure that the capacitor can work normally within the rated working ambient temperature and rated working conditions of the device.

It is recommended that the C_{OUT} should not exceed $20\mu\text{F}$. When the C_{OUT} exceeds $20\mu\text{F}$, it is recommended to use the circuit layout shown in Figure 9-2. See *Large Output Capacitance* for more details.

9.4 Design Requirements and Procedure

The CJ7800E series is mainly used to provide fixed output voltage regulation, the output voltage is selected based on the device variant, which is available in 5.0V, 6.0V, 8.0V, 9.0V, 12V, 15V and 18V regulator options, and it requires a very small number of device components. If the regulator is far from the power filter, the input capacitor C_{IN} is required. The bypass capacitor C_{OUT} is used at the output to obtain the best stability and transient response. These capacitors must be as close to the regulator as possible.

9.5 Power Supply Recommendation

The linear regulator input supply must be well regulated and kept at a voltage level to not exceed the maximum input to output voltage differential allowed by the device. The minimum dropout voltage (V_{DO}) must be met with extra headroom when possible to keep the output well regulated.

For the best overall performance, some layout guidelines may be disregarded. Place all circuit components on the same side of the circuit board and as near as practical to the respective linear regulator pins. Traces must be kept short and wide to reduce the amount of parasitic elements in the system. The actual width and thickness of traces depends on the current carrying capability and heat dissipation required by the end system.

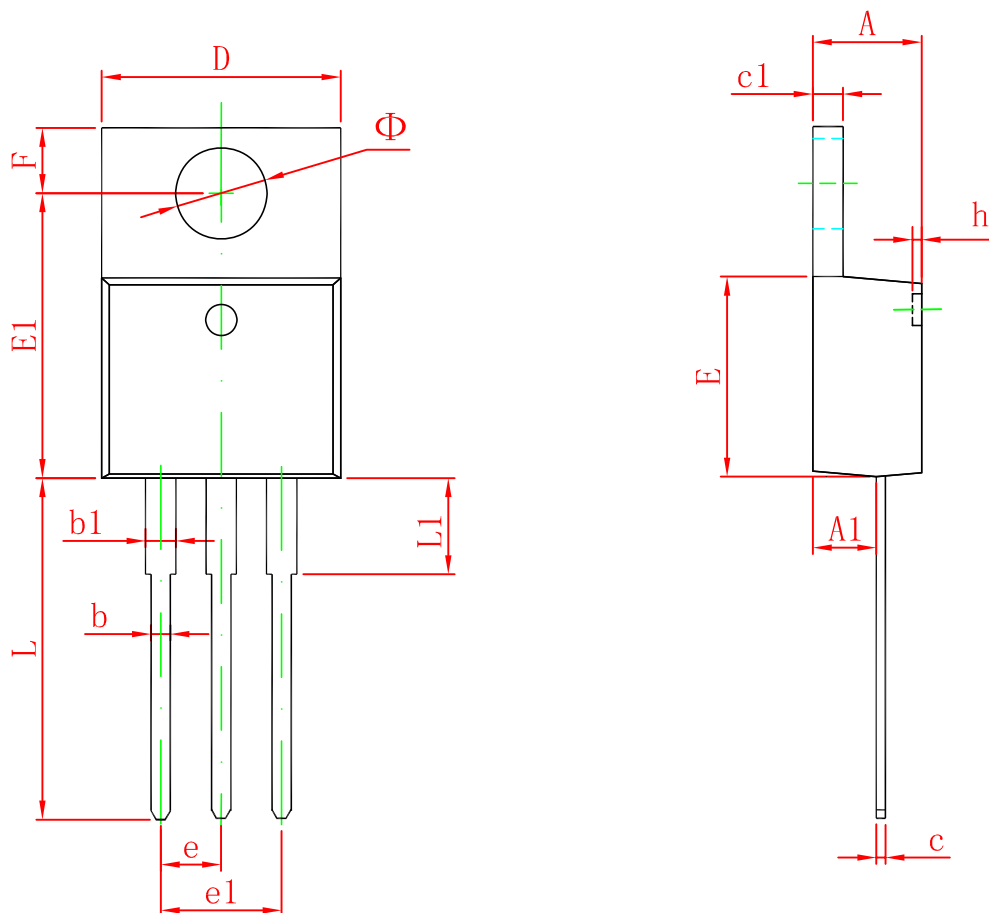
NOTE

The application information in this section is not part of the data sheet component specification, and JSCJ makes no commitment or statement to guarantee its accuracy or completeness. Customers are responsible for determining the rationality of corresponding components in their circuit design and making tests and verifications to ensure the normal realization of their circuit design.

10 Mechanical Information

10.1 TO-220-3L Mechanical Information

TO-220-3L Outline Dimensions

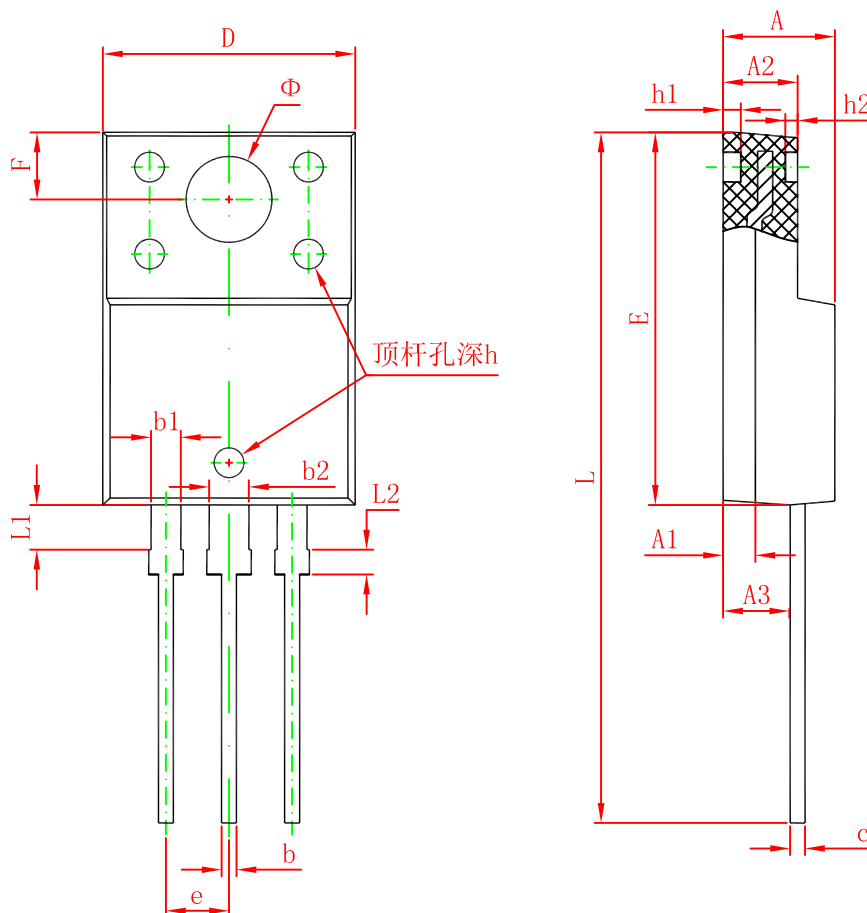


Symbol	Dimensions In Millimeters		Dimensions In Inches	
	Min	Max	Min	Max
A	4.470	4.670	0.176	0.184
A1	2.520	2.820	0.099	0.111
b	0.710	0.910	0.028	0.036
b1	1.170	1.370	0.046	0.054
c	0.310	0.530	0.012	0.021
c1	1.170	1.370	0.046	0.054
D	10.010	10.310	0.394	0.406
E	8.500	8.900	0.335	0.350
E1	12.060	12.460	0.475	0.491
e	2.540 TYP		0.100 TYP	
e1	4.980	5.180	0.196	0.204
F	2.590	2.890	0.102	0.114
h	0.000	0.300	0.000	0.012
L	13.400	13.800	0.528	0.543
L1	3.560	3.960	0.140	0.156
Φ	3.735	3.935	0.147	0.155

10 Mechanical Information

10.2 TO-220F Mechanical Information

TO-220F Outline Dimensions

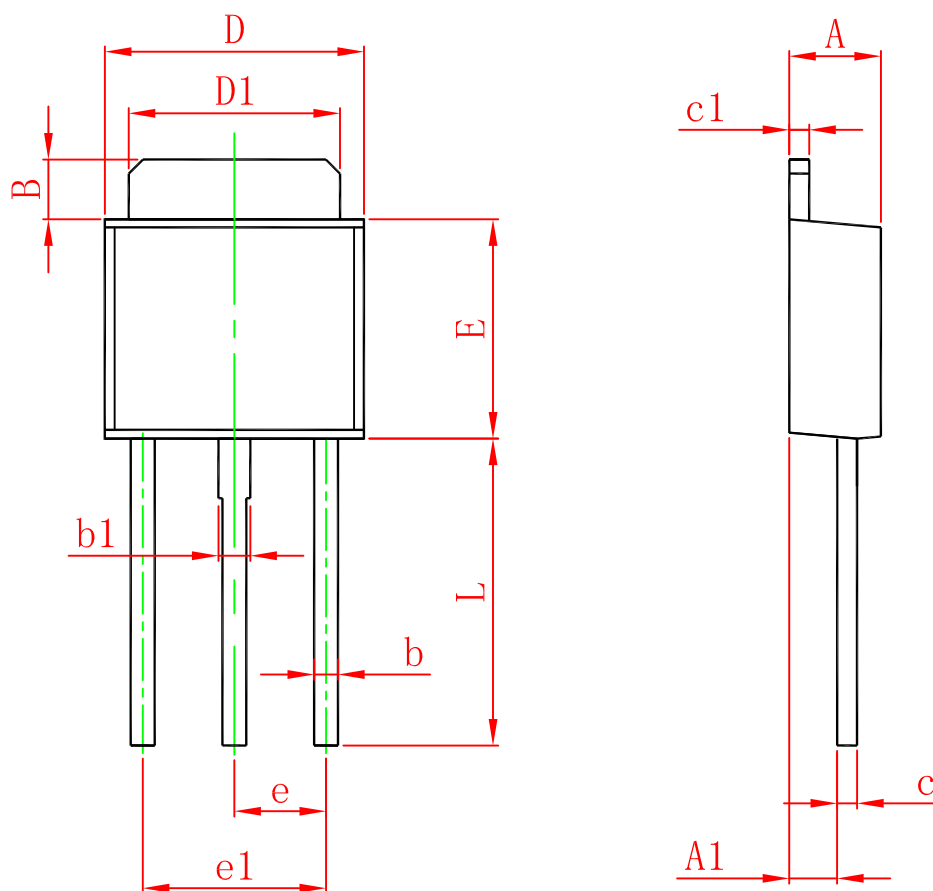


Symbol	Dimensions In Millimeters		Dimensions In Inches	
	Min.	Max.	Min.	Max.
A	4.300	4.700	0.169	0.185
A1	1.300 REF.		0.051 REF.	
A2	2.800	3.200	0.110	0.126
A3	2.500	2.900	0.098	0.114
b	0.500	0.750	0.020	0.030
b1	1.100	1.350	0.043	0.053
b2	1.500	1.750	0.059	0.069
c	0.500	0.750	0.020	0.030
D	9.960	10.360	0.392	0.408
E	14.800	15.200	0.583	0.598
e	2.540 TYP.		0.100 TYP.	
F	2.700 REF.		0.106 REF.	
Φ	3.500 REF.		0.138 REF.	
h	0.000	0.300	0.000	0.012
h1	0.800 REF.		0.031 REF.	
h2	0.500 REF.		0.020 REF.	
L	28.000	28.400	1.102	1.118
L1	1.700	1.900	0.067	0.075
L2	0.900	1.100	0.035	0.043

10 Mechanical Information

10.3 TO-251-3L Mechanical Information

TO-251-3L Outline Dimensions

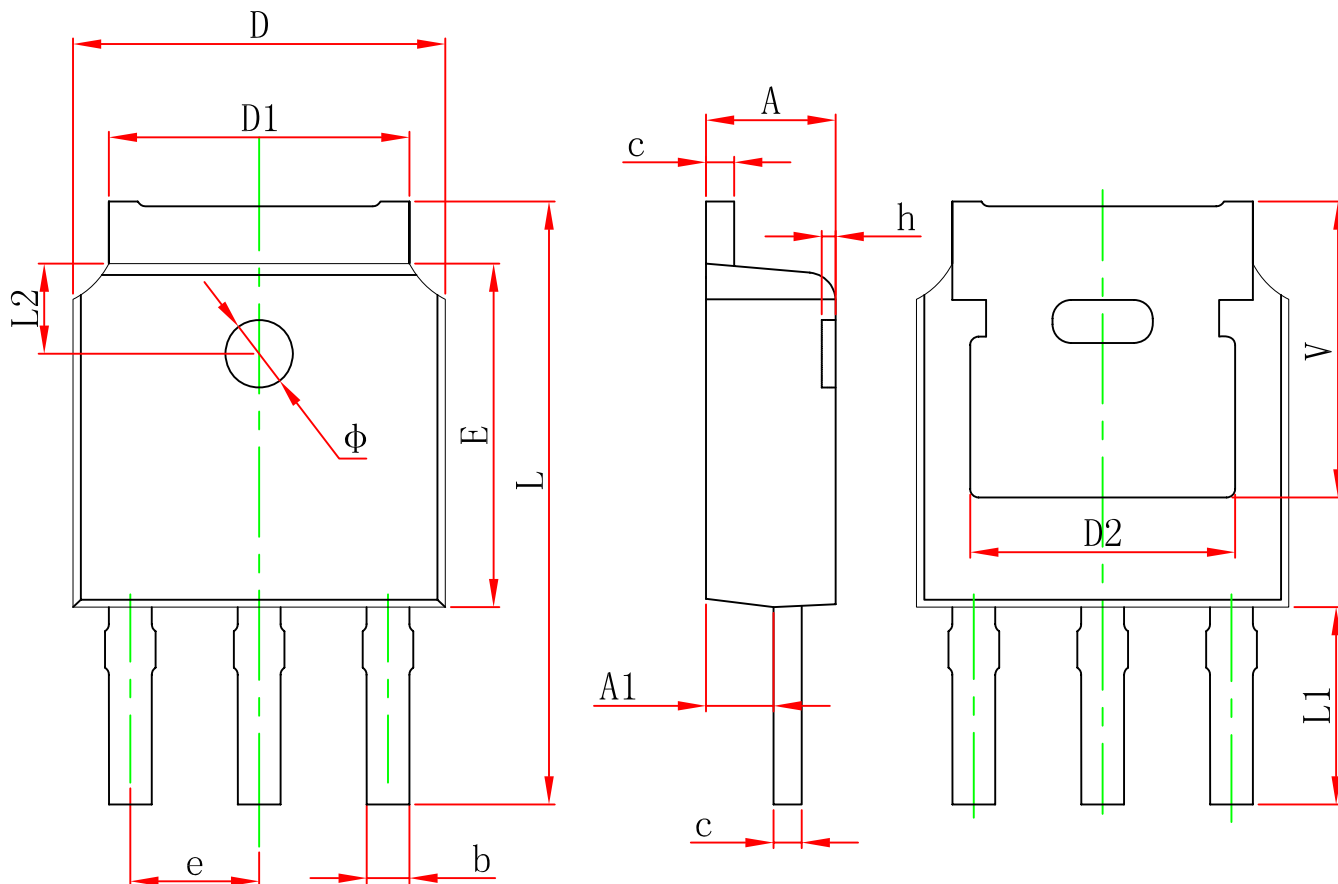


Symbol	Dimensions In Millimeters		Dimensions In Inches	
	Min.	Max.	Min.	Max.
A	2.200	2.400	0.087	0.094
A1	1.050	1.350	0.042	0.054
B	1.350	1.650	0.053	0.065
b	0.500	0.700	0.020	0.028
b1	0.700	0.900	0.028	0.035
c	0.430	0.580	0.017	0.023
c1	0.430	0.580	0.017	0.023
D	6.350	6.650	0.250	0.262
D1	5.200	5.400	0.205	0.213
E	5.400	5.700	0.213	0.224
e	2.300 TYP.		0.091 TYP.	
e1	4.500	4.700	0.177	0.185
L	7.500	7.900	0.295	0.311

10 Mechanical Information

10.4 TO-251S Mechanical Information

TO-251S Outline Dimensions

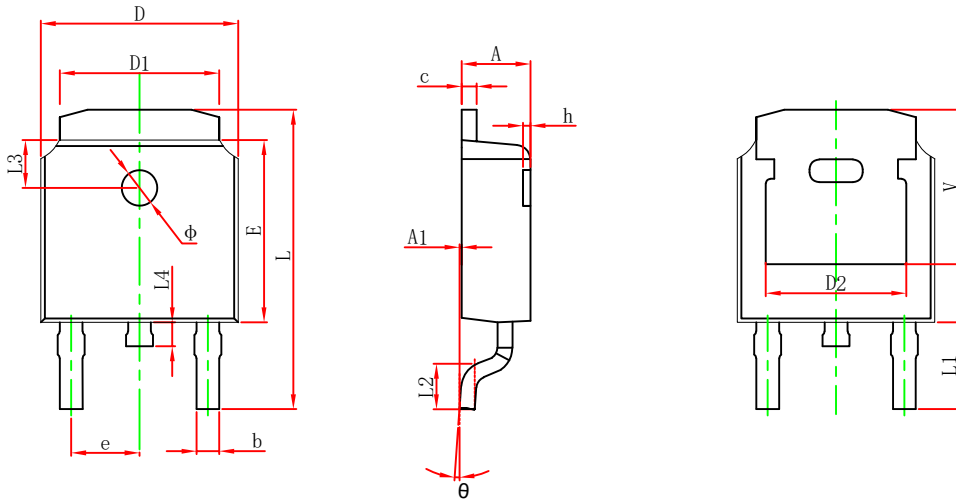


Symbol	Dimensions In Millimeters		Dimensions In Inches	
	Min.	Max.	Min.	Max.
A	2.200	2.400	0.087	0.094
A1	0.860	1.160	0.034	0.046
b	0.660	0.860	0.026	0.034
c	0.460	0.580	0.018	0.023
D	6.500	6.700	0.256	0.264
D1	5.100	5.460	0.201	0.215
D2	4.830 REF.		0.190 REF.	
E	6.000	6.200	0.236	0.244
e	2.186	2.386	0.086	0.094
L	10.400	11.000	0.409	0.433
L1	3.300	3.700	0.130	0.146
L2	1.600 REF.		0.063 REF.	
φ	1.100	1.300	0.043	0.051
h	0.000	0.300	0.000	0.012
V	5.350 REF.		0.211 REF.	

10 Mechanical Information

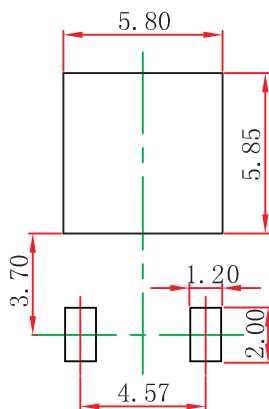
10.5 TO-252-2L Mechanical Information

TO-252-2L Outline Dimensions



Symbol	Dimensions In Millimeters		Dimensions In Inches	
	Min.	Max.	Min.	Max.
A	2.200	2.400	0.087	0.094
A1	0.000	0.127	0.000	0.005
b	0.635	0.770	0.025	0.030
c	0.460	0.580	0.018	0.023
D	6.500	6.700	0.256	0.264
D1	5.100	5.460	0.201	0.215
D2	4.830 REF.		0.190 REF.	
E	6.000	6.200	0.236	0.244
e	2.186	2.386	0.086	0.094
L	9.712	10.312	0.382	0.406
L1	2.900 REF.		0.114 REF.	
L2	1.400	1.700	0.055	0.067
L3	1.600 REF.		0.063 REF.	
L4	0.600	1.000	0.024	0.039
phi	1.100	1.300	0.043	0.051
theta	0°	8°	0°	8°
h	0.000	0.300	0.000	0.012
V	5.250 REF.		0.207 REF.	

TO-252-2L Suggest Pad Layout



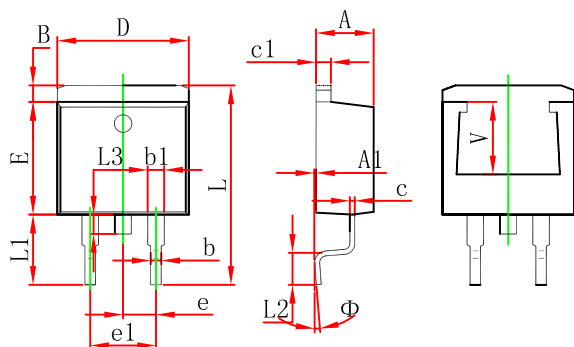
NOTE:

1. Controlling dimension: in millimeters.
2. General tolerance: ±0.05mm.
3. The pad layout is for reference purposes only.

10 Mechanical Information

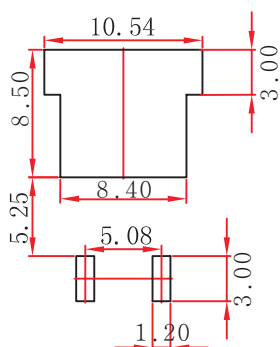
10.6 TO-263-2L Mechanical Information

TO-263-2L Outline Dimensions



Symbol	Dimensions In Millimeters		Dimensions In Inches	
	Min.	Max.	Min.	Max.
A	4.470	4.670	0.176	0.184
A1	0.000	0.150	0.000	0.006
B	1.120	1.420	0.044	0.056
b	0.710	0.910	0.028	0.036
b1	1.170	1.370	0.046	0.054
c	0.310	0.530	0.012	0.021
c1	1.170	1.370	0.046	0.054
D	10.010	10.310	0.394	0.406
E	8.500	8.900	0.335	0.350
e	2.540 TYP.		0.100 TYP.	
e1	4.980	5.180	0.196	0.204
L	14.940	15.500	0.588	0.610
L1	4.950	5.450	0.195	0.215
L2	2.340	2.740	0.092	0.108
L3	1.300	1.700	0.051	0.067
Φ	0°	8°	0°	8°
V	5.600 REF.		0.220 REF.	

TO-263-2L Suggest Pad Layout



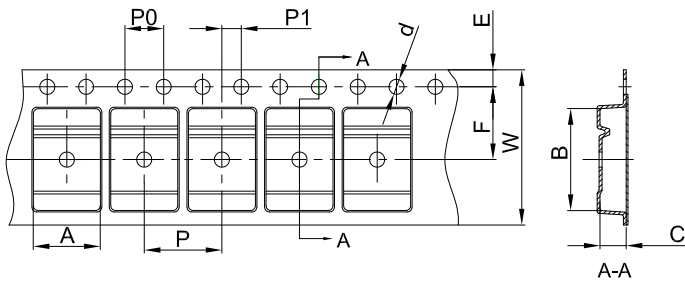
NOTE:

1. Controlling dimension: in millimeters.
2. General tolerance: ±0.05mm.
3. The pad layout is for reference purposes only.

11 Packaging Information

11.1 TO-252-2L Tape and Reel Information

TO-252-2L Embossed Carrier Tape



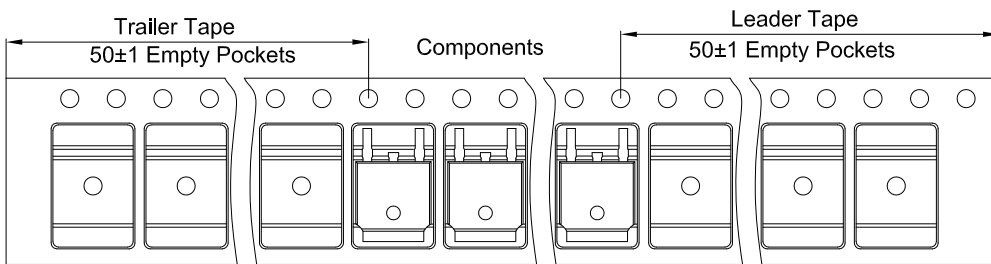
Packaging Description:

TO-252 parts are shipped in tape. The carrier tape is made from a dissipative (carbon filled) polycarbonate resin. The cover tape is a multilayer film (Heat Activated Adhesive in nature) primarily composed of polyester film, adhesive layer, sealant, and anti-static sprayed agent. These reeled parts in standard option are shipped with 25,00 units per 13" or 33.0 cm diameter reel. The reels are clear in color and is made of polystyrene plastic (anti-static coated).

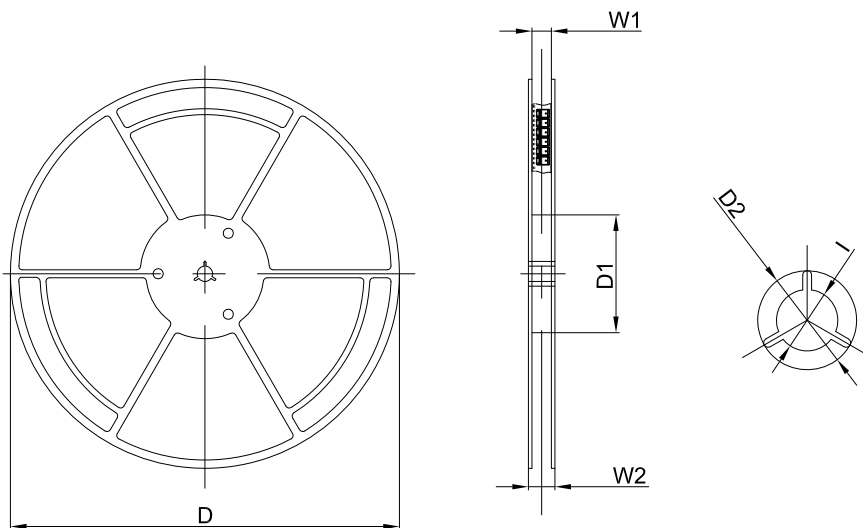
Dimensions are in millimeter

Pkg type	A	B	C	d	E	F	P0	P	P1	W
TO-252	6.90	10.50	2.70	Ø1.55	1.75	7.50	4.00	8.00	2.00	16.00

TO-252-2L Tape Leader and Trailer



TO-252-2L Reel



Dimensions are in millimeter

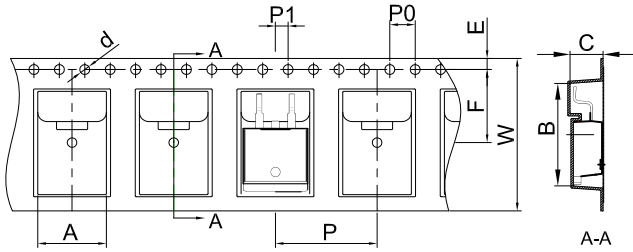
Reel Option	D	D1	D2	W1	W2	I
13" Dia	330.00	100.00	Ø21.00	16.40	21.00	Ø13.00

REEL	Reel Size	Box	Box Size(mm)	Carton	Carton Size(mm)	G.W.(kg)
2,500 pcs	13inch	2,500 pcs	340×336×29	25,000 pcs	353×346×365	

11 Packaging Information

11.2 TO-263-2L Tape and Reel Information

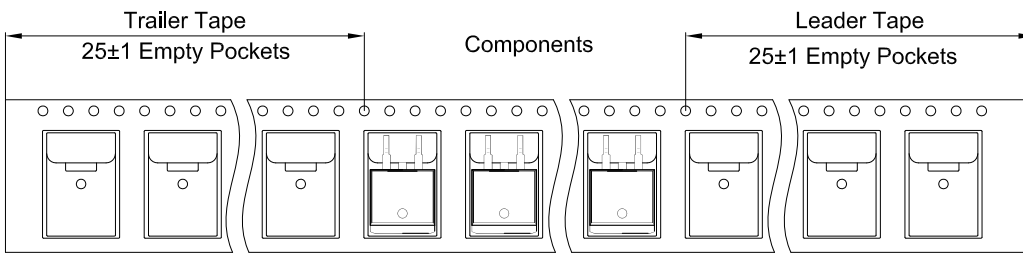
TO-263-2L Embossed Carrier Tape



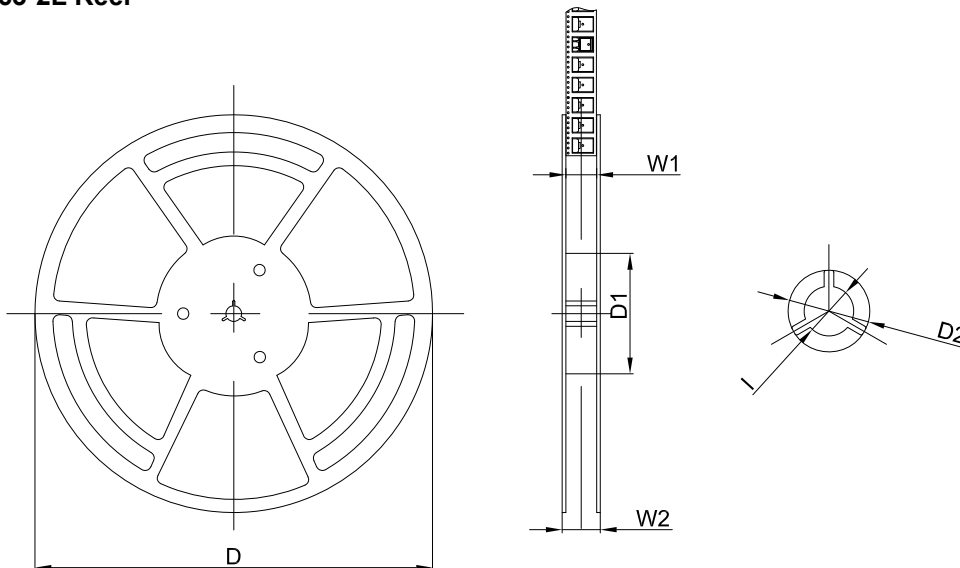
Packaging Description:
 TO-263-2L parts are shipped in tape. The carrier tape is made from a dissipative (carbon filled) polycarbonate resin. The cover tape is a multilayer film (Heat Activated Adhesive in nature) primarily composed of polyester film, adhesive layer, sealant, and anti-static sprayed agent. These reeled parts in standard option are shipped with 800 units per 13" or 33.0 cm diameter reel. The reels are clear in color and is made of polystyrene plastic (anti-static coated).

Dimensions are in millimeter										
Pkg type	A	B	C	d	E	F	P0	P	P1	W
TO-263-2L	10.80	16.13	5.21	Ø1.55	1.75	11.50	4.00	16.00	2.00	24.00

TO-263-2L Tape Leader and Trailer



TO-263-2L Reel



Dimensions are in millimeter						
Reel Option	D	D1	D2	W1	W2	I
13"Dia	Ø330.00	100.00	Ø21.00	24.4	30.4	Ø13.00

REEL	Reel Size	Box	Box Size(mm)	Carton	Carton Size(mm)	G.W.(kg)
800 pcs	13 inch	800 pcs	340×336×36	8,000 pcs	400×353×365	

12 Notes and Revision History

12.1 Associated Product Family and Others

To view other products of the same type or IC products of other types, please click the official website of JSCJ -- [https: www.jscj-elec.com](https://www.jscj-elec.com) for more details.

12.2 Notes

Electrostatic Discharge Caution



This IC may be damaged by ESD. Relevant personnel shall comply with correct installation and use specifications to avoid ESD damage to the IC. If appropriate measures are not taken to prevent ESD damage, the hazards caused by ESD include but are not limited to degradation of integrated circuit performance or complete damage of integrated circuit. For some precision integrated circuits, a very small parameter change may cause the whole device to be inconsistent with its published specifications.

12.3 Revision History

October, 2024: released CJ7800E series rev - 1.0.

DISCLAIMER

IMPORTANT NOTICE, PLEASE READ CAREFULLY

The information in this data sheet is intended to describe the operation and characteristics of our products. JSCJ has the right to make any modification, enhancement, improvement, correction or other changes to any content in this data sheet, including but not limited to specification parameters, circuit design and application information, without prior notice.

Any person who purchases or uses JSCJ products for design shall: 1. Select products suitable for circuit application and design; 2. Design, verify and test the rationality of circuit design; 3. Procedures to ensure that the design complies with relevant laws and regulations and the requirements of such laws and regulations. JSCJ makes no warranty or representation as to the accuracy or completeness of the information contained in this data sheet and assumes no responsibility for the application or use of any of the products described in this data sheet.

Without the written consent of JSCJ, this product shall not be used in occasions requiring high quality or high reliability, including but not limited to the following occasions: medical equipment, military facilities and aerospace. JSCJ shall not be responsible for casualties or property losses caused by abnormal use or application of this product.

Official Website: www.jscj-elec.com

Copyright © JIANGSU CHANGJING ELECTRONICS TECHNOLOGY CO., LTD.