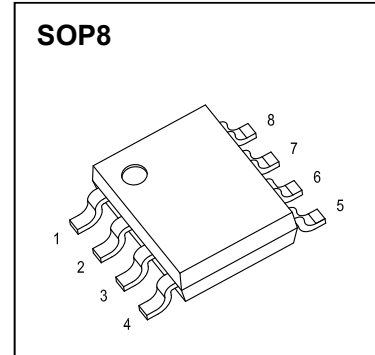




SOP8 Plastic-Encapsulate MOSFETS

CJQ023E03A Dual P-Channel MOSFET

$V_{(BR)DSS}$	$R_{DS(on)TYP}$	I_D
-30 V	15mΩ@-10V	-8.5A
	20mΩ@-4.5V	



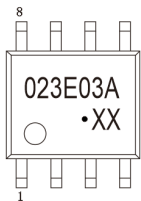
DESCRIPTION

The CJQ023E03A uses advanced trench technology and design to provide excellent RDS(ON) with low gate charge. This device is suitable for use in a wide variety of applications.

FEATURE

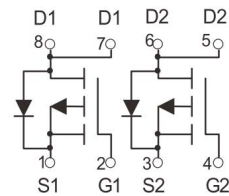
- Surface Mount Package
- Super High Density Cell Design for Extremely Low $R_{DS(ON)}$

MARKING



023E03A = Device code
 Solid dot = Green molding compound device,
 if none, the normal device
 XX = Code

Equivalent Circuit



MAXIMUM RATINGS ($T_A=25^{\circ}C$ unless otherwise noted)

Parameter	Symbol	Limit	Unit
Drain-Source Voltage	V_{DS}	-30	V
Gate-Source Voltage	V_{GS}	±20	V
Continuous Drain Current	I_D ④	-8.5	A
Pulsed Drain Current	I_{DM} ④	-34	A
Single Pulsed Avalanche Energy	E_{AS} ②	76	mJ
Power Dissipation	P_D ④	2.15	W
Operating Junction and Storage Temperature Range	T_J, T_{STG}	-55~+150	°C

Thermal Characteristics

Parameter	Symbol	Typ	Max	Units
Maximum Junction-to-Ambient	$R_{\theta JA}$ ④	$t \leq 10s$	38	°C/W
		Steady State	70	

MOSFET ELECTRICAL CHARACTERISTICS

$T_J=25^{\circ}\text{C}$ unless otherwise specified

Parameter	Symbol	Test Condition	Min	Typ	Max	Unit	
Off characteristics							
Drain-source breakdown voltage	$V_{(BR)DSS}$	$V_{GS} = 0V, I_D = -250\mu A$	-30	-	-	V	
Zero gate voltage drain current	I_{DSS}	$V_{DS} = -24V, V_{GS} = 0V$	$T_J = 25^{\circ}\text{C}$	-	-	-1.0	μA
			$T_J = 125^{\circ}\text{C}$	-	-	-100	
Gate-body leakage current	I_{GSS}	$V_{DS} = 0V, V_{GS} = \pm 20V$	-	-	± 100	nA	
On characteristics ^③							
Gate-threshold voltage	$V_{GS(th)}$	$V_{DS} = V_{GS}, I_D = -250\mu A$	-1.1	-1.7	-2.2	V	
Static drain-source on-state resistance	$R_{DS(on)}$	$V_{GS} = -10V, I_D = -8A$	-	15	20	m Ω	
		$V_{GS} = -4.5V, I_D = -4A$	-	20	28	m Ω	
Dynamic characteristics							
Input capacitance	C_{iss}	$V_{DS} = -15V, V_{GS} = 0V, f = 1\text{MHz}$	-	1418	-	μF	
Output capacitance	C_{oss}		-	202	-		
Reverse transfer capacitance	C_{rss}		-	147	-		
Gate resistance	R_g	$f = 1\text{MHz}$	-	14	-	Ω	
Switching characteristics							
Total gate charge	Q_g	$V_{GS} = -4.5V, V_{DD} = -15V, I_D = -8A$	-	13	-	nC	
Total gate charge	Q_g		-	27	-		
Gate-source charge	Q_{gs}		-	4.7	-		
Gate-drain charge	Q_{gd}		-	5.5	-		
Turn-on delay time	$t_{d(on)}$	$V_{DD} = -15V, V_{GS} = -10V, I_D = -8A, R_G = 10\Omega$	-	6.2	-	ns	
Turn-on rise time	t_r		-	3.7	-		
Turn-off delay time	$t_{d(off)}$		-	83	-		
Turn-off fall time	t_f		-	64	-		
Drain-Source Diode Characteristics							
Drain-source diode forward voltage	V_{SD} ^③	$V_{GS} = 0V, I_S = -2A$	-	-	-1.2	V	
Continuous drain-source diode forward current	I_S ^④		-	-	-8.5	A	
Pulsed drain-source diode forward current	I_{SM} ^{①④}			-	-34	A	

Notes:

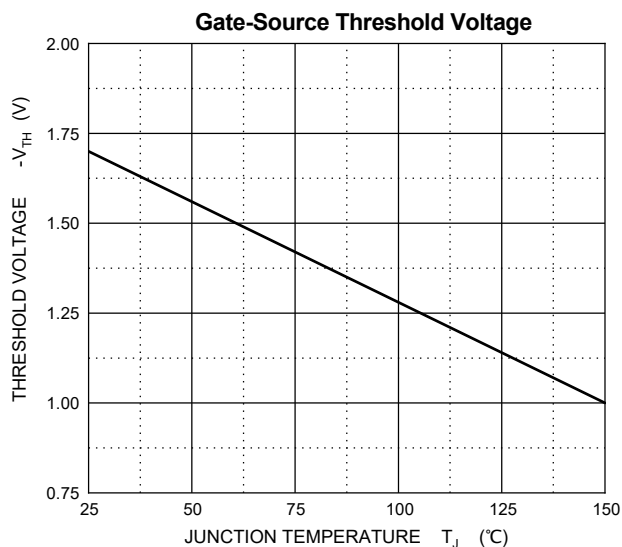
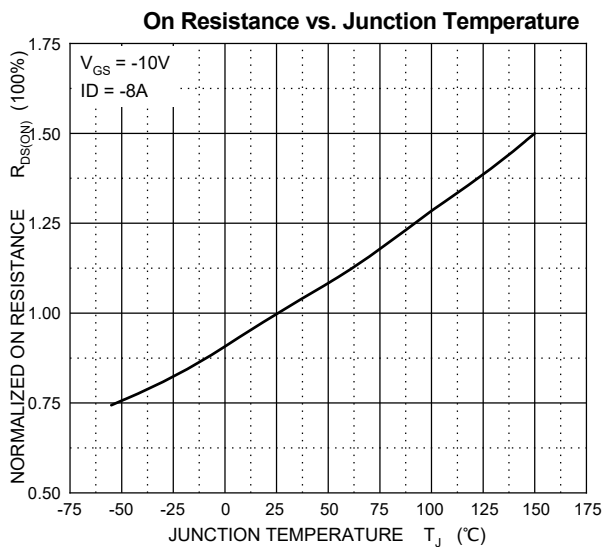
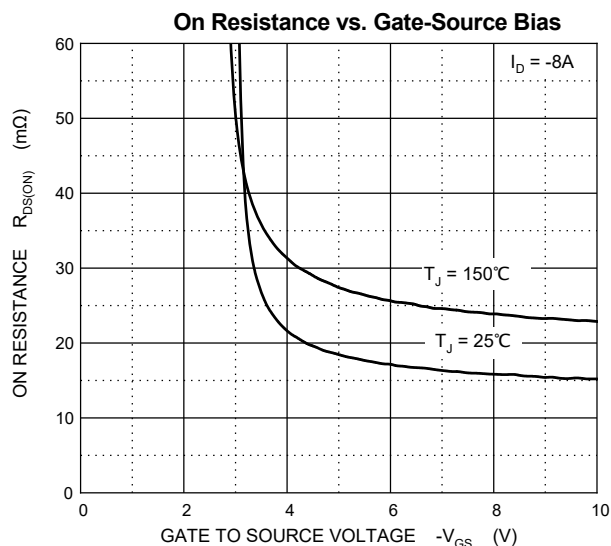
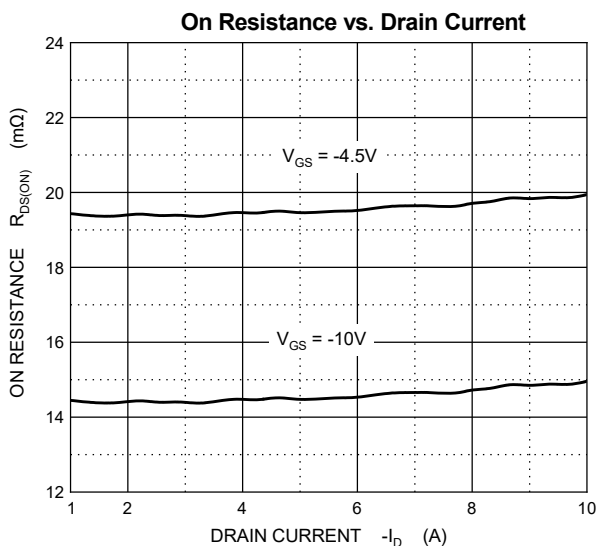
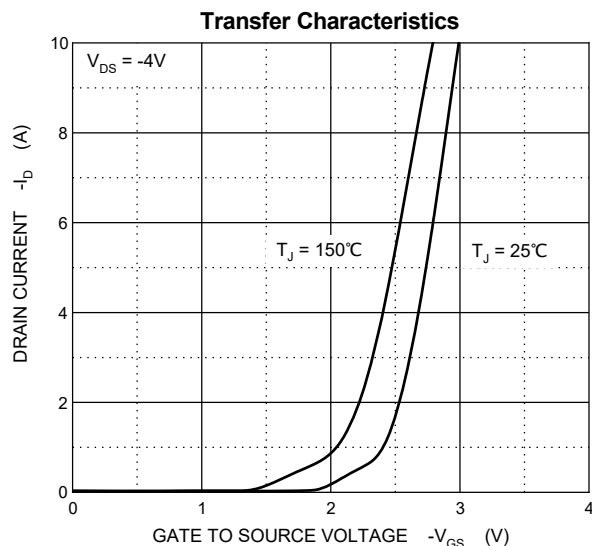
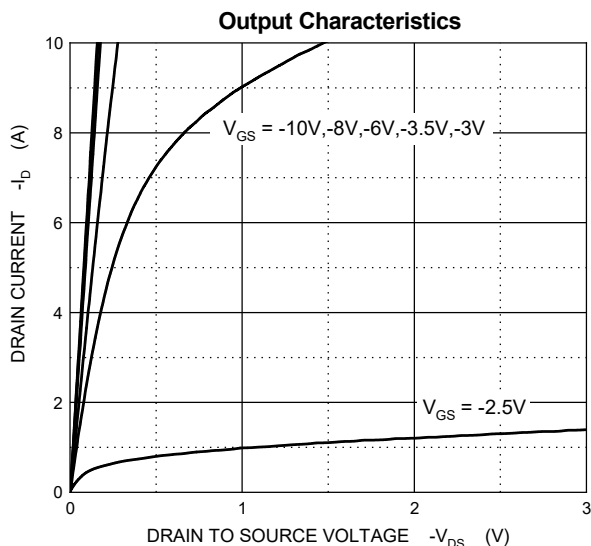
1. Limited only by maximum temperature allowed.

2. $V_{DD} = -15V, V_{GS} = -10V, L = 0.5\text{mH}, R_g = 25\Omega$ Starting $T_J = 25^{\circ}\text{C}$.

3. Pulse Test : Pulse Width $\leq 380\mu s$, duty cycle $\leq 2\%$.

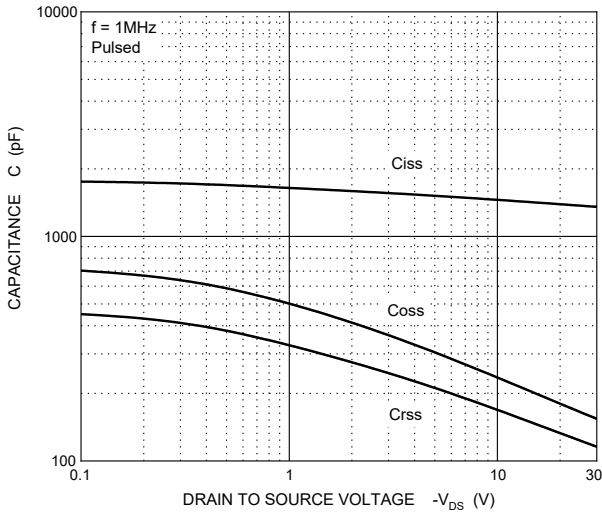
4. Device mounted on 1 in² FR-4 board with 2oz. double-sided Copper, in a still air environment with $T_A = 25^{\circ}\text{C}$. The current rating is based on the $t \leq 10s$ thermal resistance rating.

Typical Characteristics ($T_J = 25^\circ\text{C}$, unless otherwise specified)

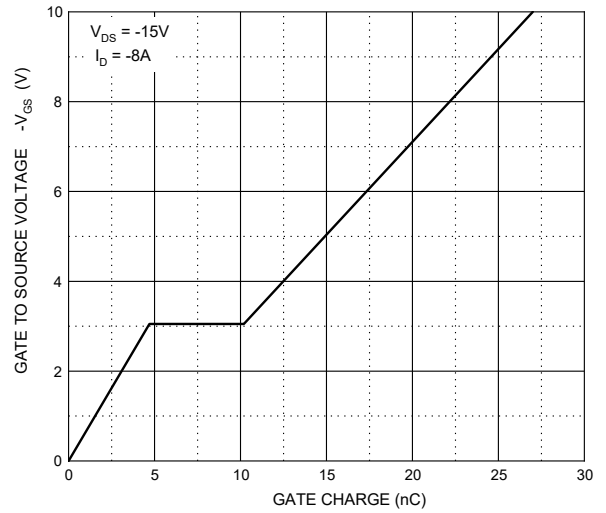


Typical Characteristics ($T_J = 25^\circ\text{C}$, unless otherwise specified)

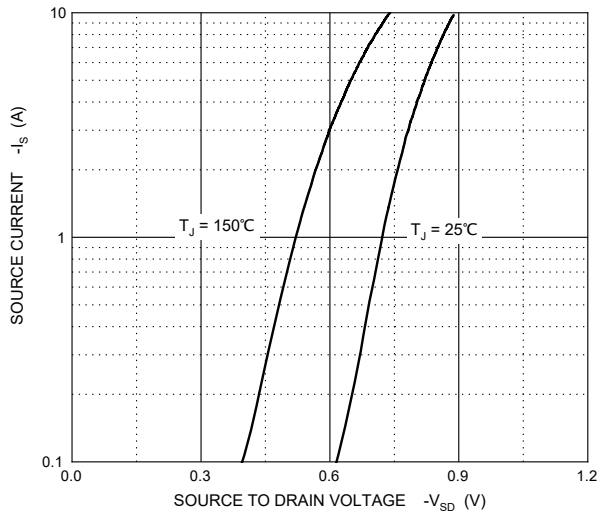
Typical Capacitances



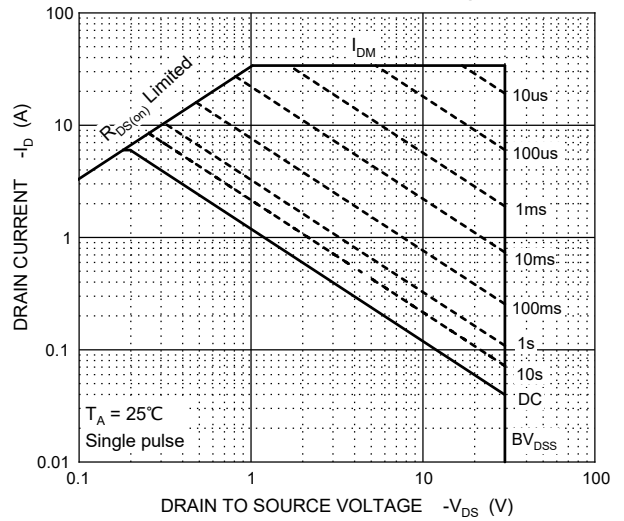
Gate Charge



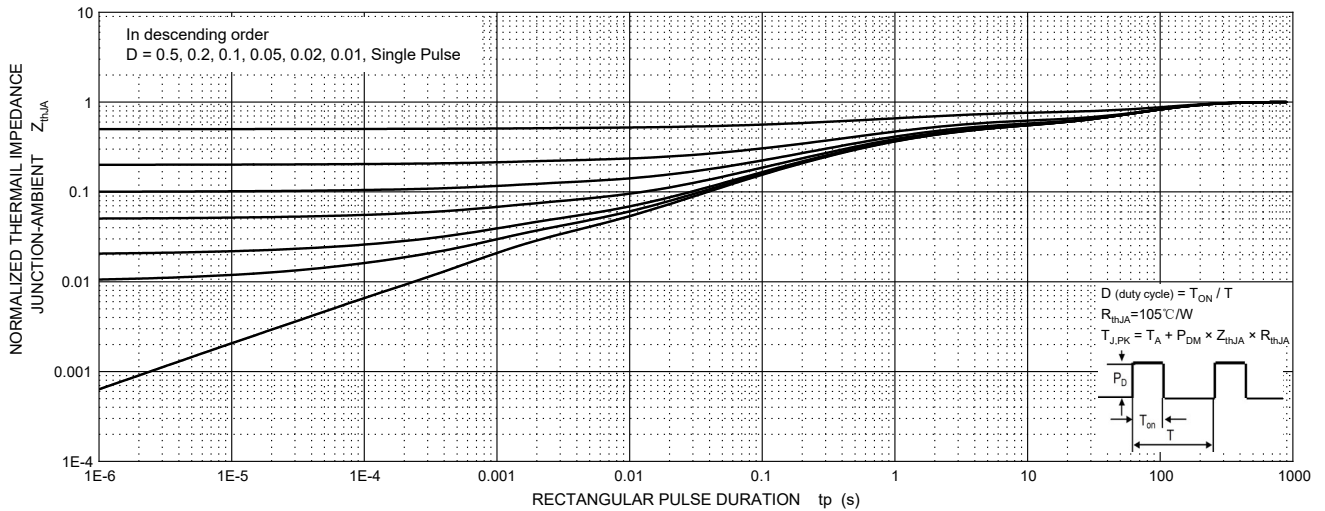
Source-Drain Diode Forward Characteristics



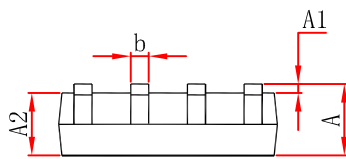
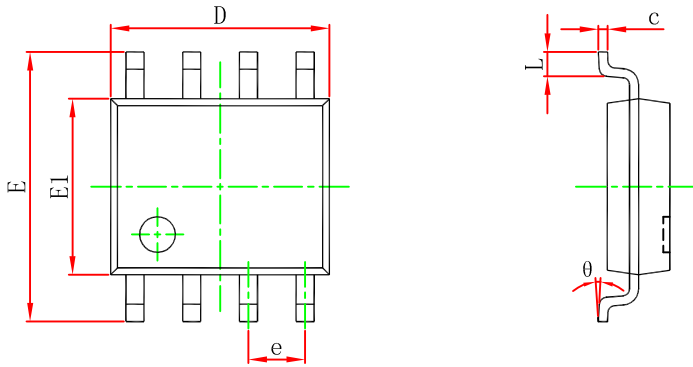
Maximum Safe Operating Area



Transient Thermal Impedance, Junction-Ambient

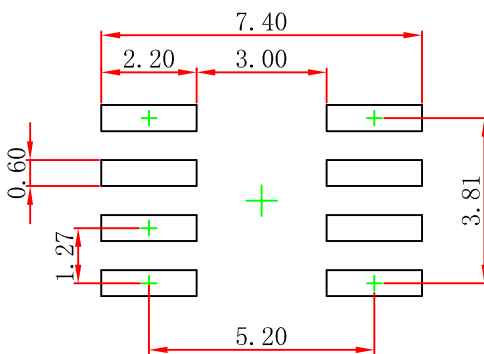


SOP8 Package Outline Dimensions



Symbol	Dimensions In Millimeters		Dimensions In Inches	
	Min	Max	Min	Max
A	1.450	1.750	0.053	0.069
A1	0.100	0.250	0.004	0.010
A2	1.350	1.550	0.053	0.061
b	0.330	0.510	0.013	0.020
c	0.170	0.250	0.007	0.010
D	4.700	5.100	0.185	0.201
e	1.270 (BSC)		0.050 (BSC)	
E	5.800	6.200	0.228	0.244
E1	3.800	4.000	0.150	0.157
L	0.400	1.270	0.016	0.050
theta	0°	8°	0°	8°

SOP8 Suggested Pad Layout



Note:

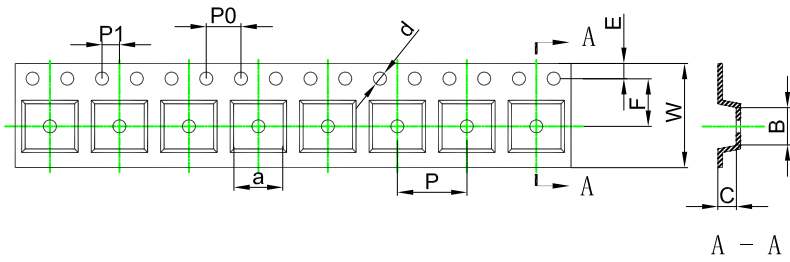
1. Controlling dimension: in millimeters.
2. General tolerance: $\pm 0.05\text{mm}$.
3. The pad layout is for reference purposes only.

NOTICE

JSCJ reserves the right to make modifications, enhancements, improvements, corrections or other changes without further notice to any product herein. JSCJ does not assume any liability arising out of the application or use of any product described herein.

SOP8 Tape and Reel

SOP8 Embossed Carrier Tape



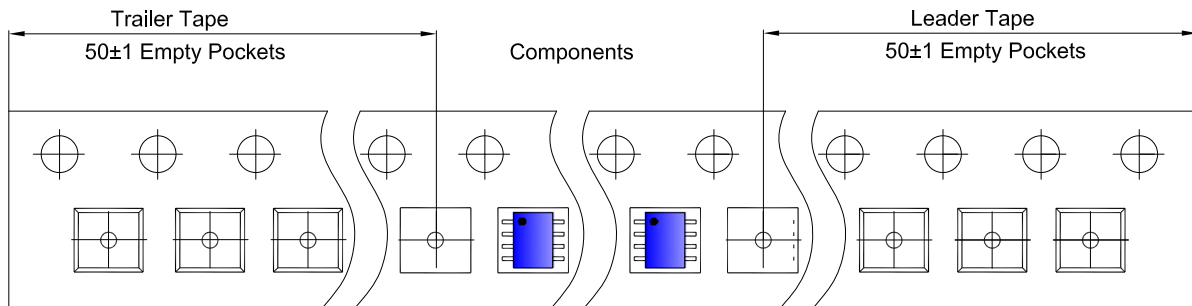
Packaging Description:

SOP8 parts are shipped in tape. The carrier tape is made from a dissipative (carbon filled) polycarbonate resin. The cover tape is a multilayer film (Heat Activated Adhesive in nature) primarily composed of polyester film, adhesive layer, sealant, and anti-static sprayed agent. These reeled parts in standard option are shipped with 4,000 units per 13" or 33cm diameter reel. The reels are clear in color and is made of polystyrene plastic (anti-static coated).

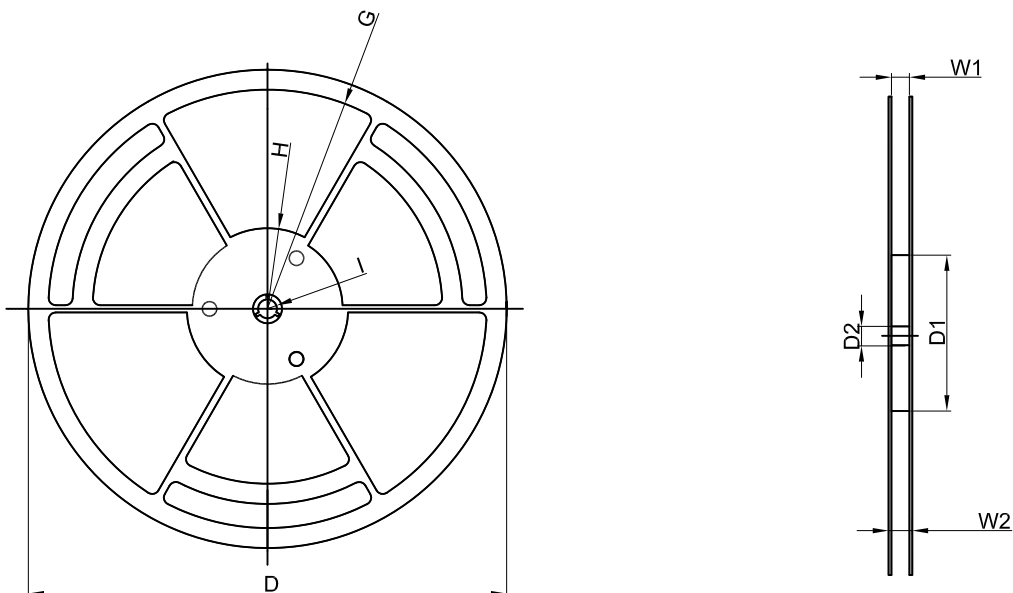
ALL DIM IN mm

Dimensions are in millimeter										
Pkg type	a	B	C	d	E	F	P0	P	P1	W
SOP8	6.40	5.40	2.10	Ø1.50	1.75	5.50	4.00	8.00	2.00	12.00

SOP8 Tape Leader and Trailer



SOP8 Reel



Dimensions are in millimeter								
Reel Option	D	D1	D2	G	H	I	W1	W2
13" Dia	Ø330.00	100.00	13.00	R151.00	R56.00	R6.50	12.40	17.60

REEL	Reel Size	Box	Box Size(mm)	Carton	Carton Size(mm)	G.W.(kg)
4,000 pcs	13 inch	8,000 pcs	360×360×65	64,000 pcs	565×380×390	