



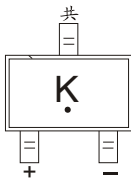
SOT-323 Plastic-Encapsulate Diodes

DA204U SWITCHING DIODE

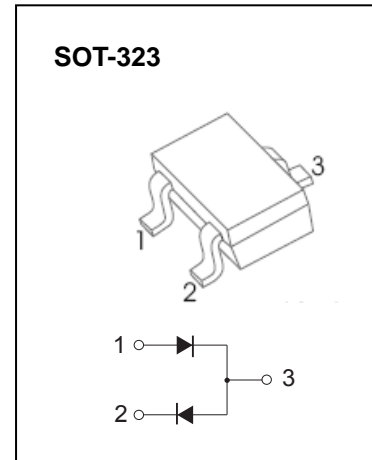
FEATURES

- Bias circuits
- Protection circuits

MARKING: K



Solid dot = Green molding compound device.



Maximum Ratings @Ta=25°C

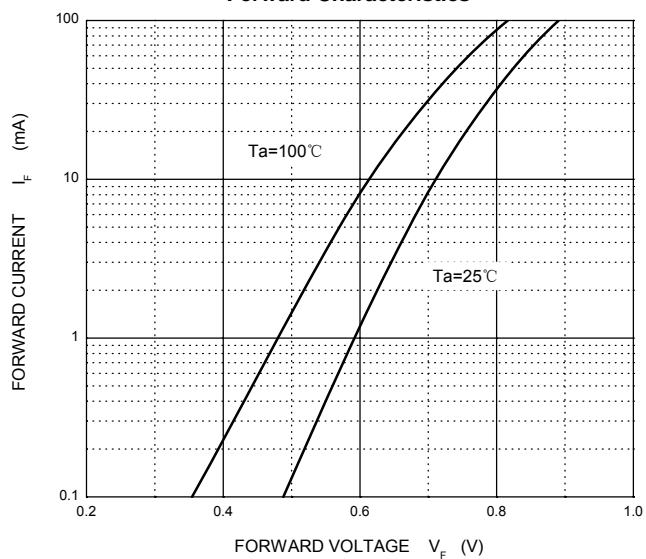
| Parameter | Symbol | Limit | Unit |
|----------------------------------------------------|-----------------|----------|------|
| Non-Repetitive Peak Reverse Voltage | V_{RM} | 20 | V |
| Peak Repetitive Peak Reverse Voltage | V_{RRM} | 20 | V |
| DC Blocking Voltage | V_R | | |
| Forward Continuous Current | I_{FM} | 100 | mA |
| Non-Repetitive Peak Forward Surge Current @t=8.3ms | I_{FSM} | 2.0 | A |
| Average Rectified Output Current | I_O | 100 | mA |
| Power Dissipation | P_D | 200 | mW |
| Thermal resistance From Junction to ambient | $R_{\theta JA}$ | 625 | °C/W |
| Operation Junction and Storage Temperature Range | T_J, T_{STG} | -55~+150 | °C |

Electrical Characteristics @Ta=25°C

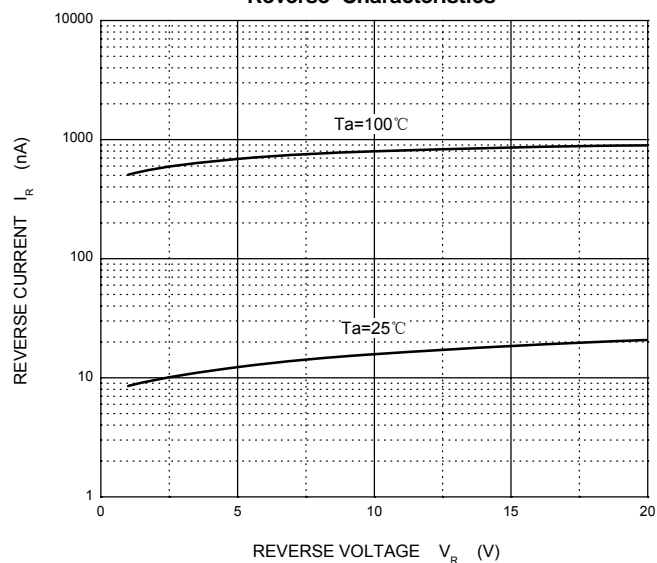
| Parameter | Symbol | Min | Typ | Max | Unit | Conditions |
|---------------------------|------------|-----|-----|-----|---------|----------------|
| Reverse breakdown voltage | $V_{(BR)}$ | 20 | | | V | $I_R=100\mu A$ |
| Forward voltage | V_F | | | 1 | V | $I_F=10mA$ |
| Reverse current | I_R | | | 0.1 | μA | $V_R=15V$ |

Typical Characteristics

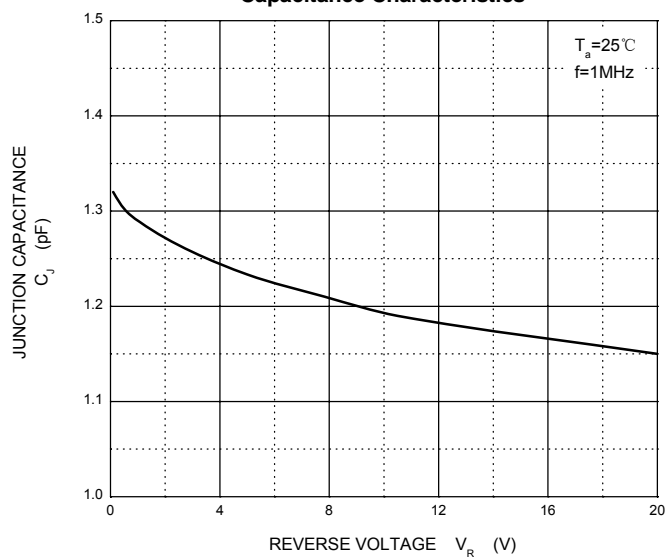
Forward Characteristics



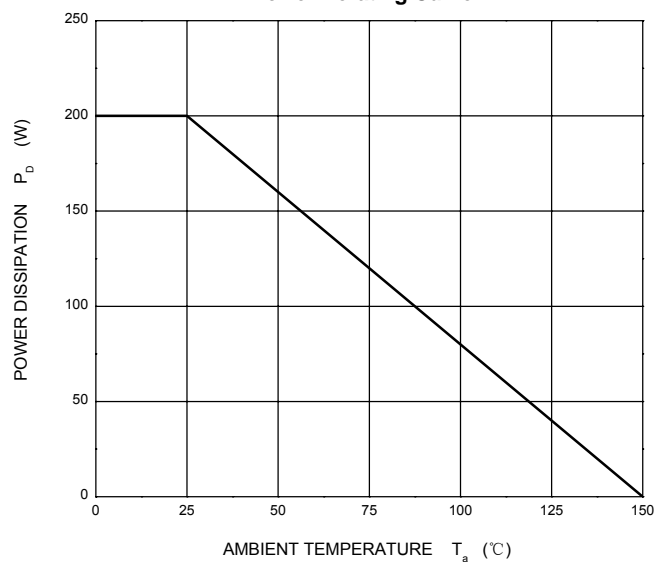
Reverse Characteristics



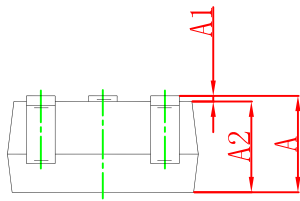
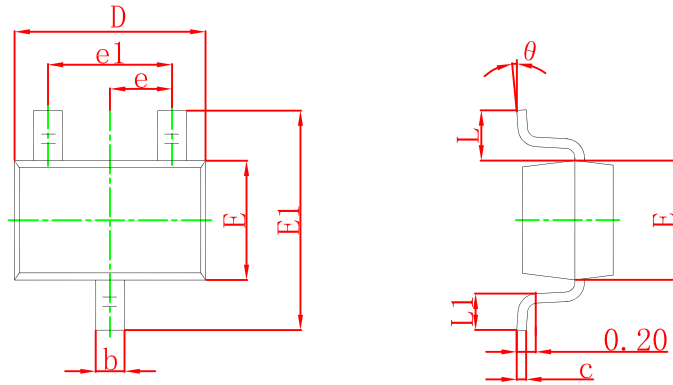
Capacitance Characteristics



Power Derating Curve

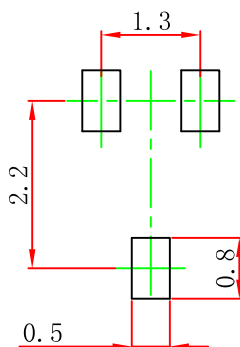


SOT-323 Package Outline Dimensions



| Symbol | Dimensions In Millimeters | | Dimensions In Inches | |
|--------|---------------------------|-------|----------------------|-------|
| | Min | Max | Min | Max |
| A | 0.900 | 1.100 | 0.035 | 0.043 |
| A1 | 0.000 | 0.100 | 0.000 | 0.004 |
| A2 | 0.900 | 1.000 | 0.035 | 0.039 |
| b | 0.200 | 0.400 | 0.008 | 0.016 |
| c | 0.080 | 0.150 | 0.003 | 0.006 |
| D | 2.000 | 2.200 | 0.079 | 0.087 |
| E | 1.150 | 1.350 | 0.045 | 0.053 |
| E1 | 2.150 | 2.450 | 0.085 | 0.096 |
| e | 0.650 TYP | | 0.026 TYP | |
| e1 | 1.200 | 1.400 | 0.047 | 0.055 |
| L | 0.525 REF | | 0.021 REF | |
| L1 | 0.260 | 0.460 | 0.010 | 0.018 |
| theta | 0° | 8° | 0° | 8° |

SOT-323 Suggested Pad Layout



Note:

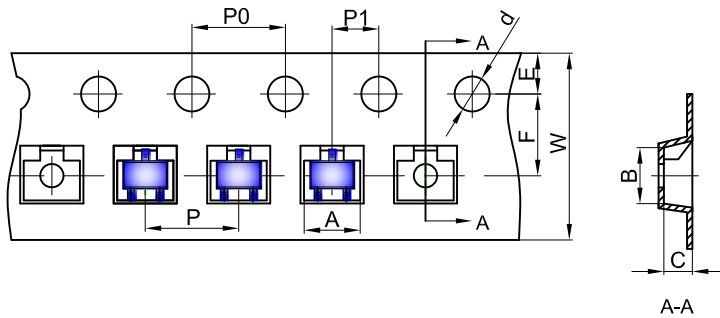
1. Controlling dimension: in millimeters.
2. General tolerance: ± 0.05 mm.
3. The pad layout is for reference purposes only.

NOTICE

JSCJ reserves the right to make modifications, enhancements, improvements, corrections or other changes without further notice to any product herein. JSCJ does not assume any liability arising out of the application or use of any product described herein.

SOT-323 Tape and Reel

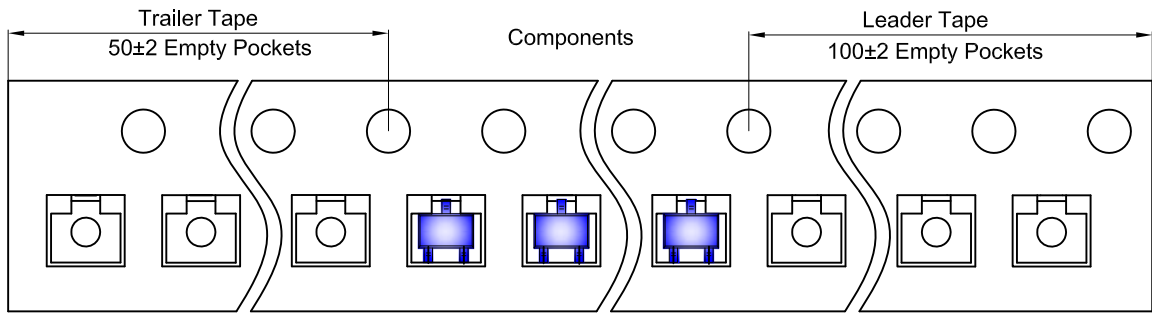
SOT-323 Embossed Carrier Tape



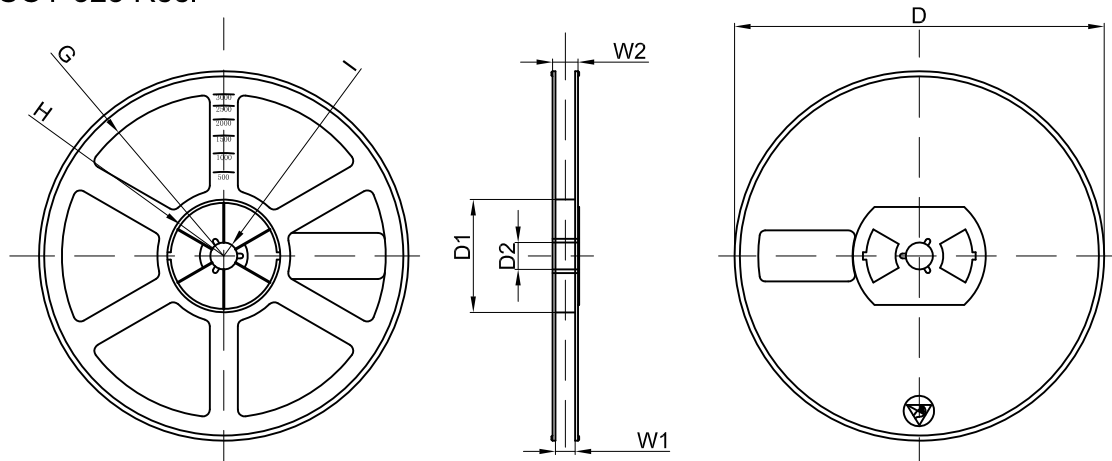
Packaging Description:
 SOT-323 parts are shipped in tape. The carrier tape is made from a dissipative (carbon filled) polycarbonate resin. The cover tape is a multilayer film (Heat Activated Adhesive in nature) primarily composed of polyester film, adhesive layer, sealant, and anti-static sprayed agent. These reeled parts in standard option are shipped with 3,000 units per 7" or 17.8cm diameter reel. The reels are clear in color and is made of polystyrene plastic (anti-static coated).

| Dimensions are in millimeter | | | | | | | | | | |
|------------------------------|------|------|------|-------|------|------|------|------|------|------|
| Pkg type | A | B | C | d | E | F | P0 | P | P1 | W |
| SOT-323 | 2.25 | 2.55 | 1.19 | Ø1.55 | 1.75 | 3.50 | 4.00 | 4.00 | 2.00 | 8.00 |

SOT-323 Tape Leader and Trailer



SOT-323 Reel



| Dimensions are in millimeter | | | | | | | | |
|------------------------------|---------|-------|-------|--------|--------|-------|------|-------|
| Reel Option | D | D1 | D2 | G | H | I | W1 | W2 |
| 7" Dia | Ø178.00 | 54.40 | 13.00 | R78.00 | R25.60 | R6.50 | 9.50 | 12.30 |

| REEL | Reel Size | Box | Box Size(mm) | Carton | Carton Size(mm) | G.W.(kg) |
|----------|-----------|------------|--------------|-------------|-----------------|----------|
| 3000 pcs | 7 inch | 45,000 pcs | 203×203×195 | 180,000 pcs | 438×438×220 | |