



# DFNWB1.0X0.6-02L Plastic-Encapsulate Diodes

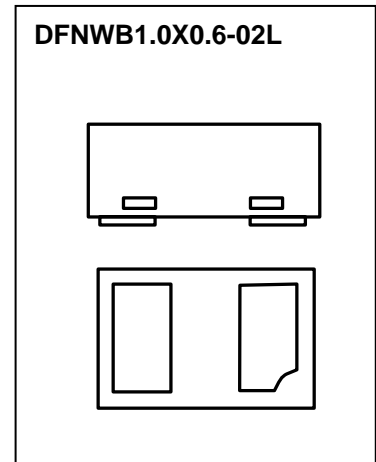
## DS521-30A1 Schottky barrier Diode

### Feature

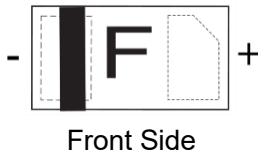
- Small surface mounting type
- low forward voltage
- High reliability

### Application

- High speed switch for detection
- For portable equipment:( Mobile phone, MP3, MD, CD-ROM, DVD-ROM, Note book PC, etc.)



### MARKING



### Equivalent Circuit



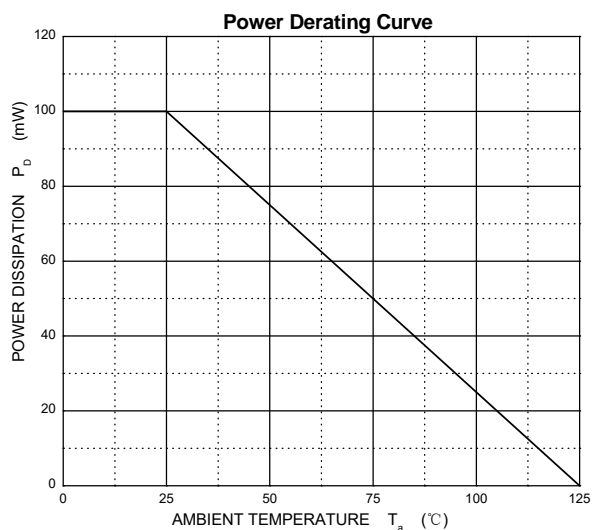
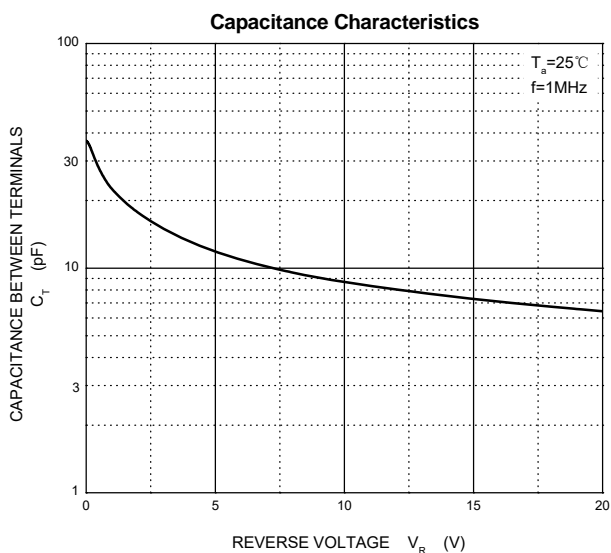
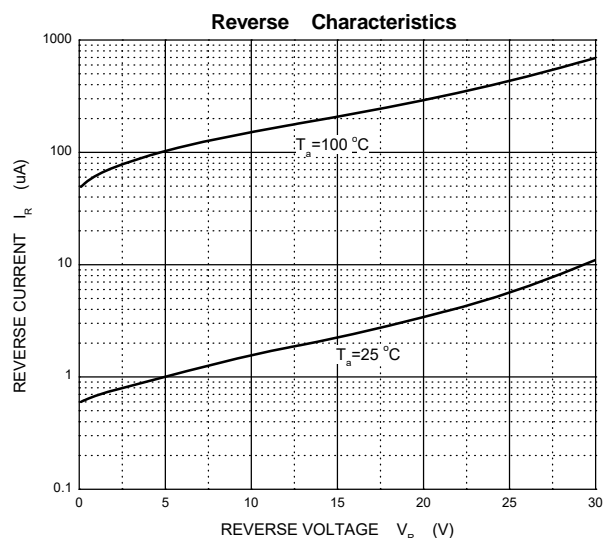
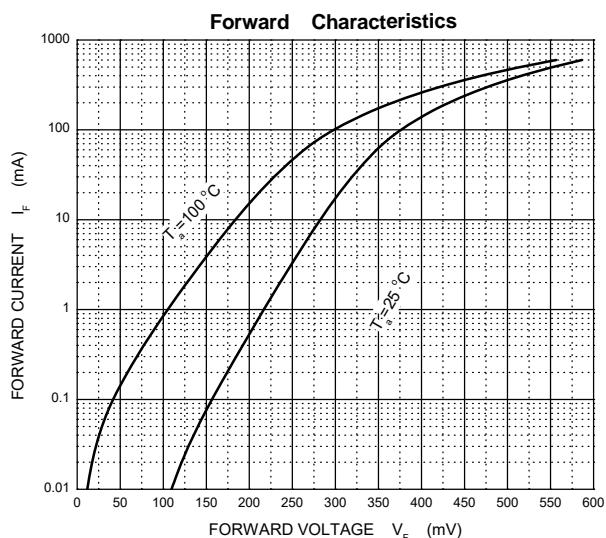
### ABSOLUTE MAXIMUM RATINGS ( $T_a=25^{\circ}\text{C}$ unless otherwise noted)

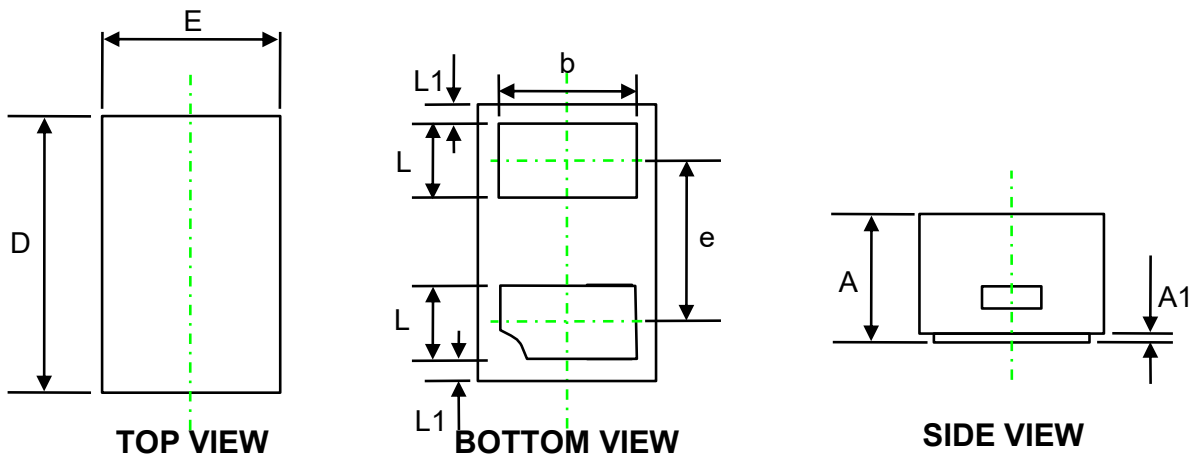
Parameter	Symbol	Value	Unit
DC reverse voltage	$V_R$	30	V
RMS reverse Voltage	$V_{R(RMS)}$	21	V
Mean rectifying current	$I_O$	0.2	A
Non-repetitive Peak Forward Surge Current @ $t=8.3\text{ms}$	$I_{FSM}$	1	A
Power Dissipation	$P_D$	100	mW
Thermal Resistance from Junction to Ambient	$R_{\theta JA}$	1000	$^{\circ}\text{C}/\text{W}$
Operating Junction Temperature Range	$T_J$	-40 ~ +125	$^{\circ}\text{C}$
Storage Temperature Range	$T_{STG}$	-55 ~ +150	$^{\circ}\text{C}$

### ELECTRICAL CHARACTERISTICS ( $T_a=25^{\circ}\text{C}$ unless otherwise noted)

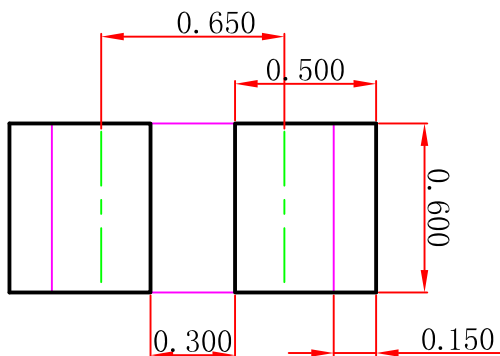
Parameter	Symbol	Test Condition	Min	Type	Max	Unit
Reverse voltage	$V_{BR}$	$I_R = 100\mu\text{A}$	30			V
Forward voltage	$V_F$	$I_F = 10\text{mA}$			0.35	V
		$I_F = 200\text{mA}$		0.43	0.5	V
Reverse current	$I_R$	$V_R = 10\text{V}$			20	$\mu\text{A}$
		$V_R = 30\text{V}$		10	30	$\mu\text{A}$

# Typical Characteristics



**PACKAGE OUTLINE AND PAD LAYOUT INFORMATION**
**DFNWB1.0×0.6-02L-E Package Outline Dimensions**


Symbol	Dimensions In Millimeters (mm)		
	Min.	Typ.	Max.
A	0.44	0.47	0.50
A1	0.00	0.03	0.05
D	0.95	1.00	1.08
E	0.55	0.60	0.68
b	0.40	0.50	0.60
e	-	0.65	-
L	0.20	0.25	0.30
L1	0.05 REF.		

**DFNWB1.0×0.6-02L-E Suggested Pad Layout**

**Note:**

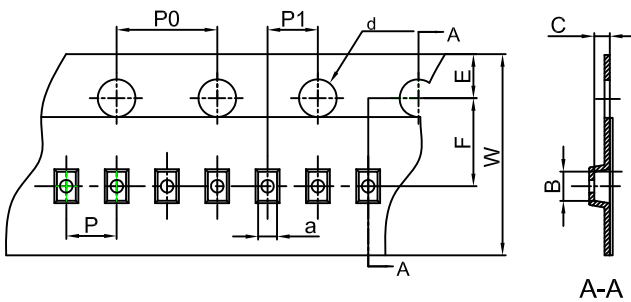
1. Controlling dimension: in millimeters.
2. General tolerance:  $\pm 0.050$  mm.
3. The pad layout is for reference purposes only.

**NOTICE**

JSCJ reserves the right to make modifications, enhancements, improvements, corrections or other changes without further notice to any product herein. JSCJ does not assume any liability arising out of the application or use of any product described herein.

**TAPE AND REEL INFORMATION**

**DFN/FBP(1.0×0.6×0.5) Embossed Carrier Tape**

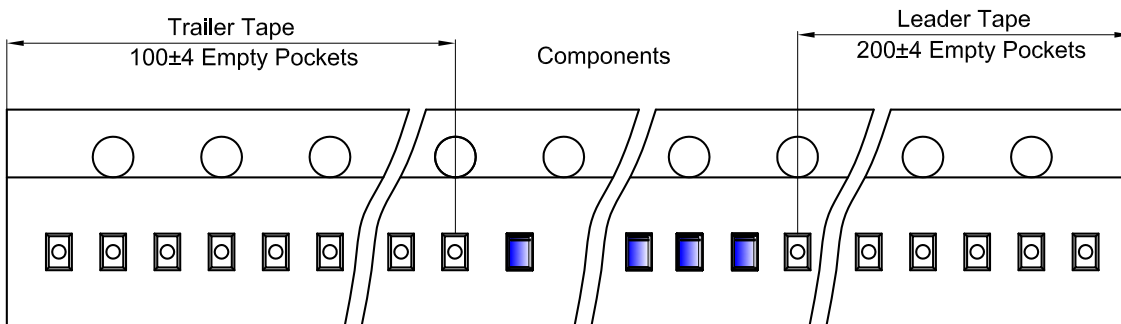


**Packaging Description:**

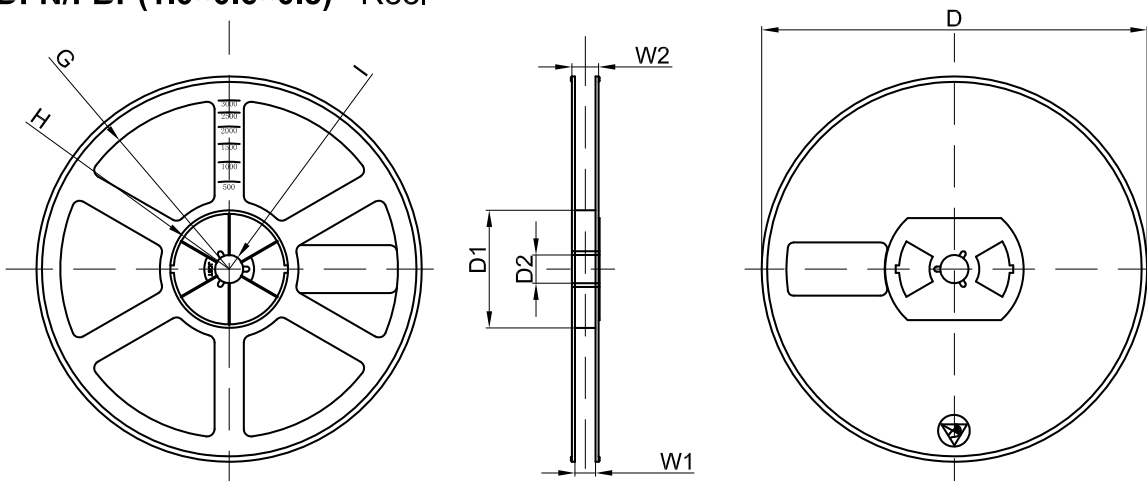
**DFN/FBP(1.0×0.6×0.5)** parts are shipped in tape. The carrier tape is made from a dissipative (carbon filled) polycarbonate resin. The cover tape is a multilayer film (Heat Activated Adhesive in nature) primarily composed of polyester film, adhesive layer, sealant, and anti-static sprayed agent. These reeled parts in standard option are shipped with 10,000 units per 7" or 17.8cm diameter reel. The reels are clear in color and is made of polystyrene plastic (anti-static coated).

Dimensions are in millimeter										
Pkg type	a	B	C	d	E	F	P0	P	P1	W
DFN/FBP(1.0×0.6×0.5)	0.66	1.15	0.66	Ø1.50	1.75	3.50	4.00	2.00	2.00	8.00

**DFN/FBP(1.0×0.6×0.5) Tape Leader and Trailer**



**DFN/FBP(1.0×0.6×0.5) Reel**



Dimensions are in millimeter								
Reel Option	D	D1	D2	G	H	I	W1	W2
7" Dia	Ø178.00	54.40	13.00	R78.00	R25.60	R6.50	9.50	12.30

REEL	Reel Size	Box	Box Size(mm)	Carton	Carton Size(mm)	G.W.(kg)
10000 pcs	7 inch	150,000 pcs	203×203×195	600,000 pcs	438×438×220	