



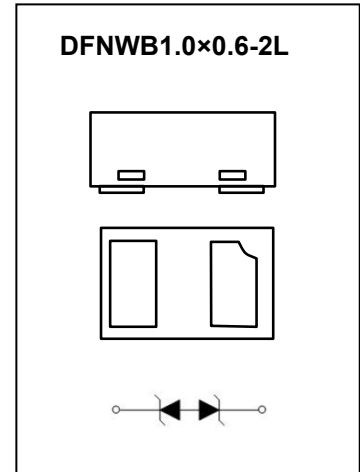
DFNWB1.0×0.6-2L Plastic-Encapsulate Diodes

ESDBNC3V3B1 Bi-direction ESD Protection Diode

DESCRIPTION

Designed to protect voltage sensitive electronic components from ESD and other transients. Excellent clamping capability, low leakage, low capacitance, and fast response time provide best in class protection on designs that are exposed to ESD.

The combination of small size, low capacitance, and high level of ESD protection makes them a flexible solution for applications such as HDMI, Display Port TM, and MDDI interfaces. It is designed to replace multiplayer varistors (MLV) in consumer equipments applications such as mobile phone, notebook, PAD, STB, LCD TV etc.



FEATURES

- Bi-directional ESD protection of one line
- Low reverse stand-off voltage: 3.3V
- Low reverse clamping voltage
- Low leakage current
- Excellent package: 1.0mm×0.6mm×0.5mm
- Fast response time
- JESD22-A114-B ESD Rating of class 3B per human body model
- IEC 61000-4-2 Level 4 ESD protection

APPLICATIONS

- Computers and peripherals
- High speed data lines
- Audio and video equipment
- Cellular handsets and accessories
- Portable electronics
- USB interfaces
- Other electronics equipments communication systems

MARKING



NC = Device code

Front side

MAXIMUM RATINGS ($T_a=25^{\circ}\text{C}$ unless otherwise noted)

| Parameter | Symbol | Limit | Unit |
|--|------------------------|------------|--------------------|
| IEC 61000-4-2 ESD Voltage | Air Model | ± 30 | kV |
| | Contact Model | ± 30 | |
| | Per Human Body Model | ± 30 | |
| | Machine Model | ± 0.4 | |
| JESD22-A114-B ESD Voltage | $V_{\text{ESD}}^{(1)}$ | | |
| ESD Voltage | | | |
| Peak Pulse Power | $P_{\text{PP}}^{(2)}$ | 90 | W |
| Peak Pulse Current | $I_{\text{PP}}^{(2)}$ | 10 | A |
| Lead Solder Temperature – Maximum (10 Second Duration) | T_L | 260 | $^{\circ}\text{C}$ |
| Operation Junction and Storage Temperature Range | T_J, T_{stg} | -55 ~ +150 | $^{\circ}\text{C}$ |

(1).Device stressed with ten non-repetitive ESD pulses.

(2).Non-repetitive current pulse 8/20 μs exponential decay waveform according to IEC61000-4-5.

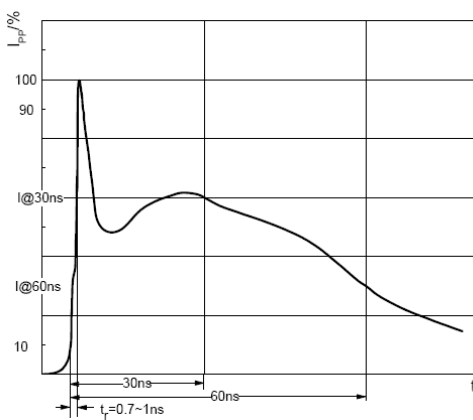
ESD standards compliance

IEC61000-4-2 Standard

| Contact Discharge | | Air Discharge | |
|-------------------|-----------------|---------------|-----------------|
| Level | Test Voltage kV | Level | Test Voltage kV |
| 1 | 2 | 1 | 2 |
| 2 | 4 | 2 | 4 |
| 3 | 6 | 3 | 8 |
| 4 | 8 | 4 | 15 |

JESD22-A114-B Standard

| ESD Class | Human Body Discharge V |
|-----------|------------------------|
| 0 | 0~249 |
| 1A | 250~499 |
| 1B | 500~999 |
| 1C | 1000~1999 |
| 2 | 2000~3999 |
| 3A | 4000~7999 |
| 3B | 8000~15999 |



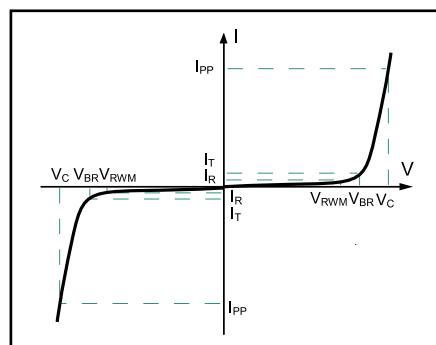
ESD pulse waveform according to IEC61000-4-2



8/20 μs pulse waveform according to IEC 61000-4-5

ELECTRICAL PARAMETER

| Symbol | Parameter |
|-----------|-------------------------------------|
| V_C | Clamping Voltage @ I_{PP} |
| I_{PP} | Peak Pulse Current |
| V_{BR} | Breakdown Voltage @ I_T |
| I_T | Test Current |
| I_R | Reverse Leakage Current @ V_{RWM} |
| V_{RWM} | Reverse Standoff Voltage |



V-I characteristics for a Bi-directional TVS

ELECTRICAL CHARACTERISTICS ($T_a=25^{\circ}C$ unless otherwise specified)

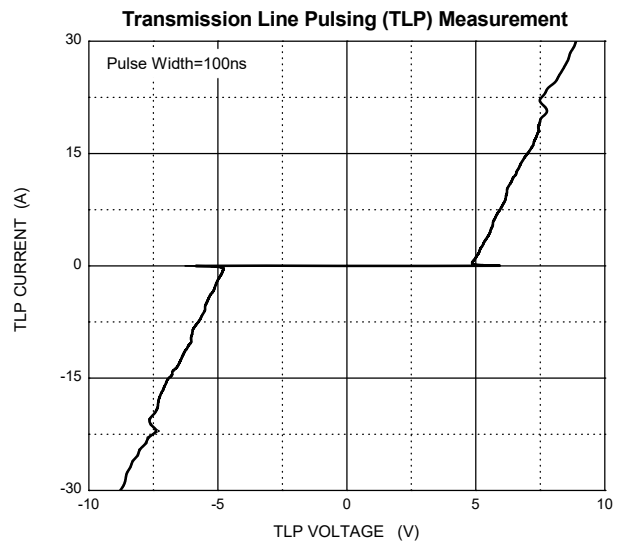
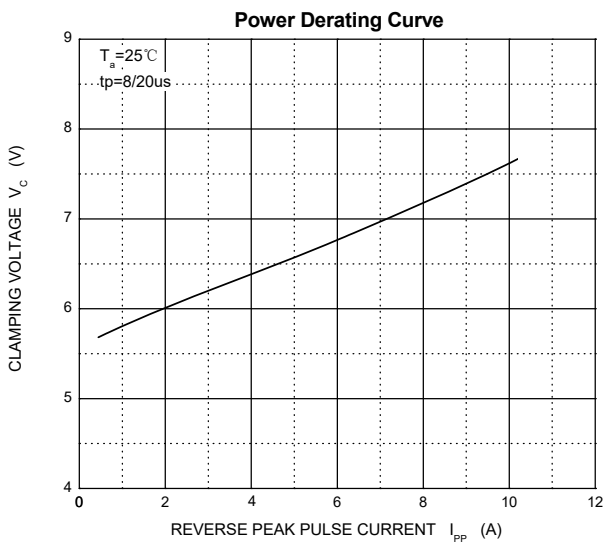
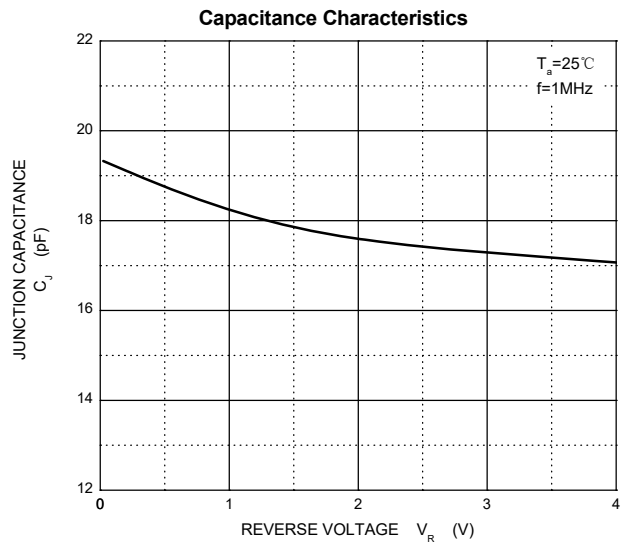
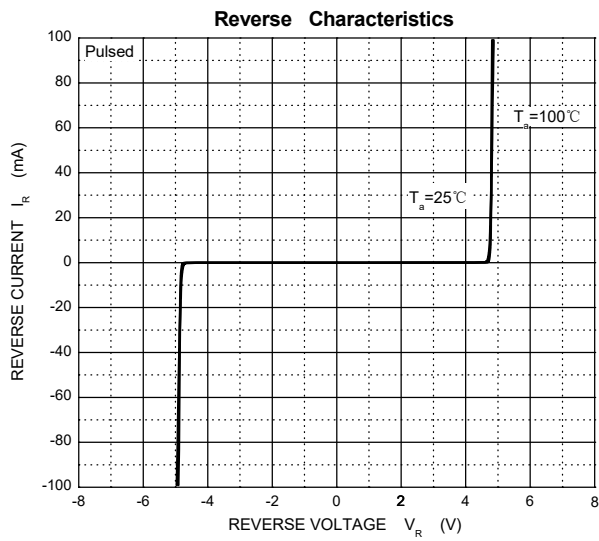
| Parameter | Symbol | Test conditions | Min | Typ | Max | Unit |
|---------------------------|-----------------|---|-----|-----------|-----|----------|
| Reverse stand off voltage | $V_{RWM}^{(1)}$ | | | | 3.3 | V |
| Reverse leakage current | I_R | $V_{RWM}=3.3V$ | | | 0.2 | μA |
| Breakdown voltage | $V_{(BR)}$ | $I_T=1mA$ | 4 | | 6.5 | V |
| Clamping voltage | V_C | $I_{PP}=1A$ | | | 6.5 | V |
| | | $I_{PP}=4A$ | | | 7.5 | V |
| | | $I_{PP}=10A$ | | | 9 | V |
| TLP clamping voltage | V_C | $I_{TLP} = \pm 8A$, Pulse Width=100ns | | ± 6.0 | | V |
| | | $I_{TLP} = \pm 16A$, Pulse Width=100ns | | ± 7.2 | | V |
| Dynamic resistance | $R_{DYN}^{(3)}$ | Pulse Width=100ns | | 0.15 | | Ω |
| Junction capacitance | C_J | $V_R=0V, f=1MHz$ | | 19.3 | 25 | pF |

(1).Other voltages available upon request.

(2).Non-repetitive current pulse 8/20 μs exponential decay waveform according to IEC61000-4-5.

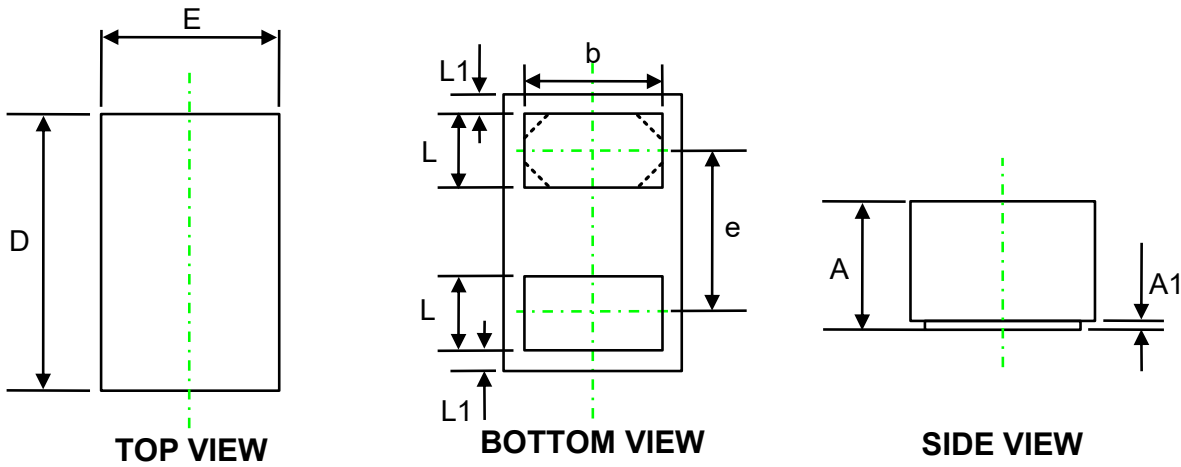
(3). R_{DYN} is calculated from 8A to 16A.

TYPICAL CHARACTERISTICS



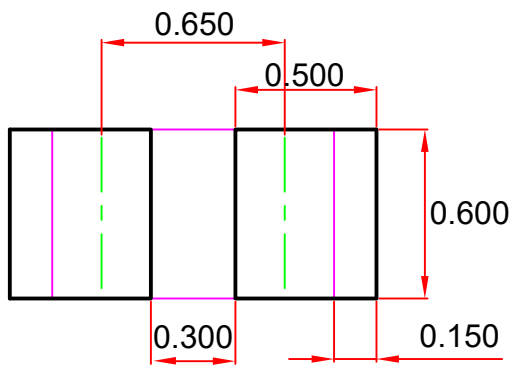
PACKAGE OUTLINE AND PAD LAYOUT INFORMATION

DFNWB1.0×0.6-2L Package Outline Dimensions



| Symbol | Dimensions In Millimeters (mm) | | |
|--------|--------------------------------|------|------|
| | Min. | Typ. | Max. |
| A | 0.40 | 0.45 | 0.50 |
| A1 | 0.00 | 0.03 | 0.05 |
| D | 0.95 | 1.00 | 1.08 |
| E | 0.55 | 0.60 | 0.68 |
| b | 0.40 | 0.50 | 0.60 |
| e | - | 0.65 | - |
| L | 0.20 | 0.25 | 0.30 |
| L1 | 0.05 REF. | | |

DFNWB1.0×0.6-2L Suggested Pad Layout



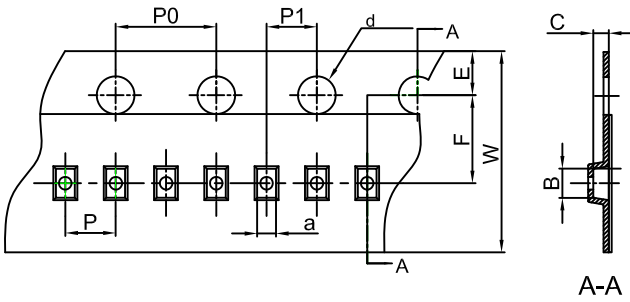
Note:
 1. Controlling dimension: in millimeters.
 2. General tolerance: ± 0.050mm.
 3. The pad layout is for reference purposes only.

NOTICE

JSCJ reserves the right to make modifications, enhancements, improvements, corrections or other changes without further notice to any product herein. JSCJ does not assume any liability arising out of the application or use of any product described herein.

TAPE AND REEL INFORMATION

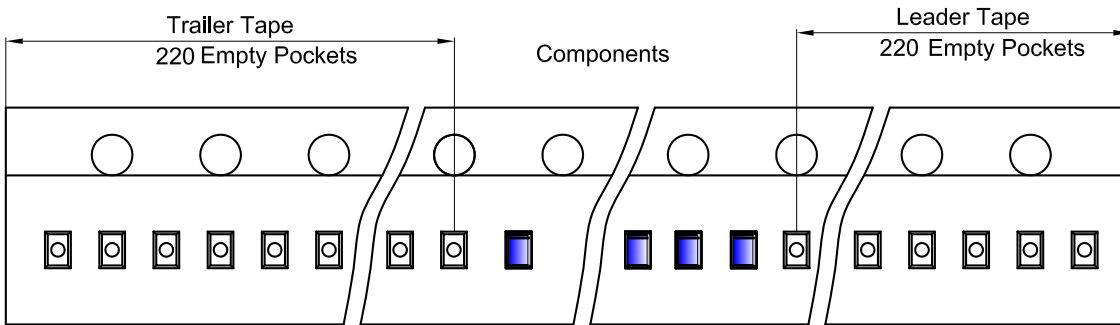
DFN/FBP(1.0×0.6×0.5) Embossed Carrier Tape



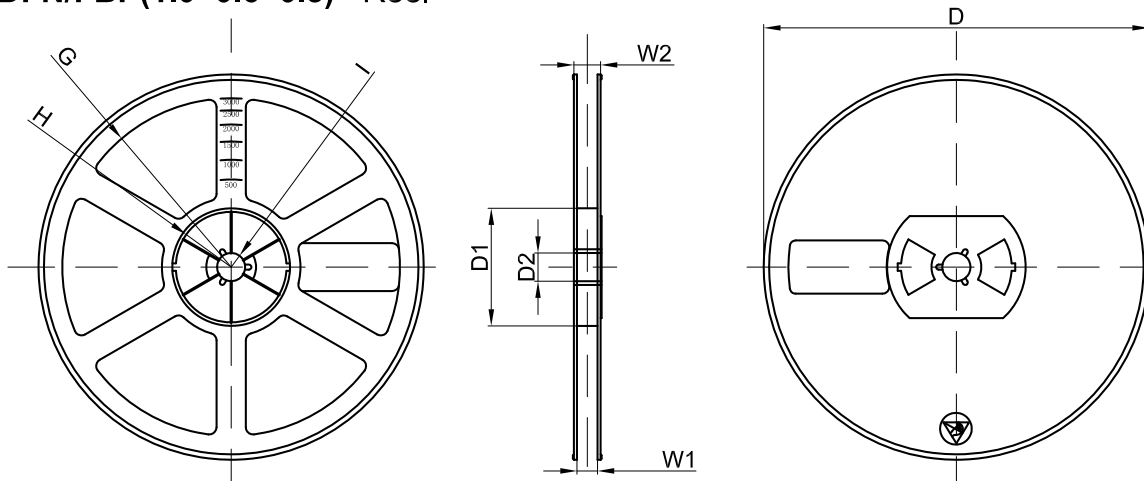
Packaging Description:
DFN/FBP(1.0×0.6×0.5) parts are shipped in tape. The carrier tape is made from a dissipative (carbon filled) polycarbonate resin. The cover tape is a multilayer film (Heat Activated Adhesive in nature) primarily composed of polyester film, adhesive layer, sealant, and anti-static sprayed agent. These reeled parts in standard option are shipped with 10,000 units per 7" or 17.8cm diameter reel. The reels are clear in color and is made of polystyrene plastic (anti-static coated).

| Dimensions are in millimeter | | | | | | | | | | |
|------------------------------|------|------|------|-------|------|------|------|------|------|------|
| Pkg type | a | B | C | d | E | F | P0 | P | P1 | W |
| DFN/FBP(1.0×0.6×0.5) | 0.66 | 1.15 | 0.66 | Ø1.50 | 1.75 | 3.50 | 4.00 | 2.00 | 2.00 | 8.00 |

DFN/FBP(1.0×0.6×0.5) Tape Leader and Trailer



DFN/FBP(1.0×0.6×0.5) Reel



| Dimensions are in millimeter | | | | | | | | |
|------------------------------|---------|-------|-------|--------|--------|-------|------|-------|
| Reel Option | D | D1 | D2 | G | H | I | W1 | W2 |
| 7" Dia | Ø178.00 | 54.40 | 13.00 | R78.00 | R25.60 | R6.50 | 9.50 | 12.30 |

| REEL | Reel Size | Box | Box Size(mm) | Carton | Carton Size(mm) | G.W.(kg) |
|-----------|-----------|-------------|--------------|-------------|-----------------|----------|
| 10000 pcs | 7 inch | 150,000 pcs | 203×203×195 | 600,000 pcs | 438×438×220 | |