



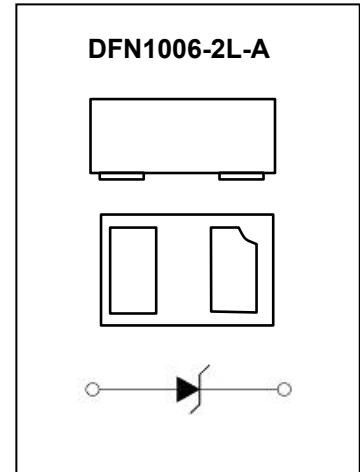
## DFN1006-2L-A Plastic-Encapsulate Diodes

### ESDUNJ4V8B1 Uni-direction ESD Protection Diode

#### DESCRIPTION

Designed to protect voltage sensitive electronic components from ESD and other transients. Excellent clamping capability, low leakage, low capacitance, and fast response time provide best in class protection on designs that are exposed to ESD.

The combination of small size, low capacitance, and high level of ESD protection makes them a flexible solution for applications such as HDMI, Display Port TM, and MDDI interfaces. It is designed to replace multiplayer varistors (MLV) in consumer equipments applications such as mobile phone, notebook, PAD, STB, LCD TV etc.



#### FEATURES

- Uni-directional ESD protection of one line
- Low reverse stand-off voltage: 4.8V
- Low reverse clamping voltage
- Low leakage current
- Excellent package:1.02mm×0.62mm×0.45mm
- Fast response time
- JESD22-A114-B ESD Rating of class 3B per human body model
- IEC 61000-4-2 Level 4 ESD protection

#### APPLICATIONS

- Computers and peripherals
- High speed data lines
- Audio and video equipment
- Cellular handsets and accessories
- Portable electronics
- USB interfaces
- Other electronics equipments communication systems

#### MARKING



Front side

WI = Device code

The marking bar indicates the cathode

**MAXIMUM RATINGS (  $T_a=25^{\circ}\text{C}$  unless otherwise noted )**

Parameter	Symbol	Limit	Unit
IEC 61000-4-2 ESD Voltage	Air Model	$\pm 30$	
	Contact Model	$\pm 30$	
	Per Human Body Model	$\pm 30$	
	Machine Model	$\pm 0.4$	
JESD22-A114-B ESD Voltage	$V_{\text{ESD}}^{(1)}$		
ESD Voltage			
Peak Pulse Power	$P_{\text{PP}}^{(2)}$	800	W
Peak Pulse Current	$I_{\text{PP}}^{(2)}$	80	A
Lead Solder Temperature – Maximum (10 Second Duration)	$T_L$	260	$^{\circ}\text{C}$
Operation Junction and Storage Temperature Range	$T_J, T_{\text{stg}}$	-55 ~ +150	$^{\circ}\text{C}$

(1).Device stressed with ten non-repetitive ESD pulses.

(2).Non-repetitive current pulse 8/20 $\mu\text{s}$  exponential decay waveform according to IEC61000-4-5.

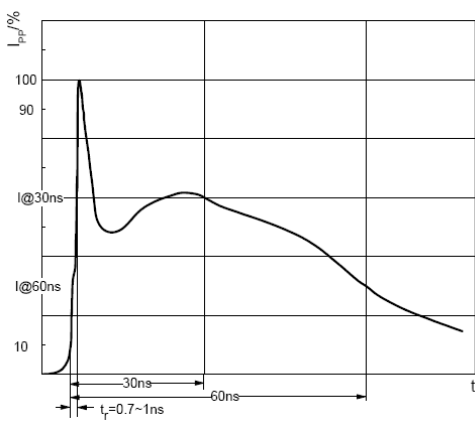
**ESD standards compliance**

**IEC61000-4-2 Standard**

Contact Discharge		Air Discharge	
Level	Test Voltage kV	Level	Test Voltage kV
1	2	1	2
2	4	2	4
3	6	3	8
4	8	4	15

**JESD22-A114-B Standard**

ESD Class	Human Body Discharge V
0	0~249
1A	250~499
1B	500~999
1C	1000~1999
2	2000~3999
3A	4000~7999
3B	8000~15999



ESD pulse waveform according to IEC61000-4-2



8/20 $\mu\text{s}$  pulse waveform according to IEC 61000-4-5

**ELECTRICAL PARAMETER**

Symbol	Parameter
$V_C$	Clamping Voltage @ $I_{PP}$
$I_{PP}$	Peak Pulse Current
$V_{BR}$	Breakdown Voltage @ $I_T$
$I_T$	Test Current
$I_R$	Reverse Leakage Current @ $V_{RWM}$
$V_{RWM}$	Reverse Standoff Voltage
$V_F$	Forward Voltage@ $I_F$
$I_F$	Forward Current



V-I characteristics for a uni-directional ESD Protection Diode

**ELECTRICAL CHARACTERISTICS( $T_a=25^\circ\text{C}$  unless otherwise specified)**

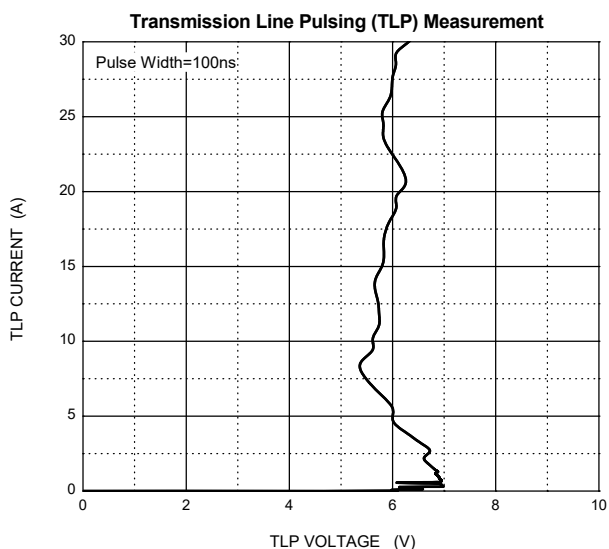
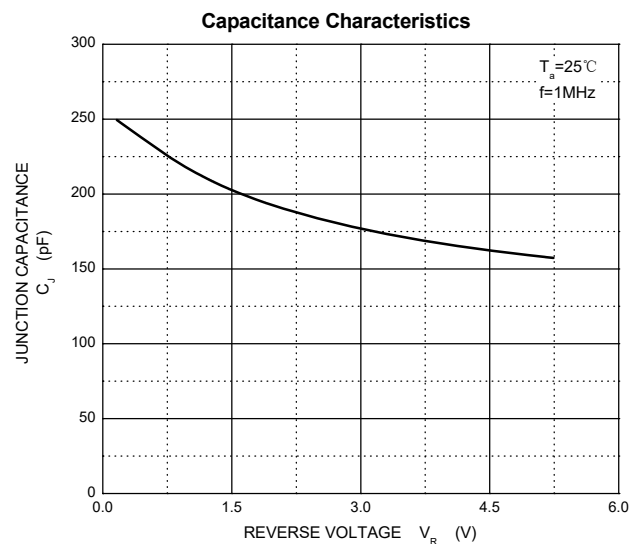
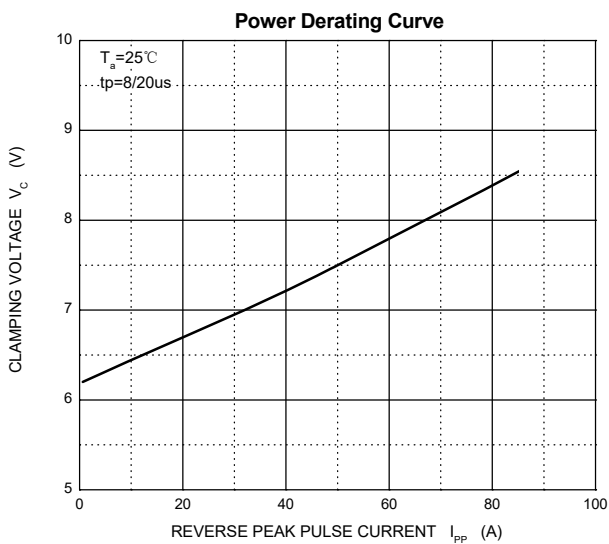
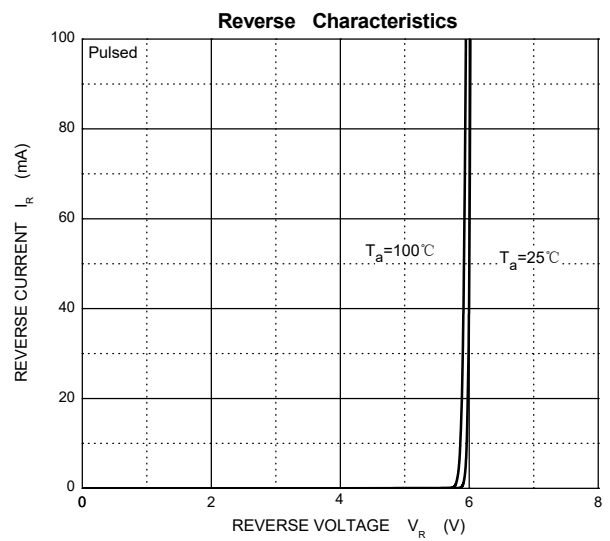
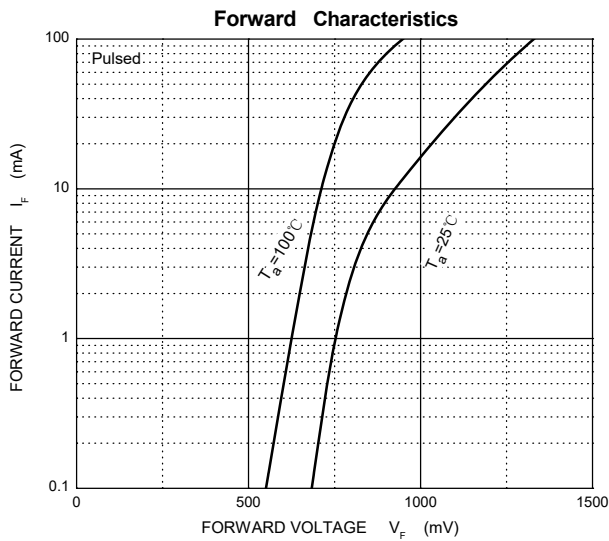
Parameter	Symbol	Test conditions	Min	Typ	Max	Unit
Reverse stand off voltage	$V_{RWM}^{(1)}$				4.8	V
Reverse leakage current	$I_R$	$V_{RWM}=4.8\text{V}$			0.5	$\mu\text{A}$
Breakdown voltage	$V_{(BR)}$	$I_T=1\text{mA}$	5.0		6.5	V
Forward voltage	$V_F$	$I_F=10\text{mA}$			1.4	V
Clamping voltage	$V_C^{(2)}$	$I_{PP}=40\text{A}$		7.0	8.8	V
		$I_{PP}=80\text{A}$		8.8	10	V
TLP clamping voltage	$V_C$	$I_{TLP}=8\text{A}$ , Pulse Width=100ns		5.4		V
		$I_{TLP}=16\text{A}$ , Pulse Width=100ns		5.8		V
Dynamic resistance	$R_{DYN}^{(3)}$	Pulse Width=100ns		0.05		$\Omega$
Junction capacitance	$C_J$	$V_R=0\text{V}$ , $f=1\text{MHz}$		250	400	pF

(1).Other voltages available upon request.

(2).Non-repetitive current pulse 8/20 $\mu\text{s}$  exponential decay waveform according to IEC61000-4-5.

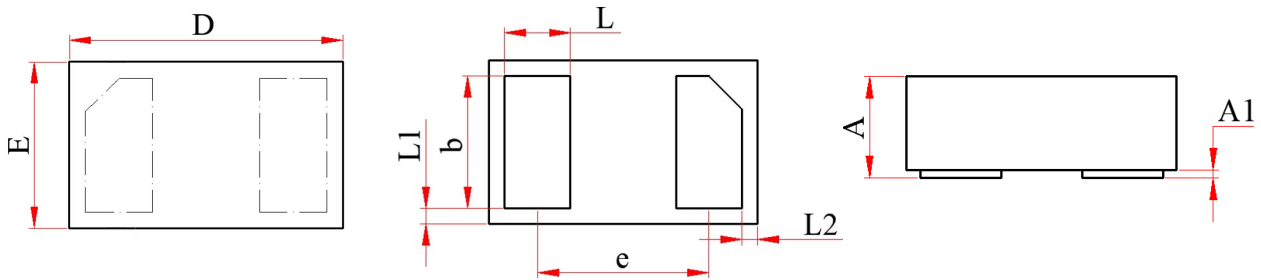
(3). $R_{DYN}$  is calculated from 8A to 16A.

TYPICAL CHARACTERISTICS



**PACKAGE OUTLINE AND PAD LAYOUT INFORMATION**

DFN1006-2L-A Package Outline Dimensions



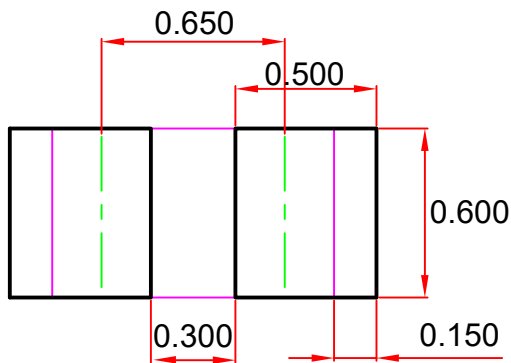
Top View

Bottom View

Side View

Symbol	Dimension In Millimeters			Dimension In Inches		
	Min	Typ	Max	Min	Typ	Max
A	0.400	--	0.500	0.016	--	0.020
A1	--	--	0.050	--	--	0.002
D	0.990	1.020	1.050	0.039	0.040	0.041
E	0.590	0.620	0.650	0.023	0.024	0.026
b	0.450	0.500	0.550	0.018	0.020	0.022
L	0.200	0.250	0.300	0.008	0.010	0.012
L1	0.020	0.060	0.100	0.001	0.002	0.004
L2	0.020	0.060	0.100	0.001	0.002	0.004
e	0.650 BSC			0.026 BSC		

DFN1006-2L-A Suggested Pad Layout



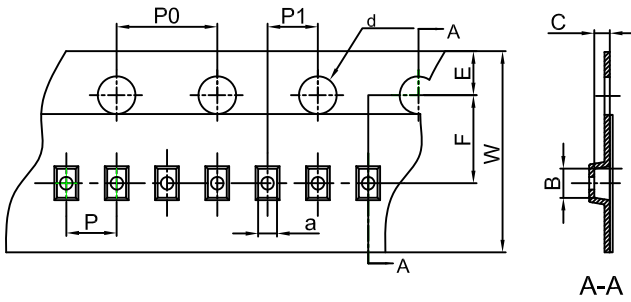
- Note:
1. Controlling dimension: in millimeters.
  2. General tolerance:  $\pm 0.050$ mm.
  3. The pad layout is for reference purposes only.

**NOTICE**

JSCJ reserves the right to make modifications, enhancements, improvements, corrections or other changes without further notice to any product herein. JSCJ does not assume any liability arising out of the application or use of any product described herein.

**TAPE AND REEL INFORMATION**

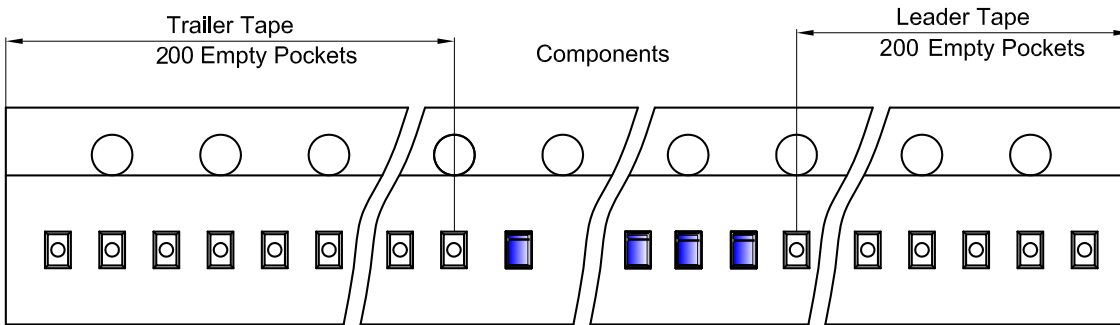
**DFN1006-2L-A Embossed Carrier Tape**



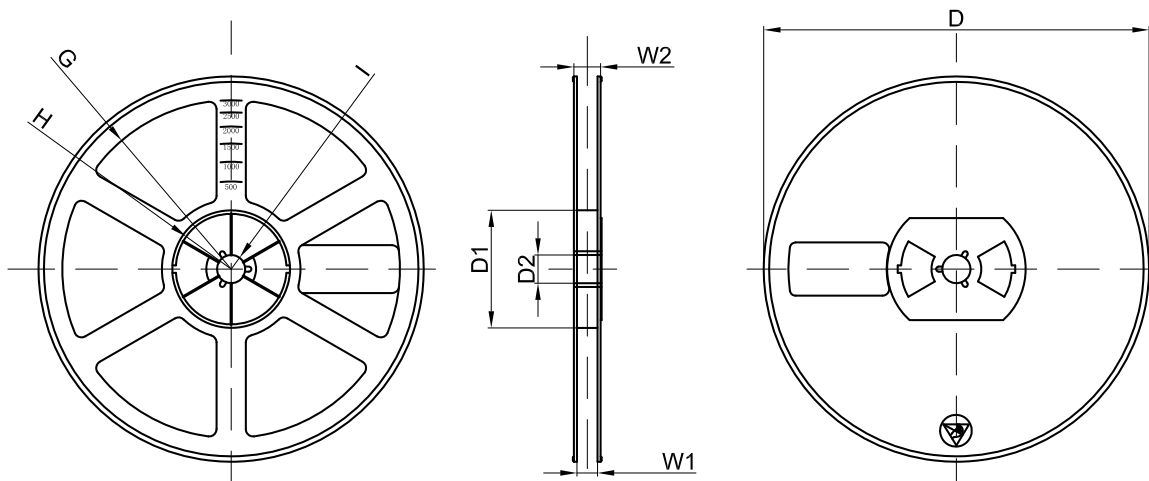
**Packaging Description:**  
 DFN1006-2L-A parts are shipped in tape. The carrier tape is made from a dissipative (carbon filled) polycarbonate resin. The cover tape is a multilayer film (Heat Activated Adhesive in nature) primarily composed of polyester film, adhesive layer, sealant, and anti-static sprayed agent. These reeled parts in standard option are shipped with 10,000 units per 7" or 17.8cm diameter reel. The reels are clear in color and is made of polystyrene plastic (anti-static coated).

Dimensions are in millimeter										
Pkg type	a	B	C	d	E	F	P0	P	P1	W
DFN/FBP(1.0×0.6×0.5)	0.72	1.17	0.55	Ø1.55	1.75	3.50	4.00	2.00	2.00	8.00

**DFN1006-2L-A Tape Leader and Trailer**



**DFN1006-2L-A Reel**



Dimensions are in millimeter								
Reel Option	D	D1	D2	G	H	I	W1	W2
7" Dia	Ø178.00	54.40	13.00	R78.00	R25.60	R6.50	9.50	12.30

REEL	Reel Size	Box	Box Size(mm)	Carton	Carton Size(mm)	G.W.(kg)
10000 pcs	7 inch	150,000 pcs	203×203×195	600,000 pcs	438×438×220	