

SOD-323 Plastic-Encapsulate Diodes

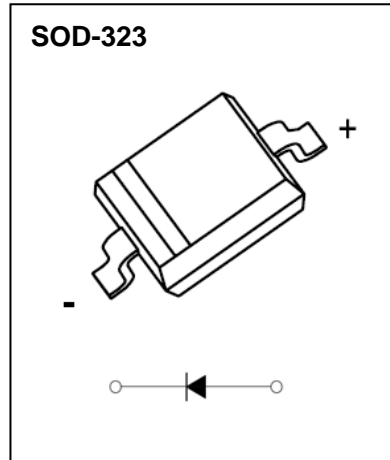
RB550V-30 Schottky Barrier Diode

FEATURES

- Small Surface Mounting Type
- Low V_F and I_R
- High Reliability

APPLICATIONS

- General Rectification



MARKING: SS



The marking bar indicates the cathode
Solid dot = Green molding compound device

MAXIMUM RATINGS ($T_a = 25^\circ\text{C}$ unless otherwise noted)

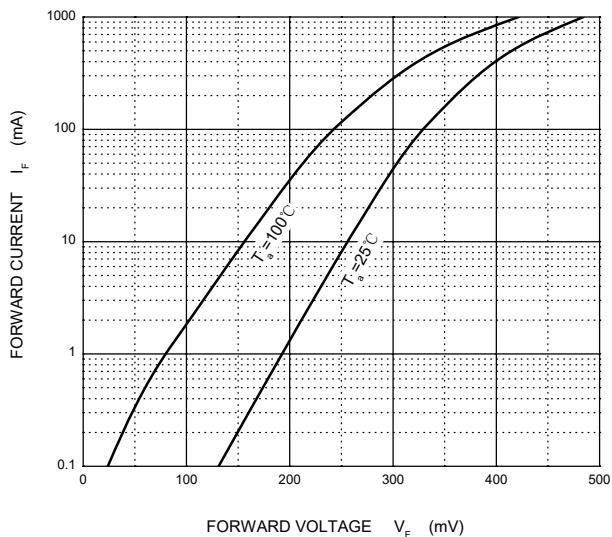
| Symbol | Parameter | Value | Unit |
|-----------------|---|------------|---------------------------|
| V_{RM} | Non-Repetitive Peak Reverse Voltage | 30 | V |
| I_O | Continuous Forward Current | 1 | A |
| I_{FSM} | Non-repetitive Peak Forward Surge Current@ $t=8.3\text{ms}$ | 3 | A |
| P_D | Power Dissipation | 200 | mW |
| $R_{\theta JA}$ | Thermal Resistance From Junction To Ambient | 500 | $^\circ\text{C}/\text{W}$ |
| T_j | Operating Junction Temperature Range | -40 ~ +125 | $^\circ\text{C}$ |
| T_{stg} | Storage Temperature Range | -55 ~ +150 | $^\circ\text{C}$ |

ELECTRICAL CHARACTERISTICS($T_a=25^\circ\text{C}$ unless otherwise specified)

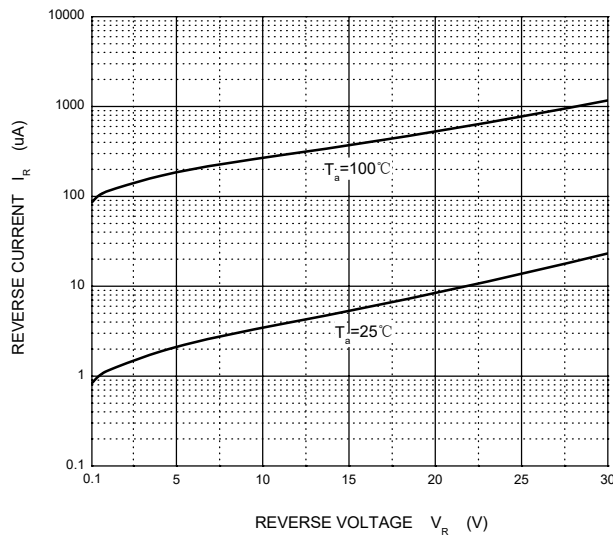
| Parameter | Symbol | Test conditions | Min | Typ | Max | Unit |
|-----------------|------------|--------------------|-----|-----|------|------|
| Reverse voltage | $V_{(BR)}$ | $I_R=1\text{mA}$ | 30 | | | V |
| Reverse current | I_R | $V_R=10\text{V}$ | | | 0.03 | mA |
| Forward voltage | V_F | $I_F=700\text{mA}$ | | | 0.49 | V |
| | | $I_F=1\text{A}$ | | | 0.52 | |

Typical Characteristics

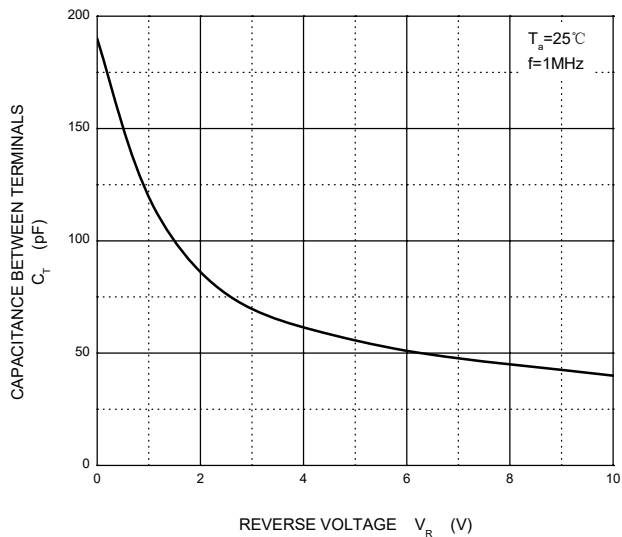
Forward Characteristics



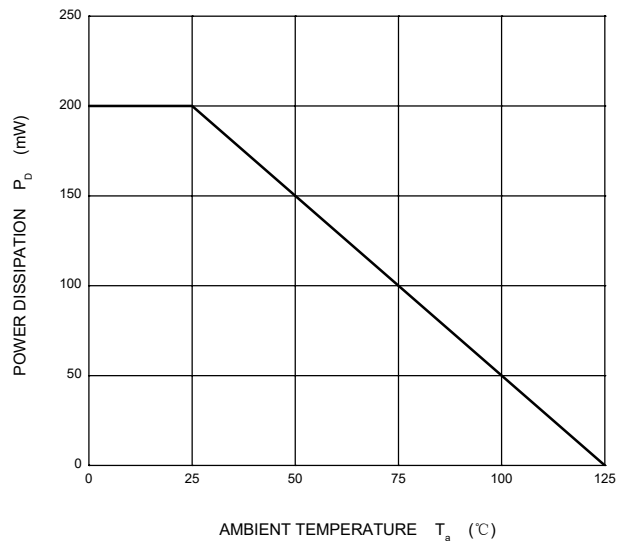
Reverse Characteristics



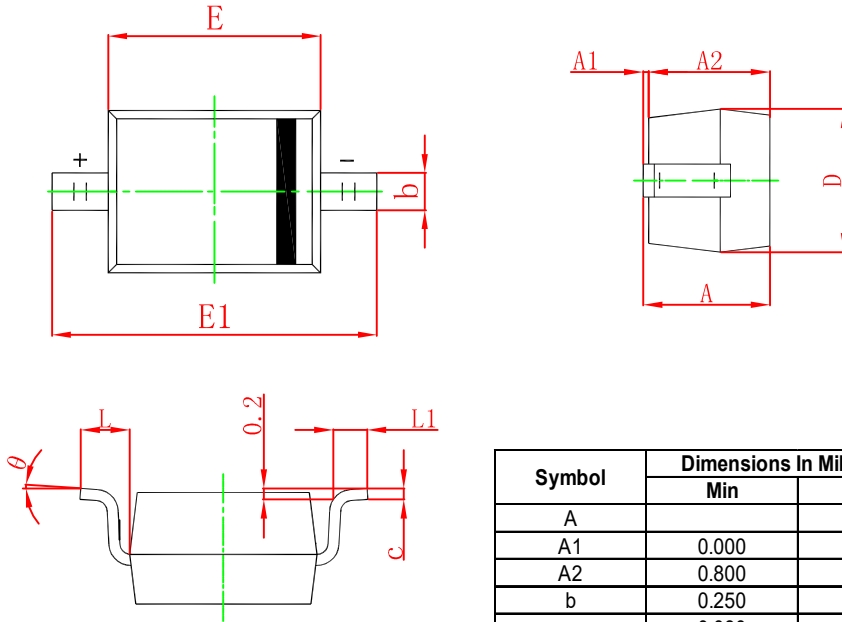
Capacitance Characteristics



Power Derating Curve

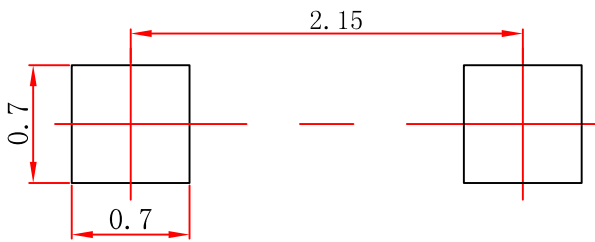


SOD-323 Package Outline Dimensions



| Symbol | Dimensions In Millimeters | | Dimensions In Inches | |
|--------|---------------------------|-------|----------------------|-------|
| | Min | Max | Min | Max |
| A | | 1.100 | | 0.043 |
| A1 | 0.000 | 0.100 | 0.000 | 0.004 |
| A2 | 0.800 | 1.000 | 0.031 | 0.039 |
| b | 0.250 | 0.350 | 0.010 | 0.014 |
| c | 0.080 | 0.150 | 0.003 | 0.006 |
| D | 1.200 | 1.400 | 0.047 | 0.055 |
| E | 1.600 | 1.800 | 0.063 | 0.071 |
| E1 | 2.500 | 2.750 | 0.098 | 0.108 |
| L | 0.475 REF | | 0.019 REF | |
| L1 | 0.250 | 0.400 | 0.010 | 0.016 |
| θ | 0° | | 8° | |

SOD-323 Suggested Pad Layout



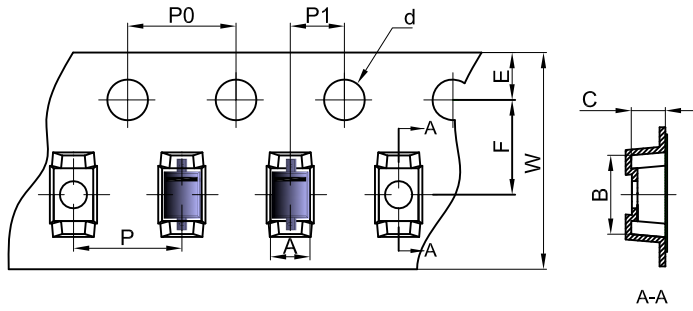
- Note:**
1. Controlling dimension: in millimeters.
 2. General tolerance: ± 0.05mm.
 3. The pad layout is for reference purposes only.

NOTICE

JSCJ reserves the right to make modifications, enhancements, improvements, corrections or other changes without further notice to any product herein. JSCJ does not assume any liability arising out of the application or use of any product described herein.

SOD-323 Tape and Reel

SOD-323 Embossed Carrier Tape

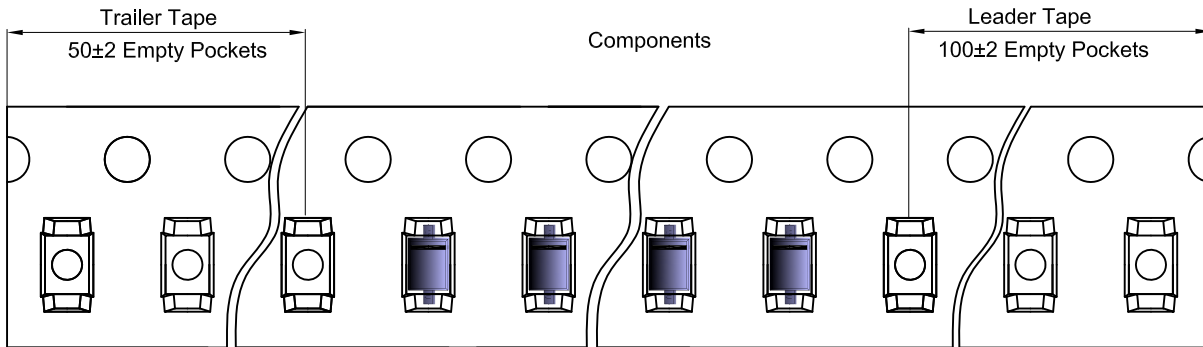


Packaging Description:

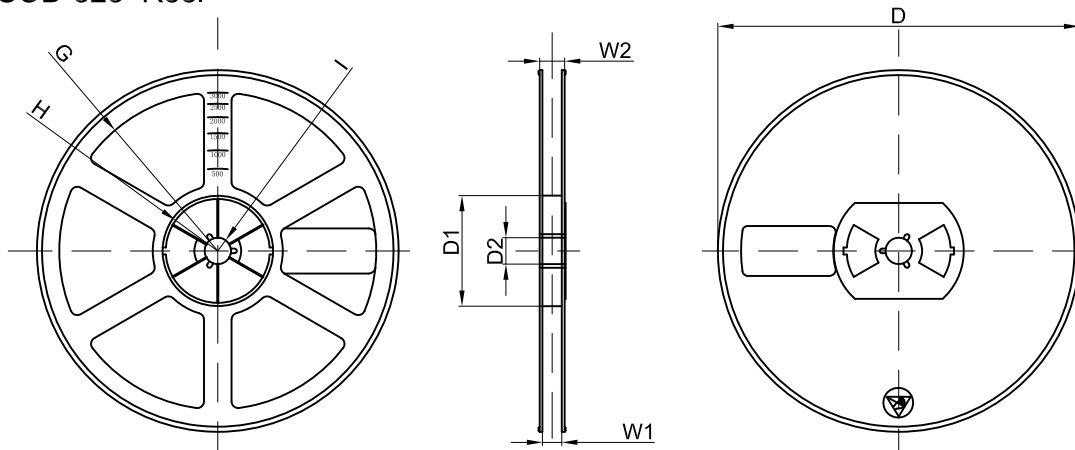
SOD-323 parts are shipped in tape. The carrier tape is made from a dissipative (carbon filled) polycarbonate resin. The cover tape is a multilayer film (Heat Activated Adhesive in nature) primarily composed of polyester film, adhesive layer, sealant, and anti-static sprayed agent. These reeled parts in standard option are shipped with 3,000 units per 7" or 17.8cm diameter reel. The reels are clear in color and is made of polystyrene plastic (anti-static coated).

| Dimensions are in millimeter | | | | | | | | | | |
|------------------------------|------|-----|------|-------|------|------|------|------|------|------|
| Pkg type | A | B | C | d | E | F | P0 | P | P1 | W |
| SOD-323 | 1.48 | 3.3 | 1.25 | Ø1.50 | 1.75 | 3.50 | 4.00 | 4.00 | 2.00 | 8.00 |

SOD-323 Tape Leader and Trailer



SOD-323 Reel



| Dimensions are in millimeter | | | | | | | | |
|------------------------------|---------|-------|-------|--------|--------|-------|------|-------|
| Reel Option | D | D1 | D2 | G | H | I | W1 | W2 |
| 7" Dia | Ø178.00 | 54.40 | 13.00 | R78.00 | R25.60 | R6.50 | 9.50 | 12.30 |

| REEL | Reel Size | Box | Box Size(mm) | Carton | Carton Size(mm) | G.W.(kg) |
|----------|-----------|------------|--------------|-------------|-----------------|----------|
| 3000 pcs | 7 inch | 45,000 pcs | 203×203×195 | 180,000 pcs | 438×438×220 | |