

SMBF Plastic-Encapsulate Diodes

RS4ABF THRU RS4MBF Fast Recovery Rectifier Diodes

Features

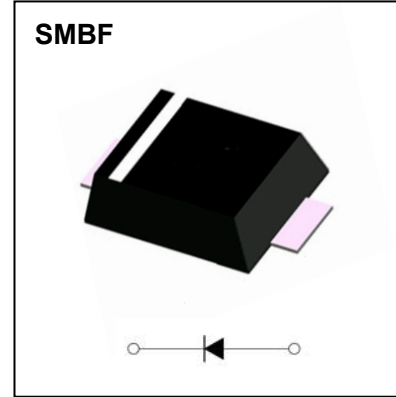
- $I_{F(AV)}$ 4A
- V_{RRM} 50V-1000V
- High surge current capability
- Polarity: Color band denotes cathode

Applications

- Rectifier

Marking

- RS4XBF
X : From A To M



Limiting Values(Absolute Maximum Rating)

Item	Symbol	Unit	Test Conditions	RS4						
				ABF	BBF	DBF	GBF	JBF	KBF	MBF
Repetitive Peak Reverse Voltage	V_{RRM}	V		50	100	200	400	600	800	1000
Maximum RMS Voltage	V_{RMS}	V		35	70	140	280	420	560	700
Average Forward Current	$I_{F(AV)}$	A	60Hz Half-sine wave, Resistance load, $T_L = 100^\circ\text{C}$	4.0						
Surge(Non-repetitive)Forward Current	I_{FSM}	A	60Hz Half-sine wave, 1 cycle, $T_a = 25^\circ\text{C}$	120						
Rating for Fusing	I^2t	A ² s	60Hz Half-sine wave, 1 cycle, $T_a = 25^\circ\text{C}$	59.8						
Junction Temperature	T_J	$^\circ\text{C}$		-55 ~ +150						
Storage Temperature	T_{STG}	$^\circ\text{C}$		-55 ~ +150						

Electrical Characteristics (T=25°C Unless otherwise specified)

Item	Symbol	Unit	Test Condition	RS4						
				ABF	BBF	DBF	GBF	JBF	KBF	MBF
Peak Forward Voltage	V_F	V	$I_F = 4.0\text{A}$	1.3						
Peak Reverse Current	I_{RRM1}	μA	$V_{RM} = V_{RRM}$	$T_a = 25^\circ\text{C}$						
	I_{RRM2}			$T_a = 125^\circ\text{C}$						
Thermal Resistance(Typical)	$R_{\theta J-A}$	$^\circ\text{C}/\text{W}$	Between junction and ambient	78						
Typical junction capacitance per diode	C_J	pF	Measured at 1.0MHz and applied reverse voltage of 4.0 volts.	68						
Maximum reverse recovery time	t_{rr}	ns	$I_F = 0.5\text{A}, I_R = 1.0\text{A}, I_{tr} = 0.25\text{A}$	150		250		500		

Typical Characteristics

FIG.1: FORWARD CURRENT DERATING CURVE

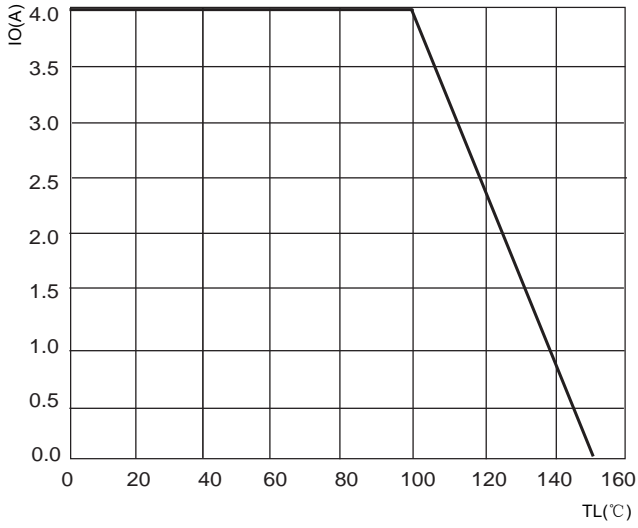


FIG.2: Surge Forward Current Capability

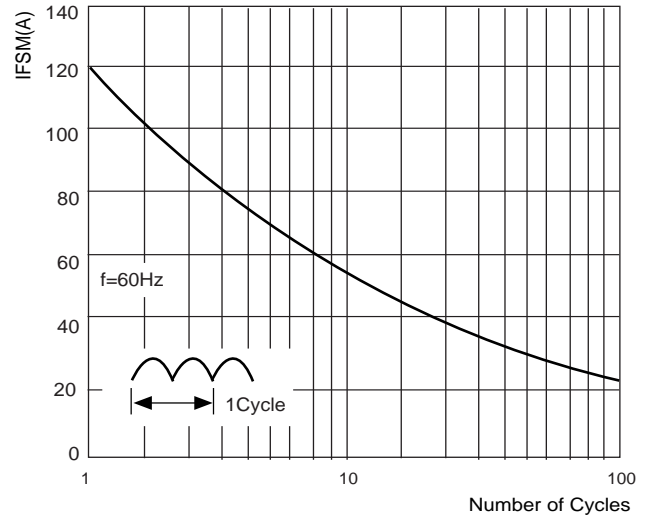


FIG.3: TYPICAL FORWARD CHARACTERISTICS

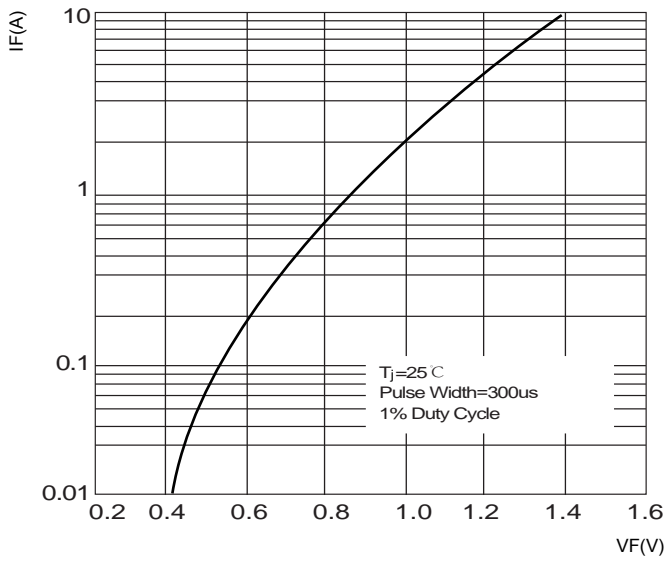


FIG.4 : TYPICAL REVERSE CHARACTERISTICS

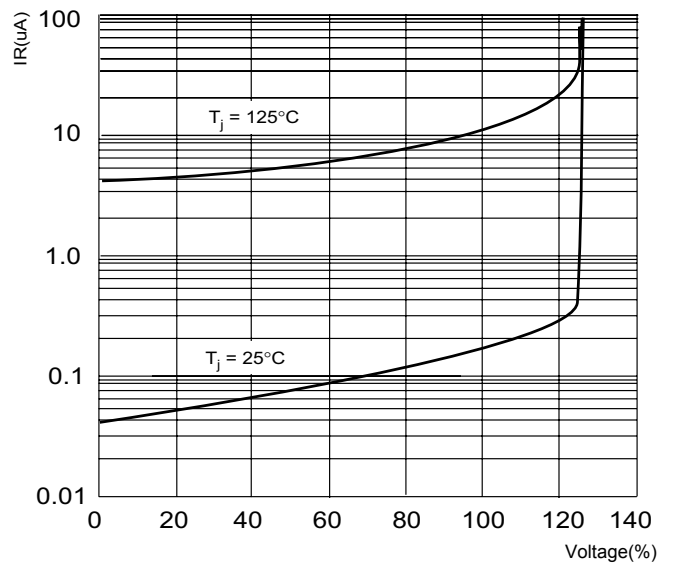
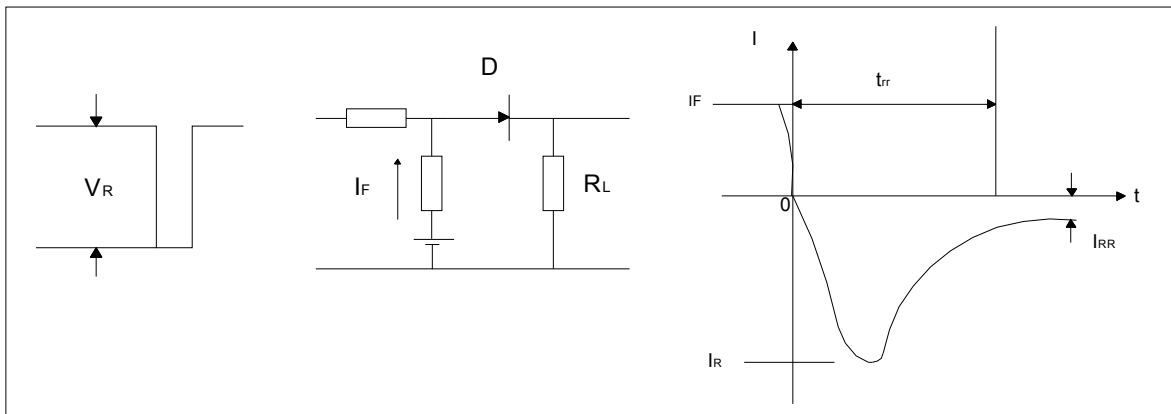
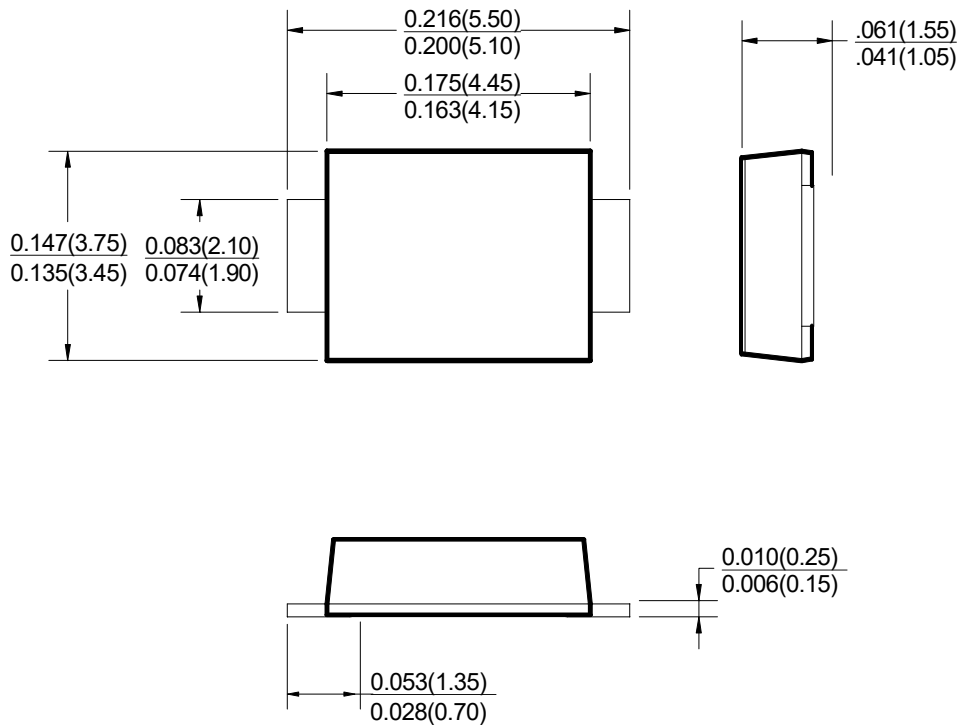


FIG.5: Diagram of circuit and Testing wave form of reverse recovery time

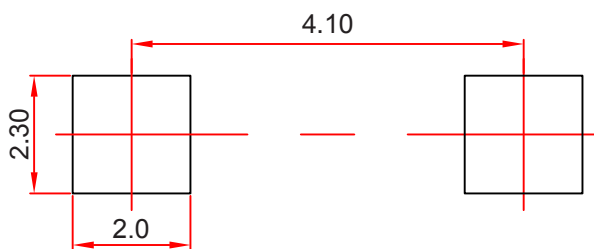


SMBF Package Outline Dimensions



Dimensions in inches and (millimeters)

SMBF Suggested Pad Layout



Note:

1. Controlling dimension: in millimeters.
2. General tolerance: ± 0.05 mm.
3. The pad layout is for reference purposes only.

NOTICE

JSCJ reserves the right to make modifications, enhancements, improvements, corrections or other changes without further notice to any product herein. JSCJ does not assume any liability arising out of the application or use of any product described herein.